

**MONOXIVENT<sup>®</sup>**

**Source Capture Systems**

**Operation and Maintenance Manual**

**Light Kit Tube Type Arm  
15000-TT**



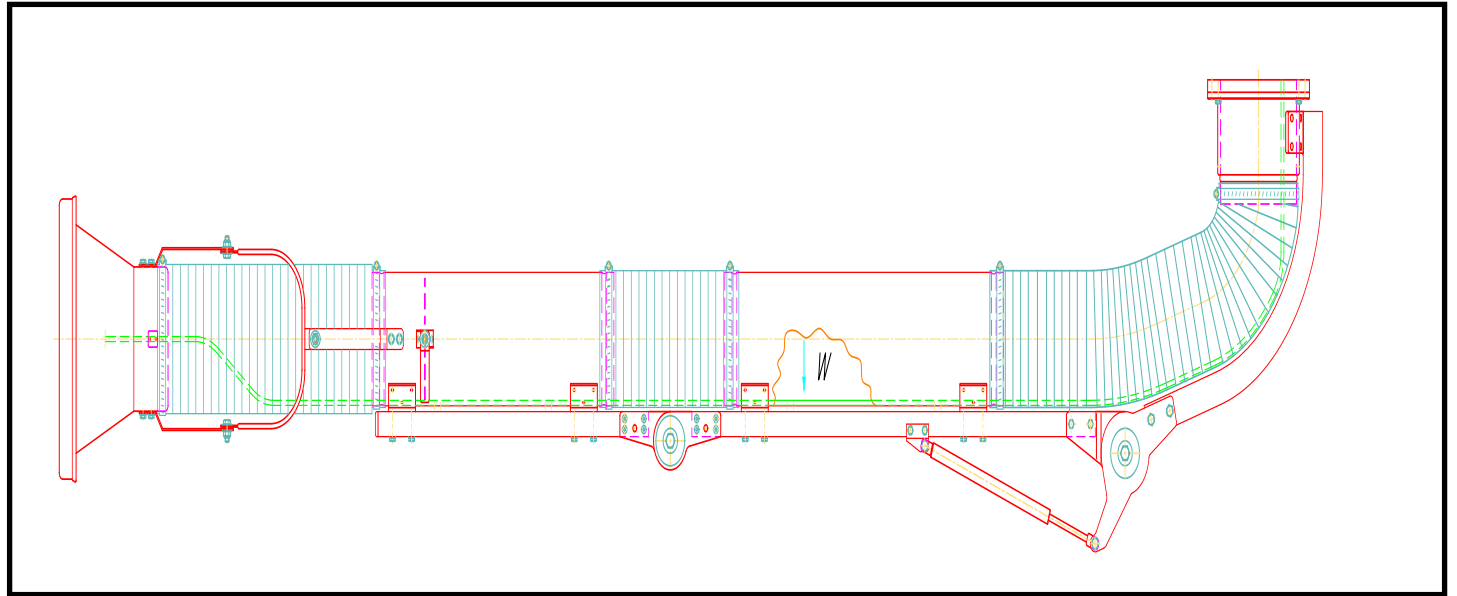
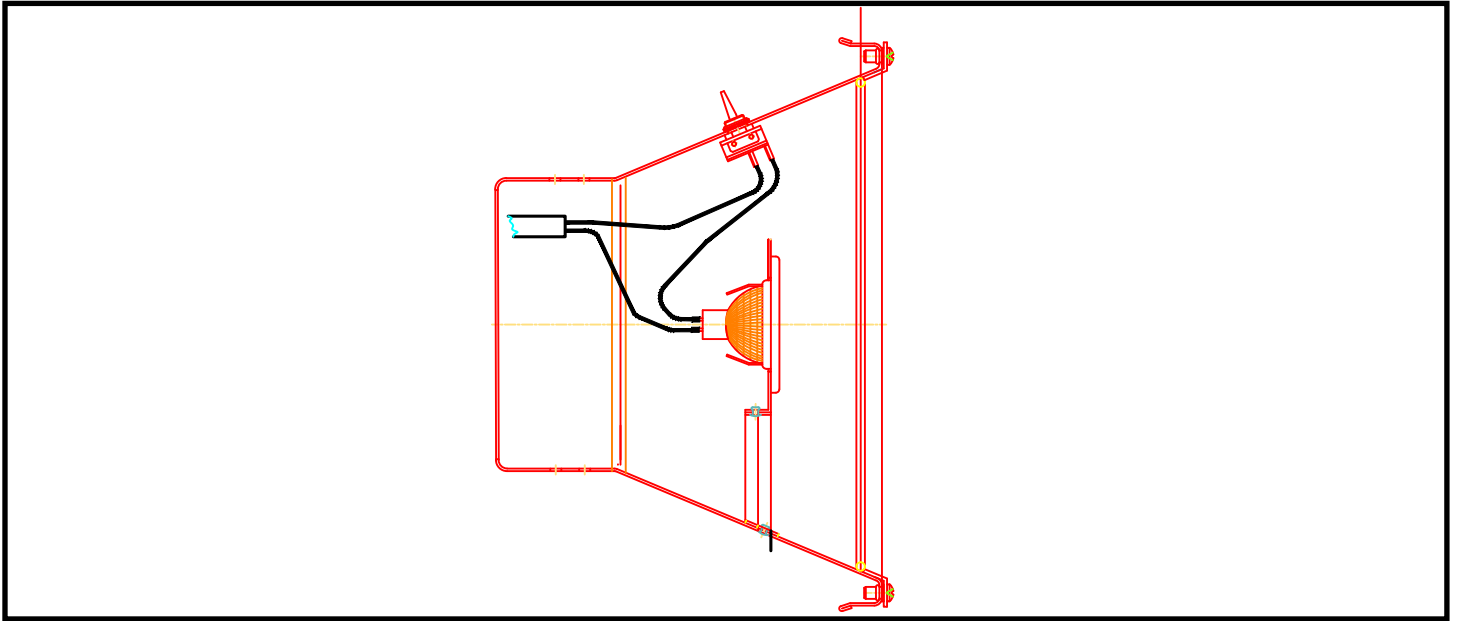
**MONOXIVENT - SOURCE CAPTURE SYSTEMS**

1306 Mill St., Rock Island, IL 61201  
877-608-4383 - [info@monoxivent.com](mailto:info@monoxivent.com)  
[monoxivent.com](http://monoxivent.com)

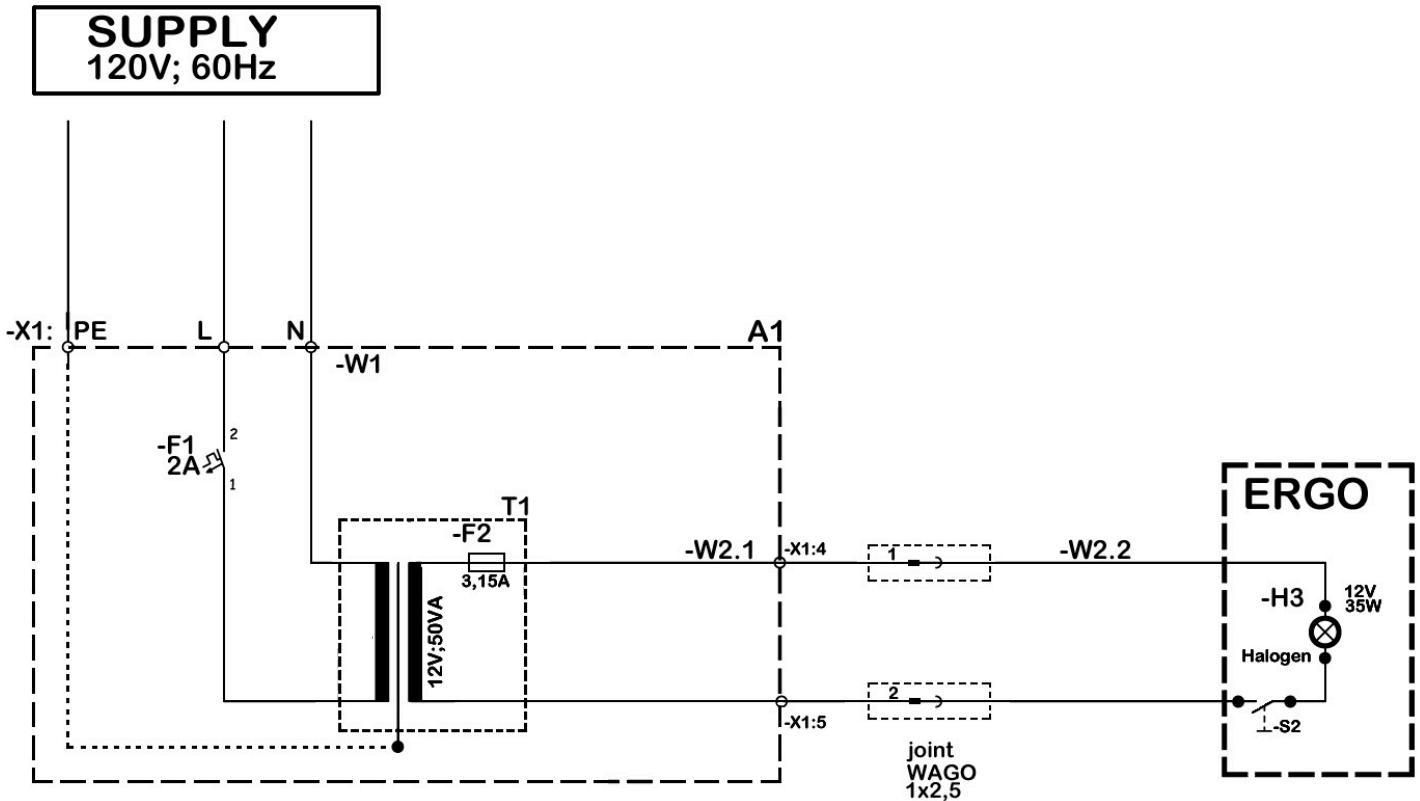
### Hood Light and Switch Installation:

The optional hood with 12V halogen light is controlled by a switch on the TT arm hood.

1. Discard wiring included with hood.
2. Replace with supplied wiring assembly.
3. Install light bulb in hole (socket) located in the hood impactor plate.
4. Squeeze and release metal retention ring over bulb to secure in place.
5. Connect lamp to lamp socket.
6. Attach connections to switch.
7. Feed wire through the TT arm by entering the hood and exiting through the hole in the swivel.
8. Attach hood to lower pipe hood joint base.



**Tube Type Light Kit Connection Diagram**



**Connection Diagram - 15000-TT**