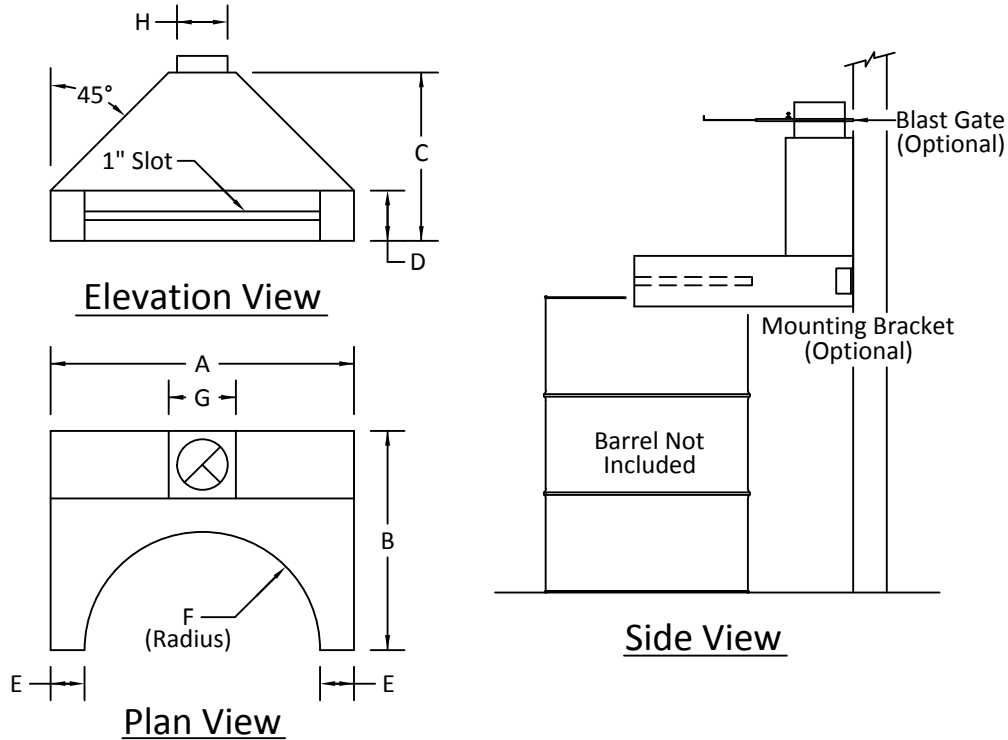


**TECHNICAL  
INFORMATION**

In the interest of continuing product improvement, we reserve the right to change models, specifications, and/or features without prejudice.

PROJECT: \_\_\_\_\_  
 LOCATION: \_\_\_\_\_  
 ARCHITECT: \_\_\_\_\_  
 ENGINEER: \_\_\_\_\_  
 CONTRACTOR: \_\_\_\_\_  
 DATE: \_\_\_\_\_ SALES ENGINEER: \_\_\_\_\_

**Slotted Barrel Hood**



Qty.	Type	Material	Gauge	A	B	C	D

E	F (Diameter)	G	H	Finish	Optional Bracket Size L x W	Tag

**Finishes:**

- Mill Finish
- Painted
- Powder Coated
- Primer Only
- Custom Colors

**Standard Construction:**

- 18-gauge Welded Galvannealed

**Available Materials:**

- Steel
- Stainless Steel
- Aluminum
- Galvanized
- Corrosion Resistant FRP
- \* Thickness 26 ga. to 10 ga.

**Options (Check Applicable):**

- Hanging Brackets
- Blast Gate

**Notes:**

- Reference 28th Edition - Industrial Ventilation Guidelines for design assistance.