

Macurco™ CM-6, CM-12 Carbon Monoxide Detector, Controller and Transducer User Instructions



IMPORTANT: Keep these user instructions for reference.

Table of Contents

- 1 General Safety Information..... 4
 - 1.1 General Description..... 4
 - 1.2 List of warnings and Cautions..... 4
- 2 Use Instructions and Limitations..... 5
 - 2.1 Use For 5
 - 2.2 Do NOT use for 5
 - 2.3 Features..... 6
 - 2.4 Specifications 6
 - 2.4.1 6-Series Low Voltage..... 6
 - 2.4.2 12-Series Line Voltage..... 6
- 3 Installation Instructions 7
 - 3.1 Location 7
 - 3.2 Installation..... 7
 - 3.2.1 6-Series Low Voltage..... 7
 - 3.2.2 12-Series Line Voltage..... 12
 - 3.3 Terminal Connection 17
 - 3.3.1 6-Series Low Voltage..... 17
 - 3.3.2 12-Series Line Voltage..... 17
- 4 Operations 18
 - 4.1 Power up 18
 - 4.2 Display turned “On” 18
 - 4.3 Display turned “Off” 19
 - 4.4 4-20 mA Loop 19
 - 4.5 Default – Factory Settings 20
 - 4.5.1 Selecting Default Configuration – “dEF” 20
 - 4.5.2 Power-Up Test Setting – “PUt” 21
 - 4.5.3 Display Setting – “dSP” 21
 - 4.5.4 Buzzer Setting – “bUZ” 21
 - 4.5.5 Alarm Relay Setting – “ArS” 21
 - 4.5.6 Alarm Relay Configuration – “Arc” 21
 - 4.5.7 Fan Relay Setting – “FrS” 21
 - 4.5.8 Fan Relay Delay Setting – “Frd” 22
 - 4.5.9 Fan Relay Minimum Runtime Setting – “Frr” 22
 - 4.5.10 Fan Relay Latching Setting – “FrL” 22
 - 4.5.11 Trouble Fan Setting – “tFS” 22
 - 4.5.12 4-20mA Output setting – “420” 22
 - 4.5.13 Calibration Period Settings – “CAL” 22
- 5 Troubleshooting..... 23
 - 5.1 On-Board Diagnostics..... 23
 - 5.1.1 4-20mA troubleshooting..... 23
 - 5.1.2 “t” error codes 23
 - 5.2 Sensor Poisons 24
 - 5.3 End-of-Life Signal..... 24
- 6 Maintenance 24
 - 6.1 Sensor Life Reset 24
 - 6.2 Cleaning..... 25

- 7 Testing..... 25
 - 7.1 Testing 26
 - 7.1.1 Operation Test 26
 - 7.1.2 Manual Operation Test 26
 - 7.2 Calibration and Test Kits..... 27
 - 7.3 Gas Testing 28
 - 7.3.1 Testing the Fan Relay 28
 - 7.3.2 Testing the Alarm Relay 28
 - 7.3.3 Testing the 4-20mA loop..... 29
 - 7.3.4 Aerosol Carbon Monoxide Test 29
 - 7.4 Field Calibration Procedure 30
- 8 Appendix A – Table of Images 31
- 9 Appendix B – Menu Structure 32
 - 9.1 Main Menu 32
 - 9.2 Auto Test Menu “bUZ” 33
 - 9.3 Select Test Menu “tst” 40
 - 9.4 Calibration Menu “CAL” 41
 - 9.5 Sensor Reset Menu “SEn” 42
- 11 Macurco Gas Detection Product limited warranty 43
 - Technical Support Contact Information** 43
 - General Contact Information** 43


1 General Safety Information

The following instructions are intended to serve as a guideline for the use of the Macurco CM-6 and CM-12 Carbon Monoxide Detector. This manual will refer to these devices as CM-xx unless content is specific to a model. This manual is not to be considered all-inclusive, nor is it intended to replace the policy and procedures for your facility. If you have any doubts about the applicability of the equipment to your situation, consult an industrial hygienist or call Technical Support at 1-844-325-3050.

1.1 General Description

The Macurco CM-xx is a dual relay Carbon Monoxide (CO) detector, controller, and transducer. Available in both a low voltage (CM-6) and line voltage (CM-12) option. The CM-xx has selectable 4-20 mA output, buzzer and digital display options. It is an electronic detection system used to measure the concentration of Carbon Monoxide and provide feedback and automatic exhaust fan control to help reduce CO concentrations in parking garages, maintenance facilities or other commercial applications. The CM-xx is a low-level meter capable of displaying in the range 0-200 ppm (parts per million) of Carbon monoxide. The CM-xx is factory calibrated and 100% tested for proper operation but can also be calibrated in the field.

1.2 List of warnings and Cautions

 WARNING
Each person using this equipment must read and understand the information in this user manual before use. Use of this equipment by untrained or unqualified persons or use that is not in accordance with this user manual, may adversely affect product performance.
Use only for monitoring the gas which the sensor and monitor is designed to detect. Failure to do so may result in exposures to gases not detectable and cause serious injury or death. For proper use, see supervisor or user manual, or contact Technical Support at 1-844-325-3050.
This equipment may not function effectively below 0°F or above 125°F (-18°C or above 52°C). Using the detector outside of this temperature range may adversely affect product performance.
This detector helps monitor for the presence and concentration level of a certain specified airborne gas. Misuse may produce an inaccurate reading, which means that higher levels of the gas being monitored may be present and could result in overexposure and cause serious injury or death. For proper use, see supervisor or User manual, or contact Technical Support at 1-844-325-3050.
High voltage terminals (120/240 VAC) are located within this detector, presenting a hazard to service technicians. Only qualified technicians should open the detector case and service the internal circuits. Ensure power is de-energized from the detector relays prior to servicing the unit. Failure to do so may result in electrical shock.
Do not disassemble unit or attempt to repair or modify any component of this instrument. This instrument contains no user serviceable parts, and substitution of components may impair product performance.
Using a certified gas with a concentration other than the one listed for this detector when conducting a calibration or calibration verification test (bump test) will produce inaccurate readings. This means that higher levels of the gas being monitored may be present and could result in overexposure. For proper use, see supervisor or User manual, or contact Technical Support at 1-844-325-3050.

The following steps must be performed when conducting a calibration or calibration verification test (bump test) to ensure proper performance of the monitor. Failure to do so may adversely affect product performance.

- When performing a calibration or calibration verification test (bump test), only use certified calibration gas at the required concentration level.
- Do not test with expired calibration gas.
- Do not cover or obstruct display or visual alarm cover.
- Ensure sensor inlets are unobstructed and are free of debris

Failure to follow instructions outlined in this user manual can result in sickness or death.

2 Use Instructions and Limitations

WARNING

Each person using this equipment must read and understand the information in this user manual before use. Use of this equipment by untrained or unqualified persons or use that is not in accordance with this user manual, may adversely affect product performance.

2.1 Use For

The CM-xx provides CO detection and automatic exhaust fan control for automotive maintenance facilities, enclosed parking garages, utility rooms, warehouses and other commercial applications. The CM-xx meets the requirements of the Uniform Building Code for enclosed garages and meets OSHA standards for CO exposure. CM-xx can be used stand alone, with the Macurco DVP-120 Detection and Ventilation Control Panel, other 12 VAC or 24 VDC fire/security panels or building automation systems.

WARNING

Use only for monitoring the gas which the sensor and monitor is designed to detect. Failure to do so may result in exposures to gases not detectable and cause serious injury or death. For proper use, see supervisor or user manual, or contact Technical Support at 1-844-325-3050.

2.2 Do NOT use for

The CM-xx is not intended for use in hazardous locations or industrial applications such as refineries, chemical plants, etc. Do not mount the CM-xx where the normal ambient temperature is below 0°F or exceeds 125°F (-18°C or above 52°C). The CM-xx mounts on a type 4S electrical box supplied by the contractor. Do not install the CM-xx inside another box unless it has good air flow through it.

WARNING

This equipment may not function effectively below 0°F or above 125°F (-18°C or above 52°C). Using the detector outside of this temperature range may adversely affect product performance.

2.3 Features

- ETL LISTED Certified to CSA C22.2 No 61010-1, Conforms to UL Std. 61010-1, UL Std. 2075¹
- Low-level meter capable of displaying from 0-200 ppm of CO
- The CM-xx meets the Uniform Building Code for enclosed garages and meets OSHA standards for CO exposure
- Selectable fan and alarm relay activation
- 5 A SPDT fan relay controls starters of exhaust fans
- 0.5 A N.O. or N.C. alarm relay connects to warning devices or control panels
- 4-20 mA Current Loop
- CM-xx mounts on a standard 4x4 electrical box and becomes cover for the box
- Supervised system: any internal detector problem will cause the fan & Alarm relay to activate
- Calibration kit is available. One screw allows access for calibration or gas test

¹Where required by federal, state, local regulations or the Authority Having Jurisdiction, CM-6 and CM-12 are required to be used with Listed Horn/Strobe model 78-2900-0211-X* to meet the 85dB(A) Audibility requirements of Standards UL 2075.

*Where "X" represents lens cover color, R for red lens cover, G for green lens cover, B for blue lens cover, O for amber lens cover, C for clear lens cover.

2.4 Specifications

- Shipping Weight: 1 pound (0.45 kg)
- Size: 4 1/2 x 4 x 2 1/8 in. (11.4 X 11.4 X 5.3 cm)
- Color: White or Dark gray
- Connections: plugs/terminals
- Mounting box: (not included) 4x4 electric
- Fan relay: 5 A, 240 VAC, pilot duty, SPDT, latching or non-latching
- Fan relay actuation: selectable at diS (disable), 15 ppm, 25 ppm, 35 ppm (default), 50 ppm or 100 ppm CO
- Fan Delay Settings of 0, 1, 3 (default), 5 and 10 minutes
- Fan Relay Minimum Runtime settings are 0 (default), 3, 5, 10 or 15 minutes
- Fan relay latching or not latching (default) selectable
- Alarm relay: 0.5A 120 V, 60 VA
- Alarm relay actuation: selectable N.O. (default) or N.C.
- Alarm relay settings: diS, 50 ppm, 100 ppm, 150 ppm and 200 ppm (default)
- Current Loop, 4-20 mA for 0-200 ppm CO, selectable to 'bAS' (default), 'EnH', OFF
- Calibration Period Settings: diS(default), 3, 6, 12 and 24 (months)
- Buzzer: 85 dBA at 10cm settable to off (default) or on
- Digital display: 3-digit LED selectable to off (default) or on.
- Operating Environment: 0°F to 125° F (-18°C to 52°C), 10 to 90% RH non-condensing

2.4.1 6-Series Low Voltage

- Power: 3 W (max) from 12 to 24 VAC or 12 to 32 VDC
- Current @ 24 VDC: 75 mA in alarm (two relays), 50 mA (fan relay only) and 23 mA standby

2.4.2 12-Series Line Voltage

- Power: 100-240VAC (50 TO 60 HZ)
- Current: 1.0 A MAX

3 Installation Instructions

WARNING

This detector helps monitor for the presence and concentration level of a certain specified airborne gas. Misuse may produce an inaccurate reading, which means that higher levels of the gas being monitored may be present and could result in overexposure and cause serious injury or death. For proper use, see supervisor or User manual, or contact Technical Support at 1-844-325-3050.

3.1 Location

A CM-xx is normally mounted at breathing level, about 5 feet (1.5 meters) above the floor on a wall or column in a central area where air movement is generally good. The unit, on average, can cover approximately 5,000 sq. ft. (465 sq. meters) to 7,500 sq. ft. (697 sq. meters). The coverage depends on air movement within the room or facility. Extra detectors may be needed near any areas where people work or where the air is stagnant. Some of the factors that affect the coverage area are application type, personnel work areas and movement, room size, air movement, potential threat, mounting location, along with other site-specific factors that must be considered. Please check local regulations or requirements prior to installation. The CM-xx mounts on a 4x4 electrical box supplied by the contractor. Do not install the CM-xx inside another box unless it has good air flow through it. Do NOT mount the CM-xx where the normal ambient temperature is below 0°F or exceeds 125°F (below -18°C or above 52°C).

WARNING

High voltage terminals (120/240 VAC) are located within this detector (CM-12), presenting a hazard to service technicians. Only qualified technicians should open the detector case and service the internal circuits. Ensure power is de-energized from the detector relays prior to servicing the unit. Failure to do so may result in electrical shock.

3.2 Installation

3.2.1 6-Series Low Voltage

1. The CM-6 mounts on a 4" square (or 4x4) electrical box supplied by the contractor. Do not mount the CM-6 inside another box, unless it has good air flow through it.
2. Connect the CM-6 to Class 2 power supply only. It is suggested to use a separate transformer for powering the unit or units because of possible interferences from other devices on the same power supply.
3. Connect the CM-6 to the control cables with terminal plugs. When making connections, make sure the power is off.
4. There are two terminals for Power: 12 to 24 VAC or 12 to 32 VDC, with no polarity preference.
5. There are two terminals for the dry alarm relay contacts, again with no polarity preference. The alarm relay can switch up to 0.5 A 120 V, or 60 VA. The alarm relay is activated if gas reaches or exceeds the alarm settings. See section [4.5 Default – Factory Settings](#) of this User manual for details on relay settings.
6. The alarm relay can be configured to normally open (default) (N.O.) or normally closed (N.C.) and will activate if the gas concentration exceeds alarm set point. It will deactivate once the gas concentration drops below the alarm set point. Note that the “disable” setting will cause the alarm relay not to engage at all.
7. The dry contact, SPDT fan relay has three terminals. The common (COM.), normally open (N.O.) and the normally closed (N.C.) contact. The fan relay can switch up to 5.0 A up to 240 VAC. See section [4.5 Default – Factory Settings](#) of this User manual for details on relay settings.

8. The Fan Relay can be configured for latching or non-latching (default) when activated (when the gas concentration exceeds fan relay set point). Once latched in, power will need to be interrupted or the “TEST” button pressed to unlatch the relay condition.
9. The Fan Relay will engage if the fan setting Carbon Monoxide concentration is exceeded for longer than the Fan Relay Delay time. Unless it is configured for latching, the fan relay will disengage once both of these conditions have been met:
 - Carbon Monoxide concentration has dropped below fan setting
 - Fan Relay Run time has been exceededNote that the “disable” fan setting will cause the fan relay to not engage. The fan relay will engage in trouble fault condition (if the Trouble Fan Setting Option is set to “ON”) and will disengage once trouble fault condition is cleared.
10. The Current Loop is 4 mA in clean air and 4-20 mA for 0-200ppm CO

NOTE: 22 to 12 AWG wire shall be used. Wire used shall meet the temperature range of the detector i.e. 0°F to 125° F (-18°C to 52°C).

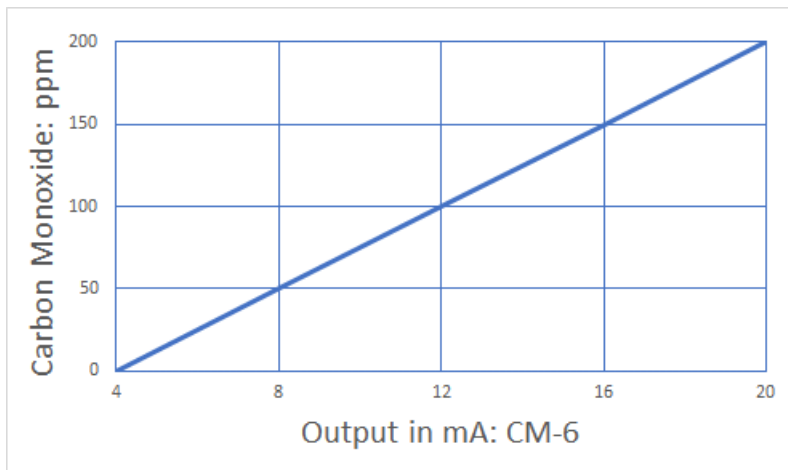


Figure 3-1 6-Series 4-20 mA Output diagram

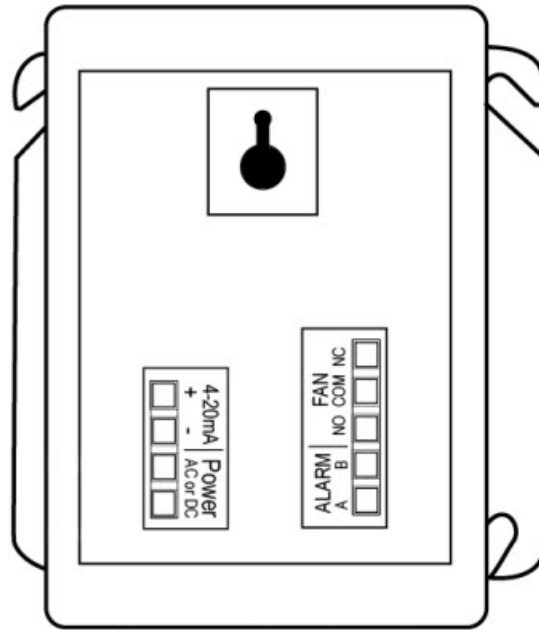


Figure 3-2 6-Series Rear View

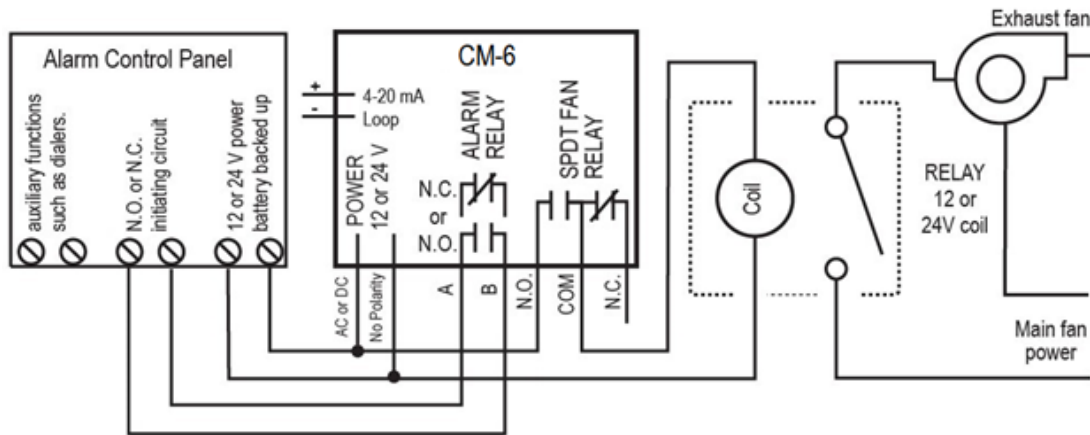


Figure 3-3 6-Series Alarm Control Panel diagram

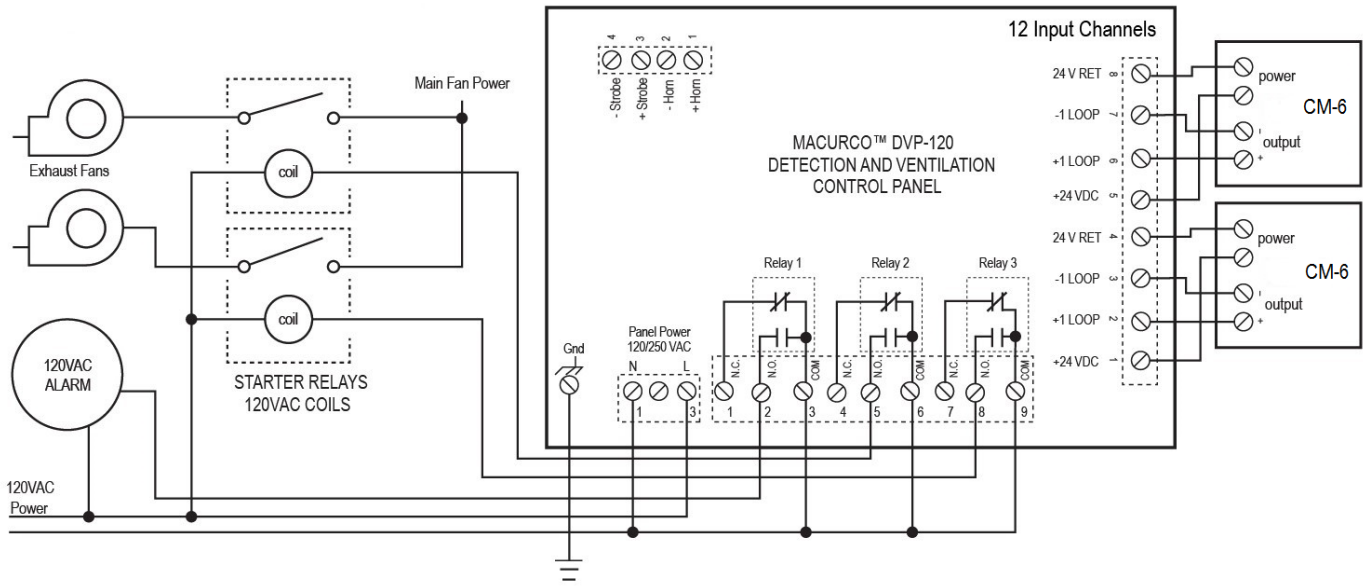


Figure 3-4 6-Series DVP-120 Control Panel diagram

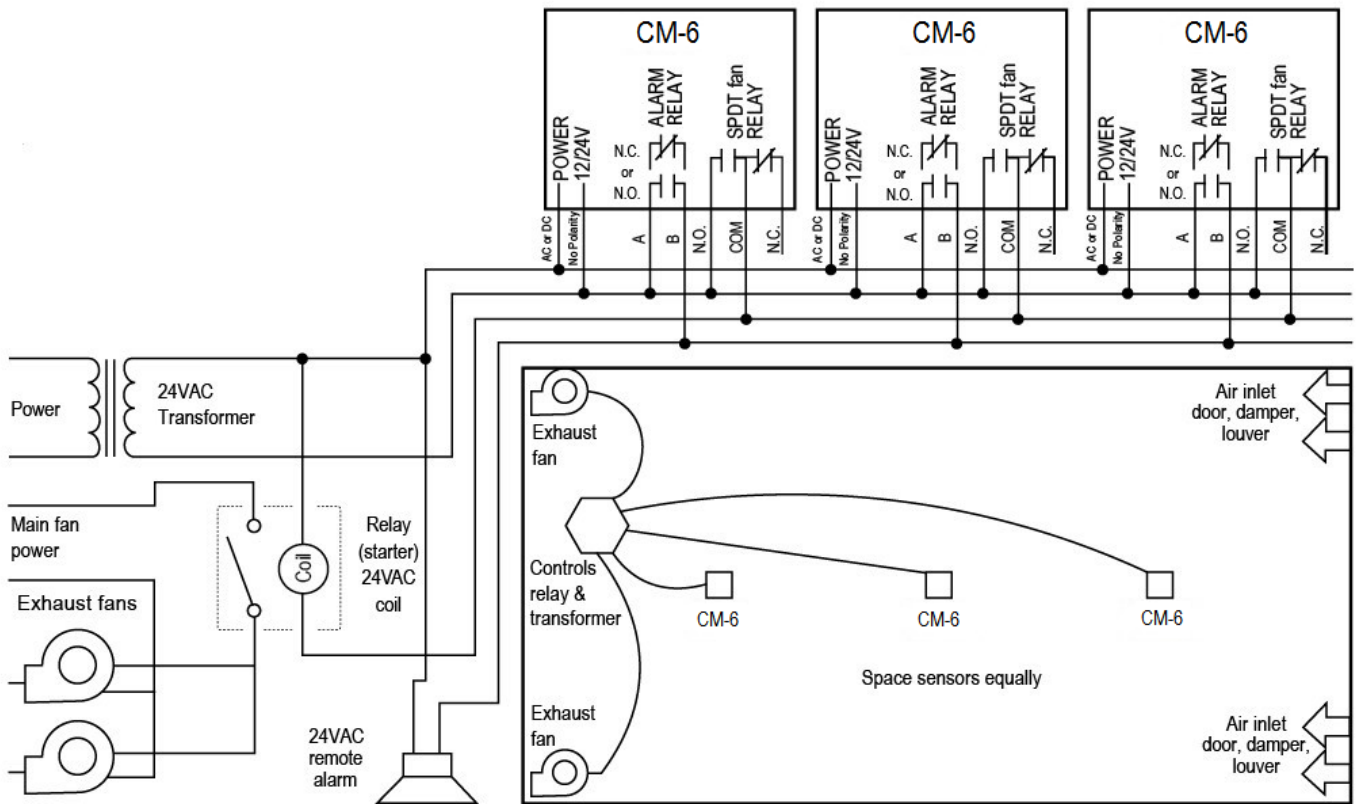


Figure 3-5 6-Series Multiple Device diagram

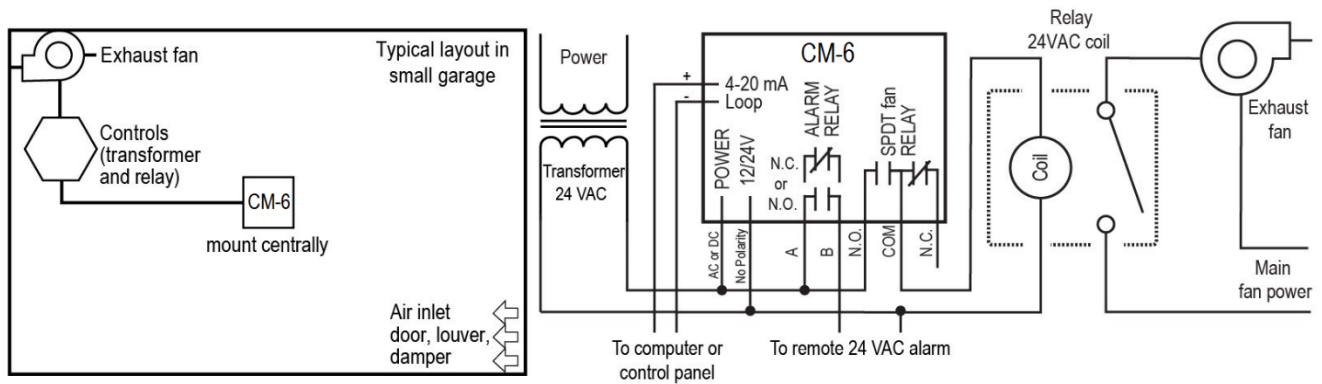


Figure 3-6 6-Series Stand Alone Diagram

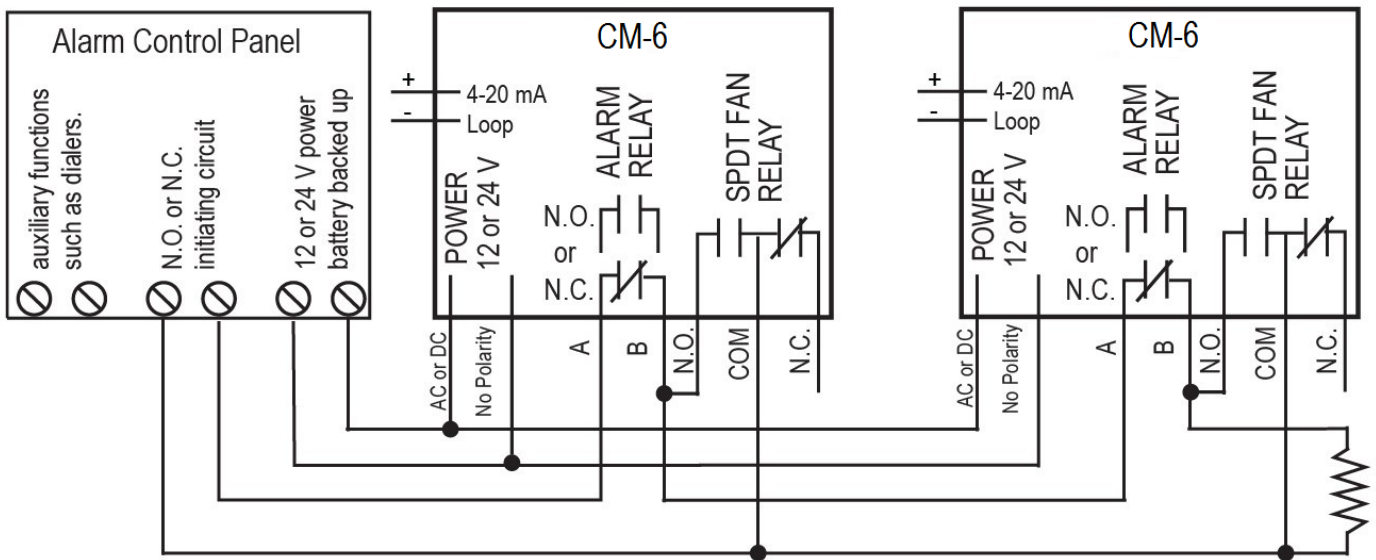


Figure 3-7 6-Series Alternate Alarm Panel

In this application (above) the Fan or primary relay is used as a low-level alarm relay. The Alarm or secondary relay is used as a supervisory relay when utilized in the normally closed configuration. The CM-6 monitors all critical functions of the unit through software diagnostics that continually test and verify its operations. If a problem is found, the unit will switch to a fail-safe/error mode or trouble condition. In this error mode the Fan* and Alarm relays will be activated indicating the trouble condition at panel and the CM-6 display will flash the error. *See section [4.5.11 Trouble Fan Settings – “tFS”](#) for options.

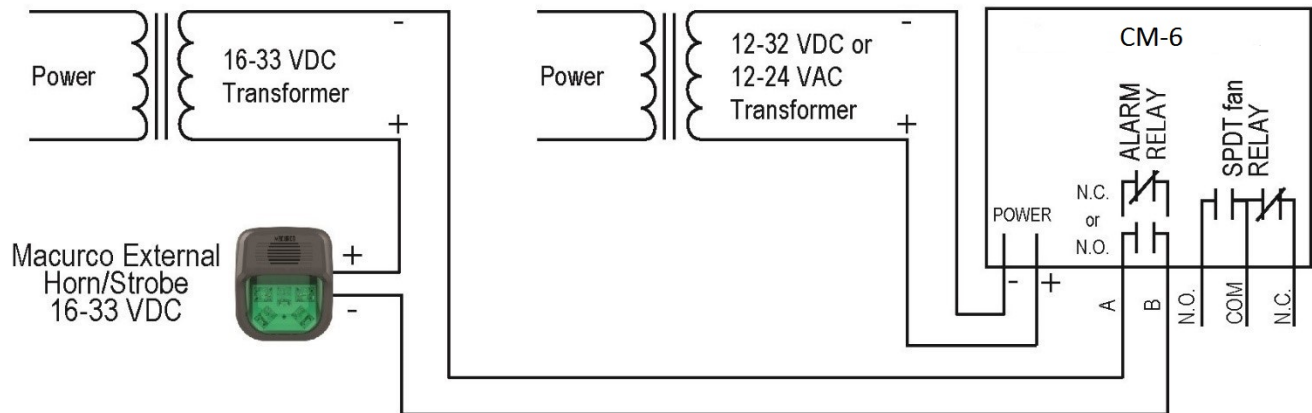


Figure 3-8 6-Series Horn & Strobe Combo Wiring

Macurco External Horn/Strobe model number is 78-2900-0211-X, where X represents lens color, R for red lens cover, G for green lens cover, B for blue lens cover, O for amber lens cover, C for clear lens cover. Sound pressure for Horn/Strobe model is at least 85dB at 10 feet.

NOTE: The final installation of CM-xx system, including secondary wiring from controller to sensors shall comply with requirements of “Class 1” in approved raceways or conduits.

3.2.2 12-Series Line Voltage

1. The CM-12 mounts on a 4” square (or 4x4) electrical box supplied by the contractor. Do not mount the CM-12 inside another box, unless it has good air flow through it.
2. There are two terminals for the dry alarm relay contacts, again with no polarity preference. The alarm relay can switch up to 0.5 A 120 V, or 60 VA. The alarm relay is activated if gas reaches or exceeds the alarm settings. See section [4.5 Default – Factory Settings](#) of this user manual for details on relay settings.
3. The alarm relay can be configured to normally open (default) (N.O.) or normally closed (N.C.) and will activate if the gas concentration exceeds alarm set point. It will deactivate once the gas concentration drops below the alarm set point. Note that the “disable” setting will cause the alarm relay not to engage at all.
4. The dry contact, SPDT fan relay has three terminals. The common (COM.), normally open (N.O.) and the normally closed (N.C.) contact. The fan relay can switch up to 5.0 A up to 240 VAC. See section [4.5 Default – Factory Settings](#) of this user manual for details on relay settings.
5. The Fan Relay can be configured for latching or non-latching (default) when activated (when the gas concentration exceeds fan relay set point). Once latched in, power will need to be interrupted or the “TEST” button pressed to unlatch the relay condition.
6. The Fan Relay will engage if the fan setting Carbon Monoxide concentration is exceeded for longer than the Fan Relay Delay time. Unless it is configured for latching, the fan relay will disengage once both of these conditions have been met:
 - Carbon Monoxide concentration has dropped below fan setting
 - Fan Relay Run time has been exceeded

Note that the “disable” fan setting will cause the fan relay to not engage. The fan relay will engage in trouble fault condition (if the Trouble Fan Setting Option is set to “ON”) and will disengage once trouble fault condition is cleared.

- 7. The Current Loop is 4 mA in clean air and 4-20 mA for 0-200ppm CO.

NOTE: 22 to 12 AWG wire shall be used. Wire used shall meet the temperature range of the detector i.e. 0°F to 125° F (-18°C to 52°C).

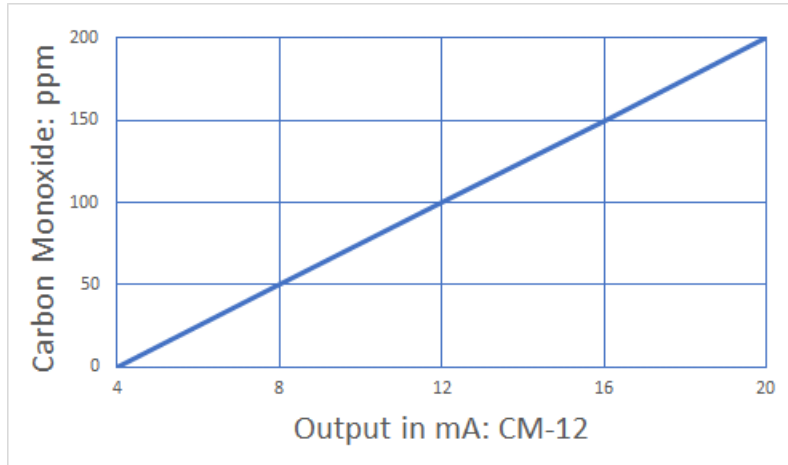


Figure 3-9 12-Series 4-20 mA Output Diagram

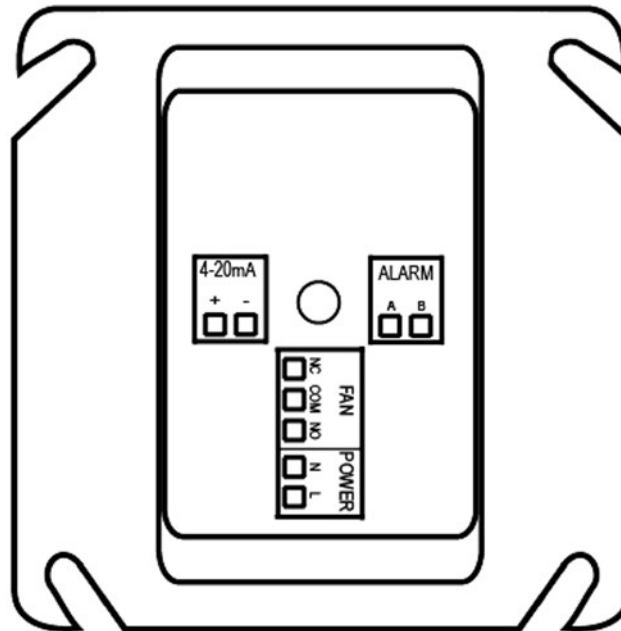


Figure 3-10 12-Series Rear View

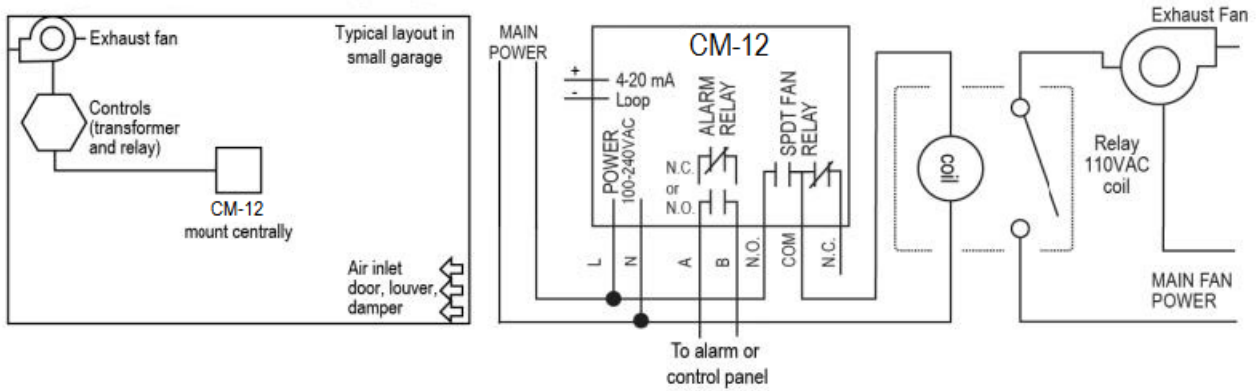


Figure 3-11 12-Series Stand Alone Diagram

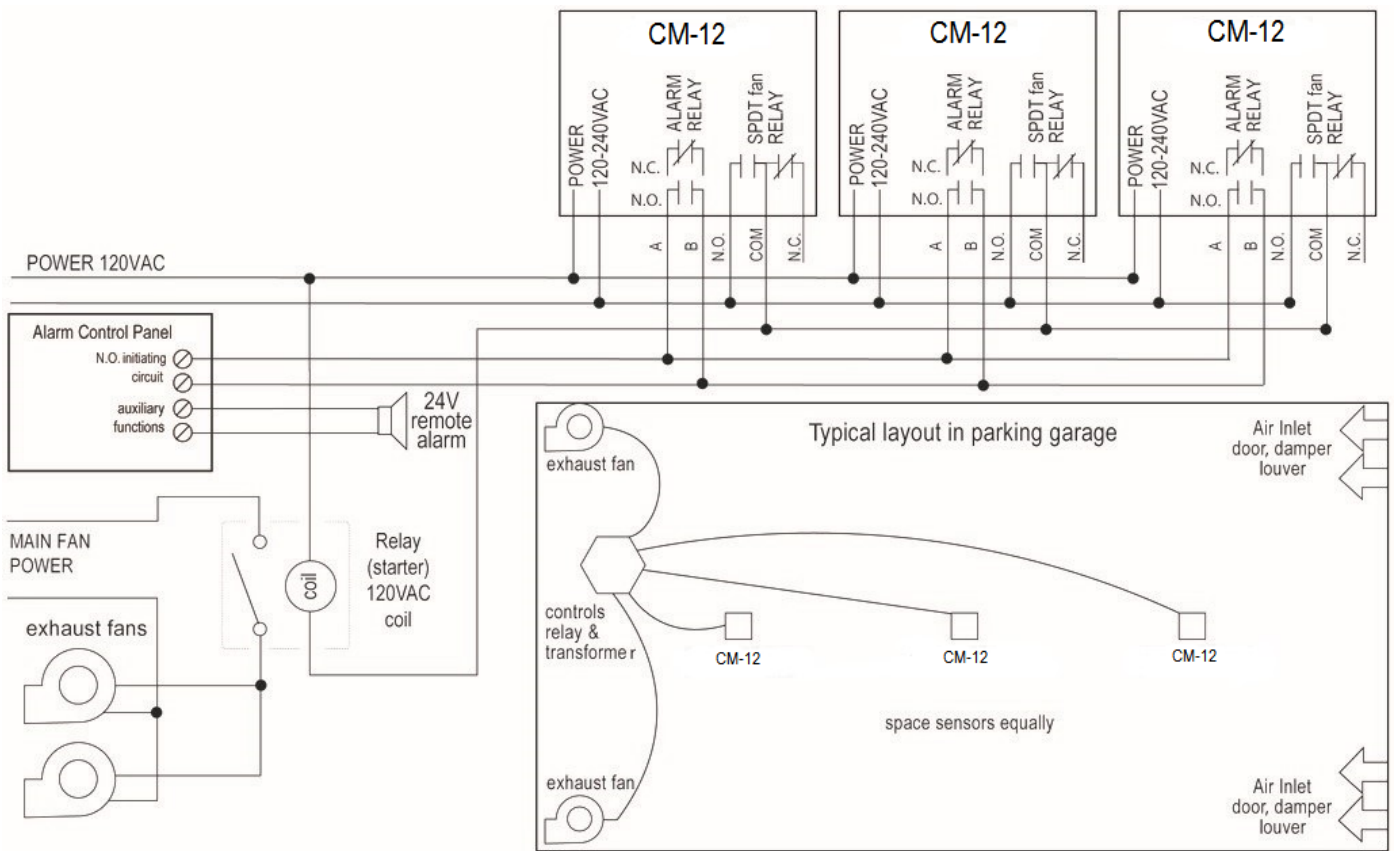


Figure 3-12 12-Series Multiple Device Diagram

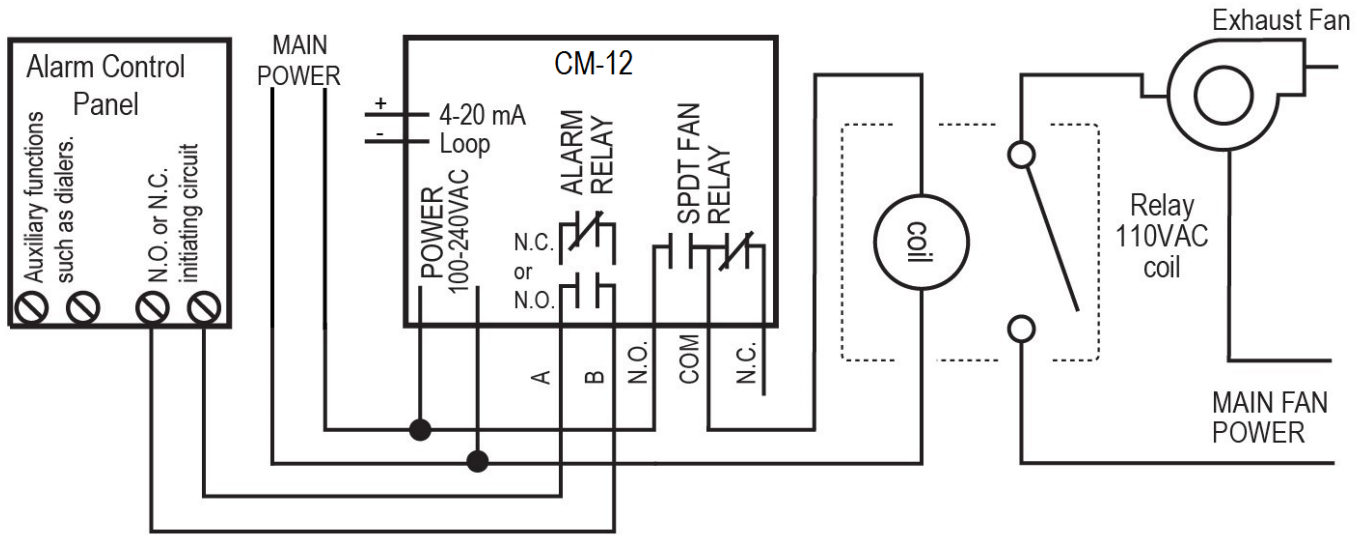


Figure 3-13 12-Series Alarm Control Panel Diagram

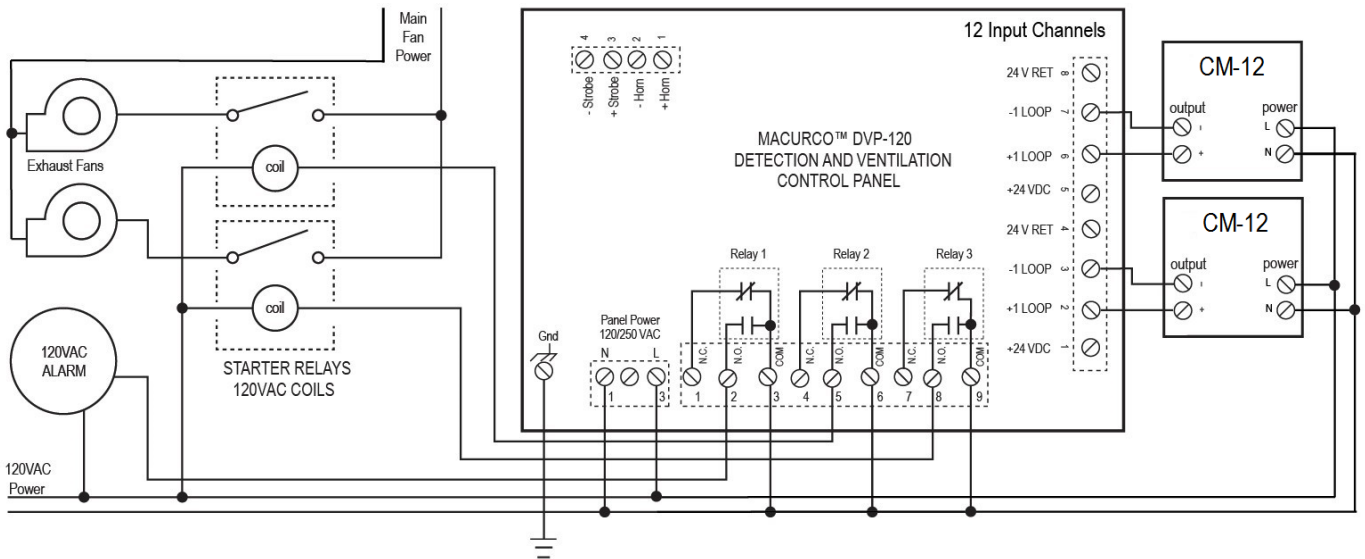


Figure 3-14 12-Series DVP-120 Control Panel Diagram

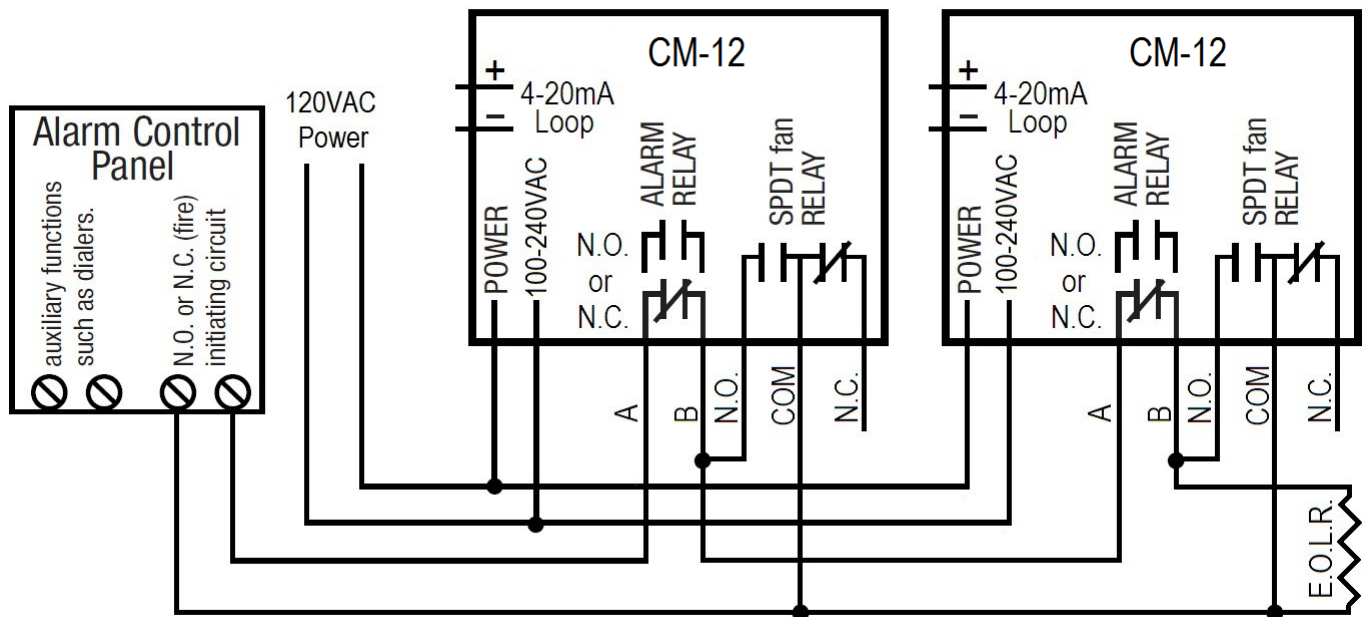


Figure 3-15 12-Series Alternate Alarm Panel

In this application (above) the Fan or primary relay is used as a low-level alarm relay. The Alarm or secondary relay is used as a supervisory relay when utilized in the normally closed configuration. The CM-12 monitors all critical functions of the unit through software diagnostics that continually test and verify its operations. If a problem is found, the unit will switch to a fail-safe/error mode or trouble condition. In this error mode the Fan* and Alarm relays will be activated indicating the trouble condition at panel and the CM-12 display will flash the error. See section [4.5.11 Trouble Fan Setting – “tFS”](#) for options.

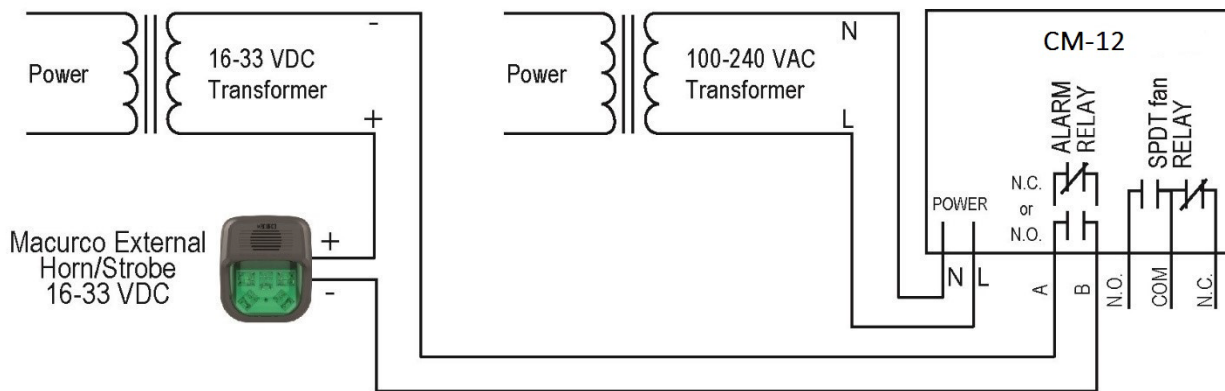


Figure 3-16 12-Series Horn & Strobe Combo Wiring

Macurco External Horn/Strobe model number is 78-2900-0211-X, where X represents lens color, R for red lens cover, G for green lens cover, B for blue lens cover, O for amber lens cover, C for clear lens cover. Sound pressure for Horn/Strobe model is at least 85dB at 10 feet.

NOTE: The final installation of CM-xx system, including secondary wiring from controller to sensors shall comply with requirements of "Class 1" in approved raceways or conduits.

3.3 Terminal Connection

3.3.1 6-Series Low Voltage

With the exception of the safety ground, all field wiring is completed via modular connectors (provided). After wiring, simply plug the modular connectors into the matching connectors on the back side of the detector.

NOTE: 22 to 12 AWG wire shall be used. Wire used shall meet the temperature range of the detector i.e. 0°F to 125° F (-18°C to 52°C).

3.3.1.1 Mains Power Connection

Connect the CM-6 to Class 2 power supply only. It is suggested to use a separate transformer for powering the unit or units because of possible interferences from other devices on the same power supply. Connect the CM-6 to the control cables with terminal plugs. When making connections, make sure the power is off. There are two terminals for Power: 12 to 24 VAC or 12 to 32 VDC, with no polarity preference

Ensure that the wire cannot be easily pulled from the connector. Plug the modular connection into the Fan/Power connection and ensure that it latches into the header properly.

3.3.1.2 Fan Relay Connection

All of the SPDT Fan relay terminals are available at the Fan/Power modular connector. Each Fan relay terminal normally open, common and normally closed (NO, COM and NC) can accommodate a wire size 12 to 22 AWG. To install the wiring for the relays, disconnect the connector from the header. Strip the insulation of each wire back approximately 1/4 in. (6.5 mm), insert the bare wire into the terminal and tighten the screw clamp. Ensure that the wire cannot easily be pulled from the connector. Plug the modular connection into the Fan/Power connection and ensure that it latches into the header properly.

3.3.1.3 Alarm Relay Connection

The external alarm connections (A and B) are available at the Alarm modular connector. There is no polarity for these connections. To install the wiring for the alarm contacts, disconnect the connector from the header on the detector. Strip the insulation of each wire back approximately 1/4 in. (6.5 mm), insert the bare wire into the terminal and tighten the screw clamp. Ensure that the wire cannot easily be pulled from the connector. When the wires are connected seat the modular connector into the header ensuring that the latch engages

3.3.1.4 4-20 mA Signal Connection

The positive and negative 4-20mA signal connections (+ and -) are available at the 4-20mA modular connector, a 2-position connector. To install the wiring for the 4-20 mA contacts, disconnect the connector from the header on the detector. Strip the insulation of each wire back approximately 1/4 in. (6.5 mm), insert the bare wire into the terminal and tighten the screw clamp. Ensure that the wire cannot easily be pulled from the connector. When the wires are connected seat the modular connector into the header ensuring that the latch engages

3.3.2 12-Series Line Voltage

With the exception of the safety ground, all field wiring is completed via modular connectors (provided). After wiring, simply plug the modular connectors into the matching connectors on the back side of the detector.

NOTE: 22 to 12 AWG wire shall be used. Wire used shall meet the temperature range of the detector i.e. 0°F to 125° F (-18°C to 52°C).

3.3.2.1 Mains Power Connection

Mains connections should be done in accordance with National and Local Electrical Codes. Only qualified personnel should connect Mains power to any device. Macurco recommends a minimum wire size of AWG18 and the wire insulator must be rated for 140°F (60°C) service. The modular connector will accept wire from 12 to 22 AWG.

The safety ground wire should be secured to the ground screw of the metal electrical box. Tighten the screw and make sure the wire is snug. Ensure that the wire cannot be pulled out from under the screw.

The Line (L) and Neutral (N) wires should be stripped 1/4 in. (6.5 mm), insert the wire into the "L" and "N" wire positions of the modular Fan/Power connector and tighten the screw clamp. Ensure that the wire cannot be easily pulled from the connector. Plug the modular connection into the Fan/Power connection and ensure that it latches into the header properly.

3.3.2.2 Fan Relay connection

All of the SPDT Fan relay terminals are available at the Fan/Power modular connector. Each Fan relay terminal normally open, common and normally closed (NO, COM and NC) can accommodate a wire size 12 to 22 AWG. To install the wiring for the relays, disconnect the connector from the header. Strip the insulation of each wire back approximately 1/4 in. (6.5 mm), insert the bare wire into the terminal and tighten the screw clamp. Ensure that the wire cannot easily be pulled from the connector. Plug the modular connection into the Fan/Power connection and ensure that it latches into the header properly.

3.3.2.3 Alarm Relay Connection

The external alarm connections (A and B) are available at the Alarm modular connector. There is no polarity for these connections. To install the wiring for the alarm contacts, disconnect the connector from the header on the detector. Strip the insulation of each wire back approximately 1/4 in. (6.5 mm), insert the bare wire into the terminal and tighten the screw clamp. Ensure that the wire cannot easily be pulled from the connector. When the wires are connected seat the modular connector into the header ensuring that the latch engages

3.3.2.4 4-20 mA Signal Connection

The positive and negative 4-20mA signal connections (+ and -) are available at the 4-20mA modular connector, a 2-position connector. To install the wiring for the 4-20 mA contacts, disconnect the connector from the header on the detector. Strip the insulation of each wire back approximately 1/4 in. (6.5 mm), insert the bare wire into the terminal and tighten the screw clamp. Ensure that the wire cannot easily be pulled from the connector. When the wires are connected seat the modular connector into the header ensuring that the latch engages

4 Operations

4.1 Power up

The CM-xx cycles through an internal self-test cycle for the first minute that it is powered. The unit will execute the test cycle any time power is dropped and reapplied (i.e. power failure). During the self-test cycle the unit will display the firmware version number, then count down from 60 to 0 (if the display setting is "On") and finally go into normal operation. The alarm relay will be activated for 10 seconds and the fan relay for 60 seconds during the power-up cycle unless the "Power Up Test" (PUt) option is OFF. The indicator light (LED) will flash green during the self-test cycle. If 4-20mA setting is set to "EnH", CM-xx will transmit information related to calibration period status via 4-20mA output during power-up cycle. At the end of the 1-minute cycle, the unit will take its first sample of the air and the indicator light will turn solid green.

4.2 Display turned "On"

Clean Air – With the display function turned "On", the CM-xx will show the current concentration of CO ppm or "0" (zero) in clean air.

Fan level – When the CO concentration reaches the Fan Relay setting (35 ppm, for example) the display will flash back and forth between "FAn" and "35" or current concentration of gas.

Alarm level – With the display function turned “On” and the CO concentration reaching the Alarm Relay setting, (200 ppm, for example) the display will flash back and forth between “ALr” and “200” or current concentration of gas. The buzzer will sound indicating “Alarm” if the buzzer is turned “On”.

Trouble – With the display function turned “On” and the device is in a trouble state, the display will display the “t” Error code (t01 for example). If the Trouble Fan Setting is enabled, the Fan relay will switch activating the relay. See section [4.5.11 Trouble Fan Setting – “tFS”](#) and section [5.1.2 “t” Error Codes](#) and

Calibration Due- With Calibration Period functionality enabled, if a detector is within 1 month of calibration period, then display will flash back and forth between “dUE” and current gas reading. Calibration Due is resolved only with successful field calibration.

4.3 Display turned “Off”

Clean Air – With the display function turned “Off”, the display does not show the CO concentration. Only the Power indicator light on will be on.

Fan Level – When the CO concentration reaches the Fan Relay setting (35ppm, for example) the display will show “FAn” continuously as long as the fan relay is enabled. This appears as slowly flashing “FAn”.

Alarm Level – With the display function turned off the display does not show the CO concentration but will show “ALr” when the Alarm relay is activated.

Trouble – With the display function turned “Off” and the device is in a trouble state, the display will display the “t” Error code (t01 for example). If the Trouble Fan Setting is enabled, the Fan relay will switch activating the relay. See Section [4.5.11 Trouble Fan Setting – “tFS”](#) and Section [5.1.2 “t” Error Codes](#).

Calibration Due- With Calibration Period functionality enabled, if a detector is within 1 month of calibration period, then display will show “dUE” continuously. Calibration Due is resolved only with successful field calibration.

4.4 4-20 mA Loop

4-20mA settings selected to ‘bAS’ or ‘EnH’ is considered as 4-20mA function turned ON.

Clean Air – With the 4-20 mA function turned “On” and the current concentration of CO ppm at “0” (zero), the 4-20mA loop will output 4 mA.

Gas read – With the 4-20 mA function turned “On” the output will read between 4 mA and 20 mA depending on the current concentration of CO.

Trouble – With the 4-20 mA function turned “On” and Trouble Fan Setting enabled. The 4-20mA loop will output 1 mA or 24 mA depending on the Trouble condition. See Section [5.1 On-Board Diagnostics](#).

4.5 Default – Factory Settings

The CM-xx comes pre-programmed with these default settings:

Setting:	Default:
Power Up Test	On
Display	On
Buzzer	On
Alarm Relay Setting	200 ppm
Alarm Relay Configuration	Normally Open (NO)
Fan Relay Setting	35 ppm
Fan Relay Delay	3 minutes
Fan Relay Minimum Runtime	0 minutes
Fan Relay Latching	Off
Trouble Fan Setting	Off
4-20mA	bAS (basic)
Calibration due	dIS (disabled)

To change settings, remove the Philips screw on the front of the CM-6. Pull off the front cover of the unit.

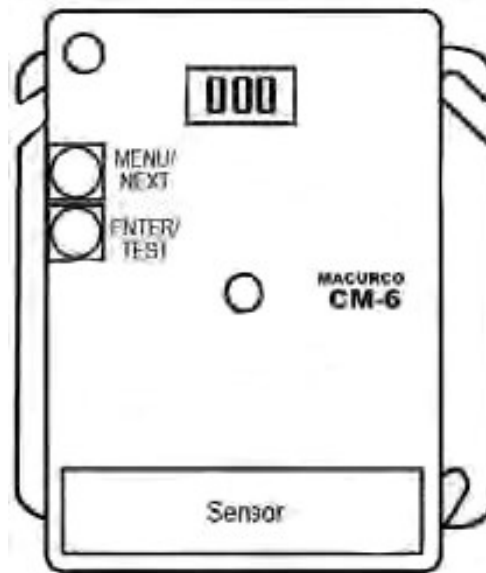


Figure 4-1 Board View

To reset the device to factory settings, see section 4.5.1 Selecting Default Configuration – “dEF”

4.5.1 Selecting Default Configuration – “dEF”

To select the Default Configuration, in normal mode, push the **Next** button to get to “Con” or the Configuration menu. Then push the **Enter** button to enter the Con menu. The first selection is the “dEF” or Default setting. Push **Enter**. If it is already in Default configuration, there will be no action. If it is not already in Default configuration, “nO” will be displayed. Push Next to

change it to “YES” (flashing) then push **Enter** to confirm the change (solid) and push **Enter** again to return to “dEF” in the con menu. Push **Next** until “End” is displayed then push **Enter** to get back to normal operation.

Note: This menu cannot be changed when CM-XX is in calibration due or calibration overdue. (Refer to Section [4.5.13 Calibration Period Settings – “CAL”](#) for information on calibration due and calibration overdue.)

4.5.2 Power-Up Test Setting – “PUt”

To select the Power Up Test Configuration, in normal mode, push the **Next** button to get to “Con” or the Configuration menu. Then push the **Enter** button to enter the Con menu. Then push the **Next** button to get to the second selection “PUt” or Power Up Test setting. Push **Enter**. If the testis “On” push **Next** to turn it “OFF” (flashing) then push **Enter** to confirm the change (solid) and push **Enter** again to return to “PUt” in the Con menu. Push **Next** until “End” is displayed then push **Enter** to get back to normal operation.

4.5.3 Display Setting – “dSP”

To select the Display Configuration, in normal mode, push the **Next** button to get to “Con” or the Configuration menu. Then push the **Enter** button to enter the Con menu. Then push the **Next** button to get to the third selection “dSP” or Display setting. Push **Enter**. If the display is “On” push **Next** to turn it “OFF” (flashing) then push **Enter** to confirm the change (solid) and push **Enter** again to return to “dSP” in the Con menu. Push **Next** until “End” is displayed then push **Enter** to get back to normal operation.

4.5.4 Buzzer Setting – “bUZ”

To select the Buzzer Configuration, in normal mode, push the **Next** button to get to “Con” or the Configuration menu. Then push the **Enter** button to enter the Con menu. The forth selection is the “bUZ” or Buzzer setting. Push **Next** twice to get to “bUZ” then **Enter**. If the display is “On” push **Next** to turn it “OFF” (flashing) then push **Enter** to confirm the change (solid) and push **Enter** again to return to “bUZ” in the Con menu. Push **Next** until “End” is displayed then push **Enter** to get back to normal operation.

4.5.5 Alarm Relay Setting – “ArS”

To select the Alarm Relay Setting, in normal mode, push the **Next** button to get to “Con” or the Configuration menu. Then push the **Enter** button to enter the Con menu. The fifth selection is the “ArS” or Alarm Relay Setting. Push **Next** three times to get to “ArS” then **Enter**. If the display is “dIS” (disabled) push **Next** to change it to 50, 100, 150 or 200 ppm (flashing) then push **Enter** to confirm the change (solid) and push **Enter** again to return to “ArS” in the Con menu. Push **Next** until “End” is displayed then push **Enter** to get back to normal operation.

4.5.6 Alarm Relay Configuration – “Arc”

To select the Alarm Relay Configuration, in normal mode, push the **Next** button to get to “Con” or the Configuration menu. Then push the **Enter** button to enter the Con menu. The sixth selection is the “Arc” or Alarm Relay Configuration. Push **Next** four times to get to “Arc” then **Enter**. If the relay is “nO” (normally open) push **Next** to turn it to “nC” (flashing) then push **Enter** to confirm the change (solid) and push **Enter** again to return to “Arc” in the Con menu. Push **Next** until “End” is displayed then push **Enter** to get back to normal operation.

4.5.7 Fan Relay Setting – “FrS”

To select the Fan Relay setting, in normal mode, push the **Next** button to get to “Con” or the Configuration menu. Then push the **Enter** button to enter the Con menu. The seventh selection is the “FrS” or Fan Relay setting. Push **Next** five times to get to “FrS” then **Enter**. If the fan relay is “dIS” (disabled) push **Next** to change it to 15, 25, 35, 50 or 100 ppm (flashing) then push **Enter** to confirm the change (solid) and push **Enter** again to return to “FrS” in the Con menu. Push **Next** until “End” is displayed then push **Enter** to get back to normal operation.

4.5.8 Fan Relay Delay Setting – “Frd”

To select the Fan Relay Delay setting, in normal mode, push the **Next** button to get to “Con” or the Configuration menu. Then push the **Enter** button to enter the Con menu. The eighth selection is the “Frd” or Fan Relay Delay. Push **Next** six times to get to “Frd” then **Enter**. If the delay is “0” (disabled) push **Next** to change it to 1, 3, 5, or 10 minutes (flashing) then push **Enter** to confirm the change (solid) and push **Enter** again to return to “Frd” in the Con menu. Push **Next** until “End” is displayed then push **Enter** to get back to normal operation.

4.5.9 Fan Relay Minimum Runtime Setting – “Frr”

To select the Fan Relay Minimum Runtime setting, in normal mode, push the **Next** button to get to “Con” or the Configuration menu. Then push the **Enter** button to enter the Con menu. The ninth selection is the “Frr” or Fan Minimum Run Time. Push **Next** seven times to get to “Frr” then **Enter**. If the runtime is “0” (disabled) push **Next** to change it to 3, 5, 10 or 15 minutes (flashing) then push **Enter** to confirm the change (solid) and push **Enter** again to return to “Frr” in the Con menu. Push **Next** until “End” is displayed then push **Enter** to get back to normal operation.

4.5.10 Fan Relay Latching Setting – “FrL”

To select the Fan Relay Latching Option, in normal mode, push the **Next** button to get to “Con” or the Configuration menu. Then push the **Enter** button to enter the Con menu. The tenth selection is the “FrL” or Fan Relay Latching Option. Push **Next** nine times to get to “FrL” then **Enter**. If latching is “OFF” push **Next** to turn it to “ON” (flashing) then push **Enter** to confirm the change (solid) and push **Enter** again to return to “FrL” in the Con menu. Push **Next** until “End” is displayed then push **Enter** to get back to normal operation.

4.5.11 Trouble Fan Setting – “tFS”

To select the Trouble Fan Setting Option, in normal mode, push the **Next** button to get to “Con” or the Configuration menu. Then push the **Enter** button to enter the Con menu. The eleventh selection is the “tFS” or Trouble Fan Setting Option. Push **Next** ten times to get to “tFS” then **Enter**. If Trouble Fan Setting is “OFF” push **Next** to turn it to “ON” (flashing) then push **Enter** to confirm the change (solid) and push **Enter** again to return to “tFS” in the Con menu. Push **Next** until “End” is displayed then push **Enter** to get back to normal operation.

4.5.12 4-20mA Output setting – “420”

To select the 4-20mA Output Option, in normal mode, push the **Next** button to get to “Con” or the Configuration menu. Then push the **Enter** button to enter the Con menu. The twelfth selection is the “420” or 4-20mA Output Option. Push **Next** eleven times to get to “420” then **Enter**. If the 4-20mA is “bAS” push **Next** to turn it to “EnH” (flashing) and push **Next** one more time to turn it to “OFF” (flashing). Then push **Enter** to confirm the change (solid) and push **Enter** again to return to “420” in the Con menu. Push **Next** until “End” is displayed then push **Enter** to get back to normal operation.

NOTE: CM-XX will transmit information about calibration period to Macurco Control Panel (via 4-20 mA output) only when 4-20mA output setting is set to ‘EnH’.

4.5.13 Calibration Period Settings – “CAL”

Value selected in Calibration Period settings is number of months. CM-xx indicates a “calibration due” when it is within 1 month of calibration period, and “calibration overdue” when detector has reached or exceeded calibration period. Calibration Period Settings cannot be changed if CM-xx is indicating “calibration due” or “calibration overdue”.

To select the Calibration Period Option, in normal mode, push the **Next** button to get to “Con” or the Configuration menu. Then push the **Enter** button to enter the Con menu. The thirteenth selection is “CAL” or Calibration Period setting. Push **Next** twelve times to get to “CAL” then push **Enter**. Default setting is “DIS”. Push **Next** to change it to 3, 6, 12 or 24 (flashing) then push **Enter** to confirm the change (solid). Then push **Enter** again to return to “CAL” in the Con menu. Push **Next** until “End” is displayed then push **Enter** to get back to normal operation.

5 Troubleshooting

5.1 On-Board Diagnostics

The CM-xx monitors all critical functions of the unit through software diagnostics that continuously test and verify unit operations. If a problem is found, the unit will switch to a fail-safe/error mode or trouble condition. In this error mode, the Alarm relay will be activated, the 4-20 mA current loop will go to 24 mA, the unit will display the error code, the green status indicator LED light will flash, and the buzzer will chirp intermittently. The Fan relay will also engage if the Trouble Fan Setting Option is set to "ON". This is a safety precaution. To clear this mode, simply turn off power to the unit for a few seconds or push the ENTER/TEST switch (inside the unit). This will cause the unit to restart the 1-minute self-test cycle.

5.1.1 4-20mA troubleshooting

- 0 mA is most likely a connection problem
- 1 mA indicates Calibration Overdue (if 4-20mA is configured to 'EnH')
- 4-20 mA is normal gas reading range (0-200 ppm)
- 24 mA indicates a Trouble condition

5.1.2 "t" error codes

tXX	
t01	Sensor Fatal Error/ Sensor missing
t02	Temperature compensation failure
t04	EEPROM bad checksum
t08	Sensor is shorted
t10	Bad EEPROM
t20	Bad calibration
t40	Factory calibration failure
t80	Read ADC failure
t100	Under range
t200	Sensor expired / End of Life
t8000	Calibration Overdue

NOTE:

- I. T8000 has highest priority among all trouble code i.e. if T8000 error code exist along with other 't' error code then the 4-20mA output is 1mA if T8000 exist.
- II. T8000 is resolved only with successful field calibration.
- III. If there are multiple error codes existing at the same time, the displayed code will be the sum of error codes. E.g. Unit will display t03 if t01 and t02 exist at same time, t180 if t100 and t80 exist at the same time etc.

If the sum for a digit (ones, tens or hundreds) is greater than 9, it will display corresponding hexadecimal representation of the sum. Following table shows the hexadecimal representation for number from 10 to 15.

Decimal Number	Hexadecimal Representation displayed on UNIT
10	A
11	b
12	C
13	d
14	E
15	F

Table 5-1 Hexadecimal Display

E.g. unit will display t0A if t02 and t08 exist at same time. Similarly, tC0 if t40 and t80 exist at the same time.

For trouble codes over 2 digits, the display will alternate ‘tXX’ and ‘t.YY’ where XX corresponds to first two digits and YY (note ‘.’ after ‘t’) corresponds to last two digits of trouble code. E.g. the display will alternate between t01 and t.00 for t100, t02 and t.00 for t200 and t80 and t.00 for t8000.

If the error mode repeats frequently, check for continuous power and proper voltage. If power is not the problem and a unit has repeating error conditions, it may need to be returned to Macurco for service, per these User Instructions.

If the error mode indicates “Sensor expired” see the Sensor Life Reset section of these User Instructions

5.2 Sensor Poisons

The sensor in the detector is designed with extreme sensitivity to the environment. As a result, the sensing function may be deteriorated if it is exposed to contaminants, a direct spray from aerosols such as paints, silicone vapors, etc., or to a high density of corrosive gases (such as hydrogen sulfide, sulfur dioxide) for an extended period of time.

5.3 End-of-Life Signal

The CM-xx has a long life, non-replaceable electrochemical sensor. Ten (10) years after the CM-xx is installed the sensor end-of-life signal will be activated indicating that the CM-xx has reached the end of its typical usable life. The end-of-life signal will cause an error code t200 “Sensor expired”. See Section 5.1.2 “t” Error Codes.

The end-of-life signal can be silenced for 48 hours by pressing the "ENTER/TEST" button or by temporarily dropping power to the unit. The end-of-life signal provides the user an opportunity to test and/or calibrate the sensor assuring that it is still performing within acceptable parameters though the sensor is nearing the end of its expected life. The silence function will continue to be available for 29 days after the CM-xx initiates the initial end-of-life signal. After this 29-day period the CM-xx can no longer be silenced, and the sensor must be calibrated, and the sensor life reset, or the CM-xx detector replaced.

6 Maintenance

The CM-6 is low maintenance. The unit uses a long-life electrochemical sensor that has a 10-year life expectancy (in normal conditions). The detector’s performance should be tested regularly by using gas as detailed in the Testing and Field Calibration sections. All maintenance and repair of products manufactured by Macurco are to be performed at the appropriate Macurco manufacturing facility. Macurco does not sanction any third-party repair facilities

6.1 Sensor Life Reset

1. Remove the Philips screw on the front of the CM-xx. Pull the front cover of the unit off.
2. To reset the sensor life (rSt), from normal or warm-up mode, press the **Next** button four times to get to “SEn” or Sensor Mode.
3. Then press the **Enter** button to get to “rSt” - Reset Sensor Mode.

4. Press the **Enter** button again to see the sensor reset status. If the sensor life has already been reset, done “don” will be displayed. If it has not already been reset, “no” will be displayed. Push Next to change it to “YES” (flashing) then push **Enter** to confirm the change (solid) and push Enter again to return to “rSt” in the “SEn” menu. Push **Next** until “End” is displayed then push **Enter** to get back to normal operation. The sensor life will be reset for 1 year.

NOTE: If the sensor is reset and the detector not replaced, it is necessary to test and/or calibrate the sensor to assure that it is still performing within acceptable specifications though the sensor is nearing the end of its expected life. There will be no other indication of sensor performance.

 WARNING
Do not disassemble unit or attempt to repair or modify any component of this instrument. This instrument contains no user serviceable parts, and substitution of components may impair product performance.


CAUTION

Avoid the use of harsh cleaning materials, abrasives and other organic solvents. Such materials may permanently scratch the surfaces and damage the display window, labels, sensor or instrument housing. High voltage terminals (100-240VAC) are located within this detector, presenting a hazard to service technicians. Only qualified technicians should open the detector case and service the internal circuits. Ensure power is removed from the detector prior to cleaning the unit. Failure to do so may result in sickness or death.

6.2 Cleaning

Cleaning of the external surfaces is best carried out using a damp cloth with a mild detergent or soap. Use a vacuum cleaner with soft brush to remove dust or contamination under the cover. Do not blow out the sensor with compressed air.

7 Testing

 WARNING
Using a certified gas with a concentration other than the one listed for this detector when conducting a calibration verification test (bump test) will produce inaccurate readings. This means that higher levels of the gas being monitored may be present and could result in overexposure. For proper use, see supervisor or User manual, or contact Technical Support at 1-844-325-3050.

All CM-6 units are factory calibrated, 100% tested for proper operation and accuracy of $\pm 10\%$ *. During normal operation the green status indicator LED light will be on steady, the fan & alarm relay will be in standby mode and the 4-20 mA output will be at 4mA (in clean air). The unit also performs a regular automatic self-test during normal operation. If the unit detects an improper voltage or inoperable component, it will default into Error mode. In this error mode, the Alarm relay will be activated, the 4-20 mA current loop will go to 24 mA, the unit will display the error code, the green status indicator LED light will flash, and the buzzer will chirp intermittently. The Fan relay will also engage if the Trouble Fan Setting Option is set to “ON”.

*Tested at 100ppm CO at 68°F to 75°F.

7.1 Testing

7.1.1 Operation Test

Check that the green CM-6 status indicator LED light is illuminated continuously. If not, do not proceed with the tests. If the unit is in error mode, contact your local representative or Macurco technical service representative for information on resolving the problem.

1. Remove the single screw in the middle of the front cover of the CM-6.
2. Remove the front cover.
3. Observe the LED light on the front of the CM-6.
4. If the light is solid green proceed to step 6.
5. If the green status indicator LED light is off or flashing, refer to the General section above.
6. Locate the switch labeled ENTER/TEST on the left side of the printed circuit board. Press the Test switch once.
7. The CM-6 will step through a cycle test:
 - a. The display progresses through the BUZ (Buzzer Test) Art (alarm relay test), Frt (fan relay test) then 42t (4-20 mA output test). Make sure that the settings are “on” or not disabled “diS”.
 - b. During the first 3 seconds of the test cycle, the display will show BUZ and set off the audible buzzer
 - c. The alarm relay will be closed for 5 seconds, any devices connected to that relay will be tested.
 - d. The Fan relay will be activated for the next 1 minute of the test, so if the fan circuits are wired in the normal manner, the fan should run.
 - e. The 4-20mA output will then ramp up from 4 to 16 mA over the next 130 seconds of the test, so if the circuit is wired in the normal manner, the control panel or building automation system should respond.
 - f. At the end of the test cycle, the fan & alarm relay will be in standby mode and the 4-20 mA output will return to 4 mA (in clean air).
8. When testing is completed reassemble the unit or units.

7.1.2 Manual Operation Test

This option gives the user the opportunity to manually initiate an individual test for each relay, the analog output and the sensor response to gas. From normal operation mode press the Next button 2 times to get to the Test Mode (tSt). Press the Enter button once to get into the Test Menu. Press the Next button to scroll through the five test options and press Enter to initiate the selected test. Note that if the relay or 4–20 mA output has been disabled, the test selection will not be displayed in the test menu.

bUZ- Buzzer Test, 3 seconds

Art - Alarm Relay Test, 5 seconds

Frt - Fan Relay Test, 60 seconds

42t - 420 loop test, 130 seconds

gtS - Gas Test, 3 minutes (no output to the panel during the gas test)

The display will flash during the test, or in the case of the gas test, the gas level will alternate with gtS. Once the test is complete, the display will return to steady display. To exit the test menu, press the **Next** button until “End” is displayed then, press **Enter** to return to normal mode.

7.2 Calibration and Test Kits

WARNING

The following steps must be performed when conducting a calibration or calibration verification test (bump test) to ensure proper performance of the monitor. Failure to do so may adversely affect product performance.

- When performing a calibration or calibration verification test (bump test) only use certified calibration gas at the required concentration level.
- Do not test with expired calibration gas.
- Do not cover or obstruct display or visual alarm cover.
- Ensure sensor inlets are unobstructed and are free of debris

Failure to follow instructions outlined in this user manual can result in sickness or death.

- When performing a calibration or calibration verification test (bump test) only use certified calibration gas at the required concentration level. Do not calibrate with expired calibration gas.
- If the instrument cannot be calibrated, do not use until the reason can be determined and corrected.
- Do not cover or obstruct display or visual alarm cover.
- Ensure sensor inlets are unobstructed and is free of debris

A Field Calibration Kit, Cal-Kit 1, and one bottle of calibration gas is needed to complete gas test. These are available through local distribution or from Macurco.

NOTE: CM-xx must be tested or calibrated at regular intervals in accordance with the requirements of the National Fire Protection Association (NFPA) 720 or local code requirements. It is recommended to test or calibrate CM-xx at least annually.

Contents of the Cal-Kit 1

- Cal-Kit 1 (30-0011-1110-2)
 - Calibration Case
 - Two feet of Tygon tubing
 - Cal Hood-Macurco Pack
 - 0.2 LPM Gas regulator (F)

Also needed are the following gas bottles (Sold Separately):

- Qty 1 CO-200PPM (70-0714-0348-2) Carbon Monoxide CO Cal Gas Cylinder 17L 200 ppm (M) **(For Calibration)**
- Qty 1 CO-50PPM (70-0714-8640-4) Carbon Monoxide CO Cal Gas Cylinder 17L 50 ppm (M) **(For Gas Testing)**

Cal-Kit 1 Information

Several detectors can be calibrated with one Cal-Kit. The only limitation is the amount of gas in the cylinder. The 17-liter cylinder has approximately 85 minutes of continuous calibration run time. The gas cylinder should be replaced when the pressure gauge on the regulator shows 25-psi or less.

Note: For optimum test results it is suggested that the unit be in clean air, green light on, and be in a low ambient air flow.

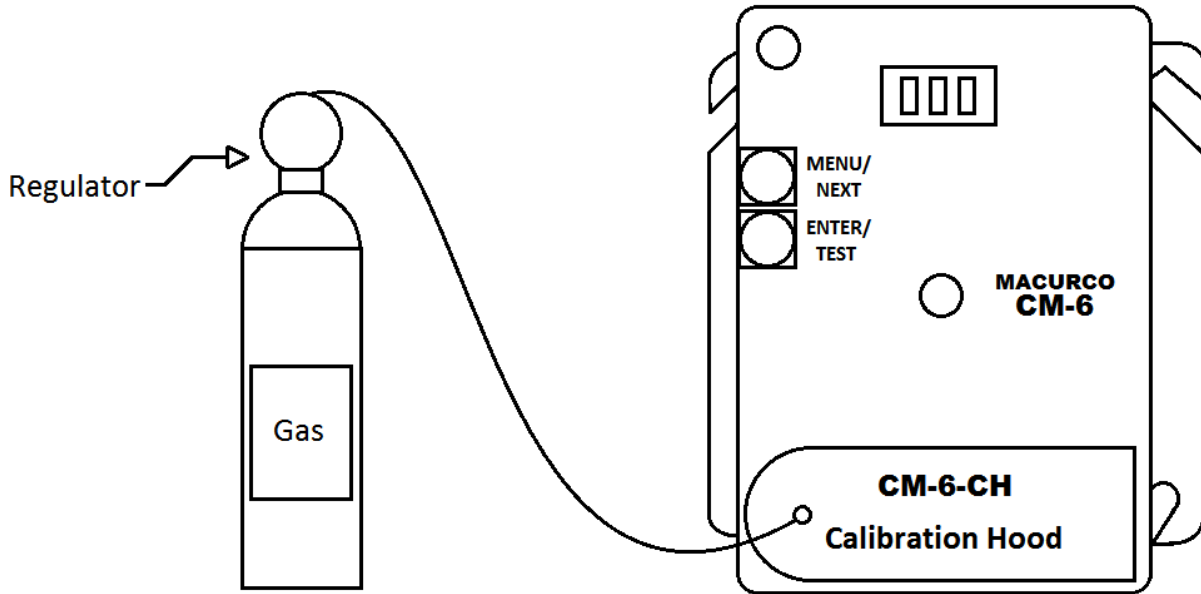


Figure 7-1 Calibration Kit Connection

7.3 Gas Testing

7.3.1 Testing the Fan Relay

1. Remove the Philips screw on the front of the CM-6. Remove the front cover.
 2. Open the Cal-Kit 1. Connect the 50-ppm gas cylinder to the regulator.
 3. Check the pressure gauge on the regulator. If you have 25-psi or less, you will need to replace the gas canister.
 4. Assemble regulator, hose and Test Hood and place the Test Hood over the CO sensor.
- Note:** The time to activate the Fan relay depends on the delay setting.
5. Turn on the regulator to start the gas flow and wait with the gas applied continuously.
 6. With the display function turned “On”, the CM-6 will show the current concentration of CO or “0” (zero) in clean air. When the CO concentration reaches the Fan Relay setting (35 ppm, for example) the display will flash back and forth between “FAn” and “current gas reding”. With the display function turned “Off”, the display does not show the CO concentration, but will show “FAn” as long as the fan relay is activated.

Note: If the Fan relay does not close within 2 minutes, there are four possibilities:

- a. Gas cylinder is empty, check the pressure gauge. Replace the gas cylinder if 25psi or less.
 - b. Unit needs to be re-calibrated (go through recalibration and re-test).
 - c. Detector is in need of servicing (return unit to factory for servicing).
 - d. Detector has fan relay set to disable (diS) or 100ppm. Set fan relay to 25ppm and repeat the test.
7. Remove the gas from the sensor. Proceed to Test the Alarm relay or replace the top cover.

7.3.2 Testing the Alarm Relay

Note: The CO concentration to activate the Alarm relay depends on the setting.

1. Connect the 200ppm cylinder of carbon monoxide to the regulator.
2. Check the pressure gauge. If there is 25psi or less the cylinder should be replaced.
3. Place the Test Hood over the CO sensor. Turn on the regulator to start the gas flow.
4. The Fan relay should activate according to the settings.

5. With the display function turned "On" and the CO concentration reaching the Alarm Relay setting, (200 ppm, for example) the display will flash back and forth between "ALr" and "current gas reading". The buzzer will sound indicating "Alarm" if the buzzer is turned "On". With the display function turned off the display does not show the CO concentration but will show "ALr" when the Alarm relay is activated.

Note: If the Alarm relay fails to operate within 2 minutes, there are four possibilities:

- a. Gas cylinder is empty, check the pressure gauge. Replace the gas cylinder if 25-psi or less.
 - b. Unit needs to be re-calibrated (go through recalibration and re-test).
 - c. Detector is in need of servicing (return unit to factory for servicing).
 - d. Detector has Alarm relay set to disable (diS). Set Alarm relay to 100 ppm and repeat the test.
6. Remove the gas from the sensor after Test. Proceed to Test the 4-20mA output or replace the top cover.

7.3.3 Testing the 4-20mA loop

1. Connect the 200-ppm cylinder of carbon monoxide to the regulator.
2. Check the pressure gauge. If there is 25-psi or less the cylinder should be replaced.
3. Place the cap from the regulator over the CO sensor. Turn on the regulator to start the gas flow.
4. The Fan relay should activate according to the settings.
5. The Alarm relay should activate according to the settings.
6. The 4-20 mA output should ramp up from 4mA in clean air to 20mA at 200 ppm. See 4-20 mA diagram on page 6.

Note: If the 4-20mA output does not ramp up within 2 minutes, there are four possibilities:

- a. Gas cylinder is empty, check the pressure gauge. Replace the gas cylinder if 25-psi or less.
 - b. Unit needs to be re-calibrated (go through recalibration and re-test).
 - c. Detector is in need of servicing (return unit to factory for servicing).
 - d. Detector has 4-20 mA option set to "OFF". Set 4-20mA option to "On" and repeat the test.
7. Remove the gas from the sensor. Re-assemble the CM-6 (make sure the LED is aligned with the front case hole). You are done.

7.3.4 Aerosol Carbon Monoxide Test

The CME1-FTG is an 11L 500 ppm Aerosol Carbon Monoxide Field Test Gas that can be used with the CM-xx. This field test gas allows installers to do a quick functionality test of the CO sensor. The flow rate of the CME1-FTG is 10 Lpm so you will have about a minute of gas or enough to test 20-30 sensors.

1. Units to be tested must be powered continuously for a minimum of 3 minutes before proceeding.
2. For optimum test results the unit should be in clean air and be in a low ambient air flow.
3. Check that the CM-6 status indicator light is illuminated, Green continuously. If not, do not proceed with tests. See CM-6 Onboard Diagnostics section.
4. The display option should be set to "On" and reading 0 ppm in clean air.
5. With the CM-6 cover on, aim the nozzle of the aerosol can into the sensor grate area (under DO NOT PAINT) and press for 2 to 3 seconds.
6. Wait for a few seconds. The digital display should climb indicating the increased CO concentration at the sensor confirming a pass of the quick test.

Note: If the Display does not change within 10 seconds, there are four possibilities:

- a. Gas cylinder is empty, replace the gas cylinder.
 - b. Unit needs to be re-calibrated (go through the Field Calibration Procedure and re-test).
 - c. Detector is in need of servicing (return unit to factory for servicing).
7. Wait for the display to return to 0 ppm and configure options to desired settings.

7.4 Field Calibration Procedure

Note: For optimum calibration results the unit should be in clean air and be in a low ambient air flow.

CM-xx has “CAL” top level menu that can be used to perform field calibration. ‘tSC’, ‘Spn’ and ‘End’ are sub-menu within “CAL” menu. ‘tSC’ is read only menu and represents the time since last calibration. If you enter this sub-menu, it will display value in format Y.MM. “MM” are for months and “Y” for year. E.g. if the value is 0.05 then it has been 5 months since the unit was last calibrated. ‘Spn’ sub-menu is used during field calibration procedure as described in following procedure. ‘End’ sub-menu is used to exit out of ‘CAL’ menu.

Follow the procedure below for field calibration.

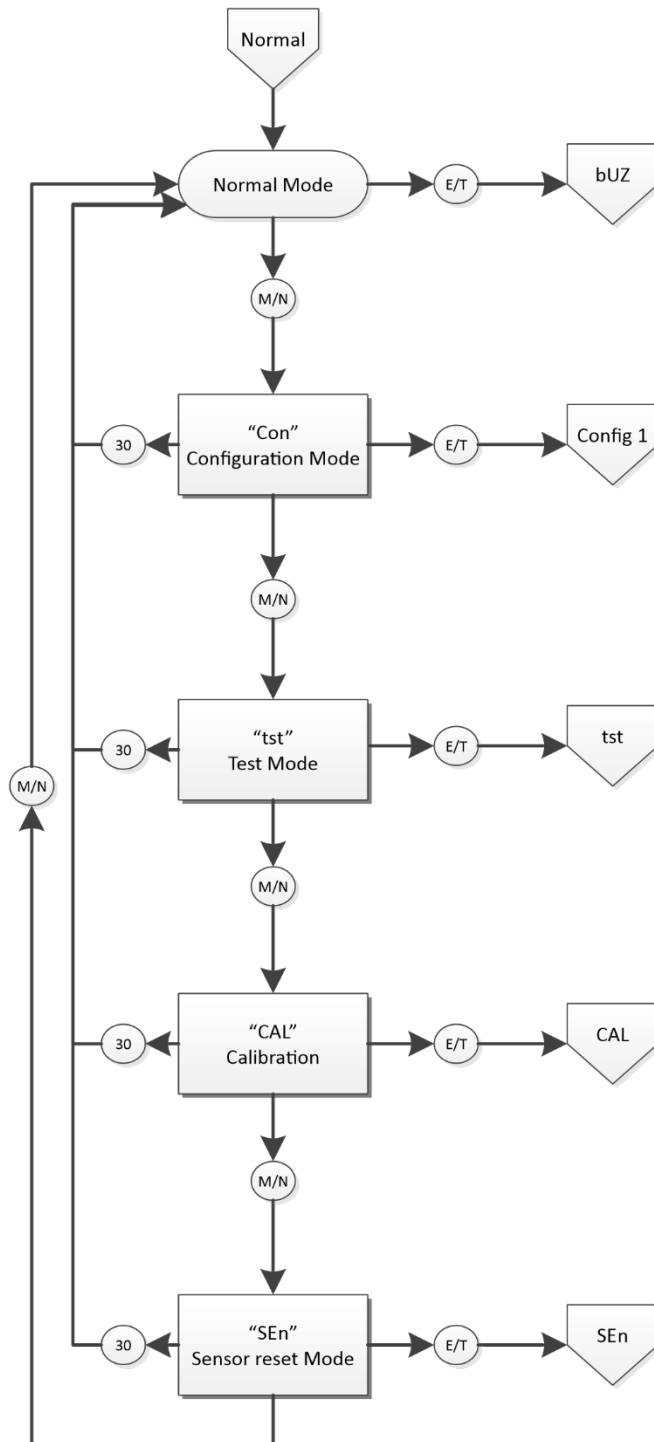
- a. Remove the Philips screw on the front of the CM-xx. Pull the front cover of the unit off.
- b. Assemble the 200-ppm gas cylinder and regulator together.
- c. Check the pressure gauge on the regulator. If you have 25-psi or less you will need to replace the gas canister.
- d. Place the test Hood from the regulator over the CO sensor.
- e. Push Next 3 times to get to the CAL menu then push Enter. It will display “tSC”. Push Next to go to “Spn” and push Enter. The display will flash back and forth between GAS and 200.
- f. Start applying gas to the CO sensor.
Note: The sensor will look for the gas for 90 seconds. If no gas is applied or detected in that time, the display will return to CAL.
- g. When the sensor detects the gas, the display will flash back and forth between the CO concentration and SPn, then the calibration will progress, and the display will show the gas level for a maximum of 165 seconds.
- h. When the calibration is successful, the display will flash back and forth between CO concentration and PAS, then the display will show the calibration gas level and the calibration is done.
- i. If the calibration fails, the display will flash back and forth between the CO concentration and “Fail”. If this occurs, check the pressure gauge on the regulator. If the pressure is less than 25 psi the flow of gas may not be adequate to properly calibrate the unit. If there is proper pressure in the cylinder repeat steps 4 through 6. If the unit fails to calibrate twice contact Technical Support: 1-844-325-3050.
- j. Once the calibration has passed, remove gas and disassemble the cylinder and regulator.
- k. Re-assemble the CM-xx (make sure the LED is aligned with the front case hole). You are done.
- l. See Calibration Flowchart on the inside of the housing.

8 Appendix A – Table of Images

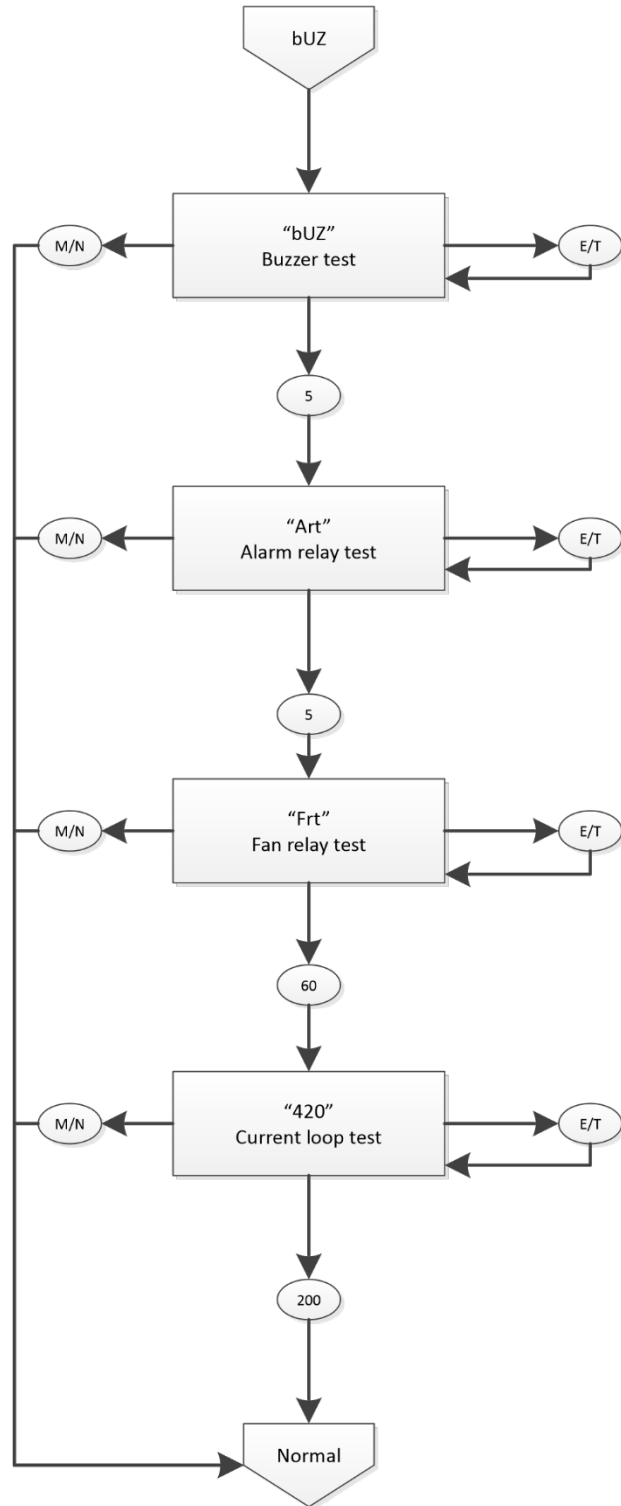
Figure 3-1 6-Series 4-20 mA Output diagram	8
Figure 3-2 6-Series Rear View	9
Figure 3-3 6-Series Alarm Control Panel diagram.....	9
Figure 3-4 6-Series DVP-120 Control Panel diagram	10
Figure 3-5 6-Series Multiple Device diagram	11
Figure 3-6 6-Series Stand Alone Diagram	11
Figure 3-7 6-Series Alternate Alarm Panel.....	11
Figure 3-8 6-Series Horn & Strobe Combo Wiring	12
Figure 3-9 12-Series 4-20 mA Output Diagram.....	13
Figure 3-10 12-Series Rear View	13
Figure 3-11 12-Series Stand Alone Diagram	14
Figure 3-12 12-Series Multiple Device Diagram.....	15
Figure 3-13 12-Series Alarm Control Panel Diagram	15
Figure 3-14 12-Series DVP-120 Control Panel Diagram	15
Figure 3-15 12-Series Alternate Alarm Panel.....	16
Figure 3-16 12-Series Horn & Strobe Combo Wiring	16
Figure 4-1 Board View.....	20
Table 5-1 Hexadecimal Display	24
Figure 7-1 Calibration Kit Connection.....	28

9 Appendix B – Menu Structure

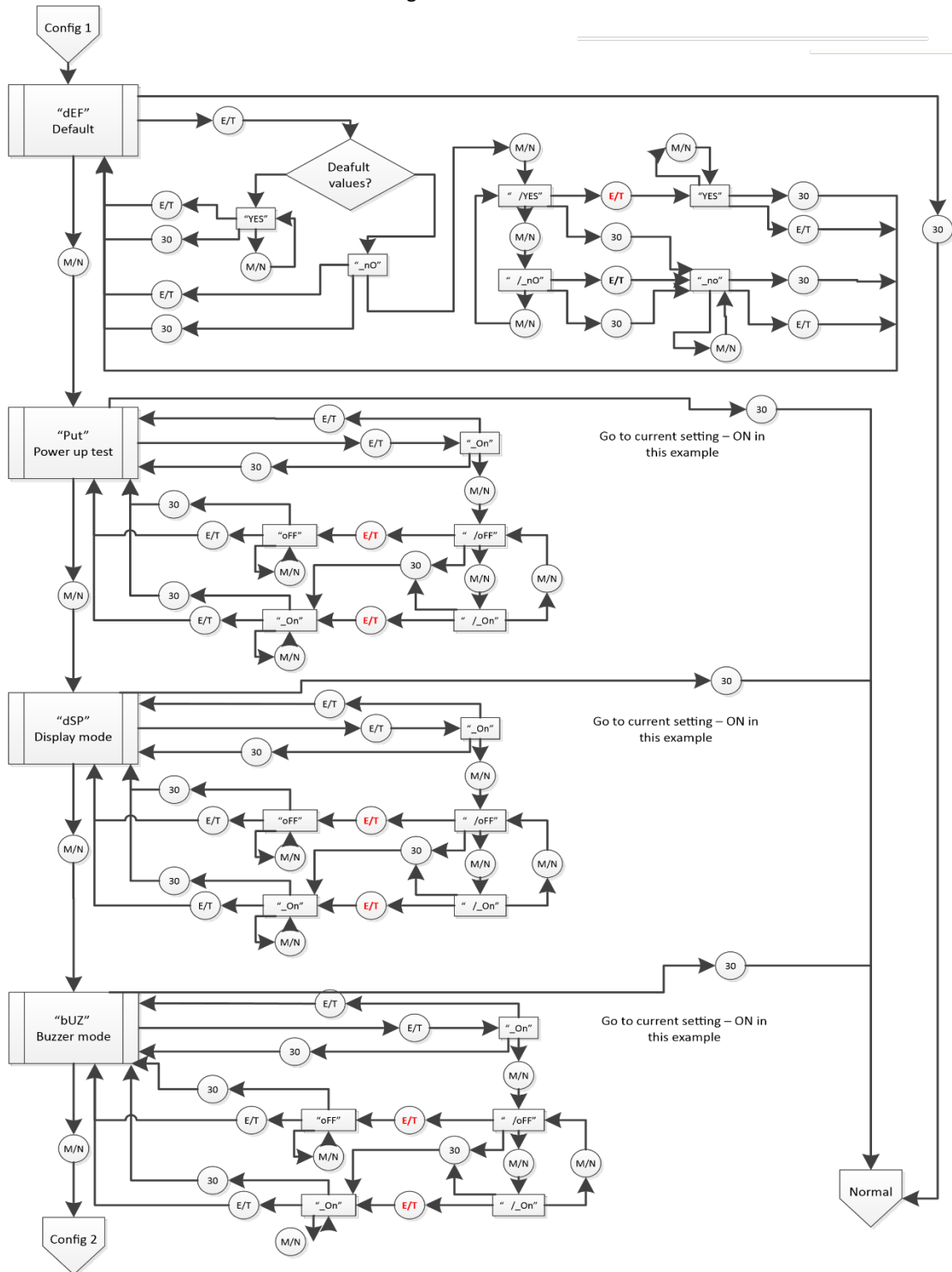
9.1 Main Menu

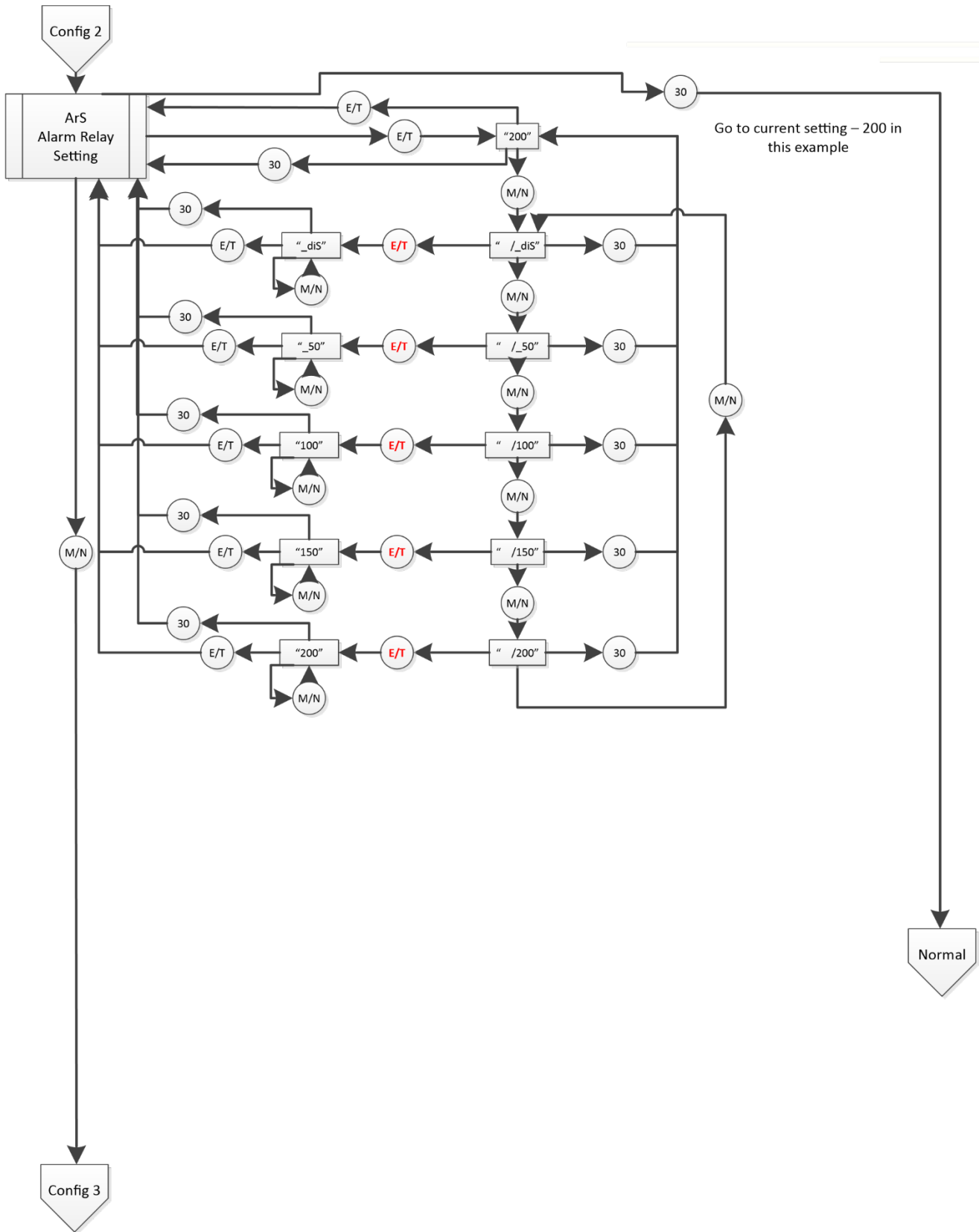


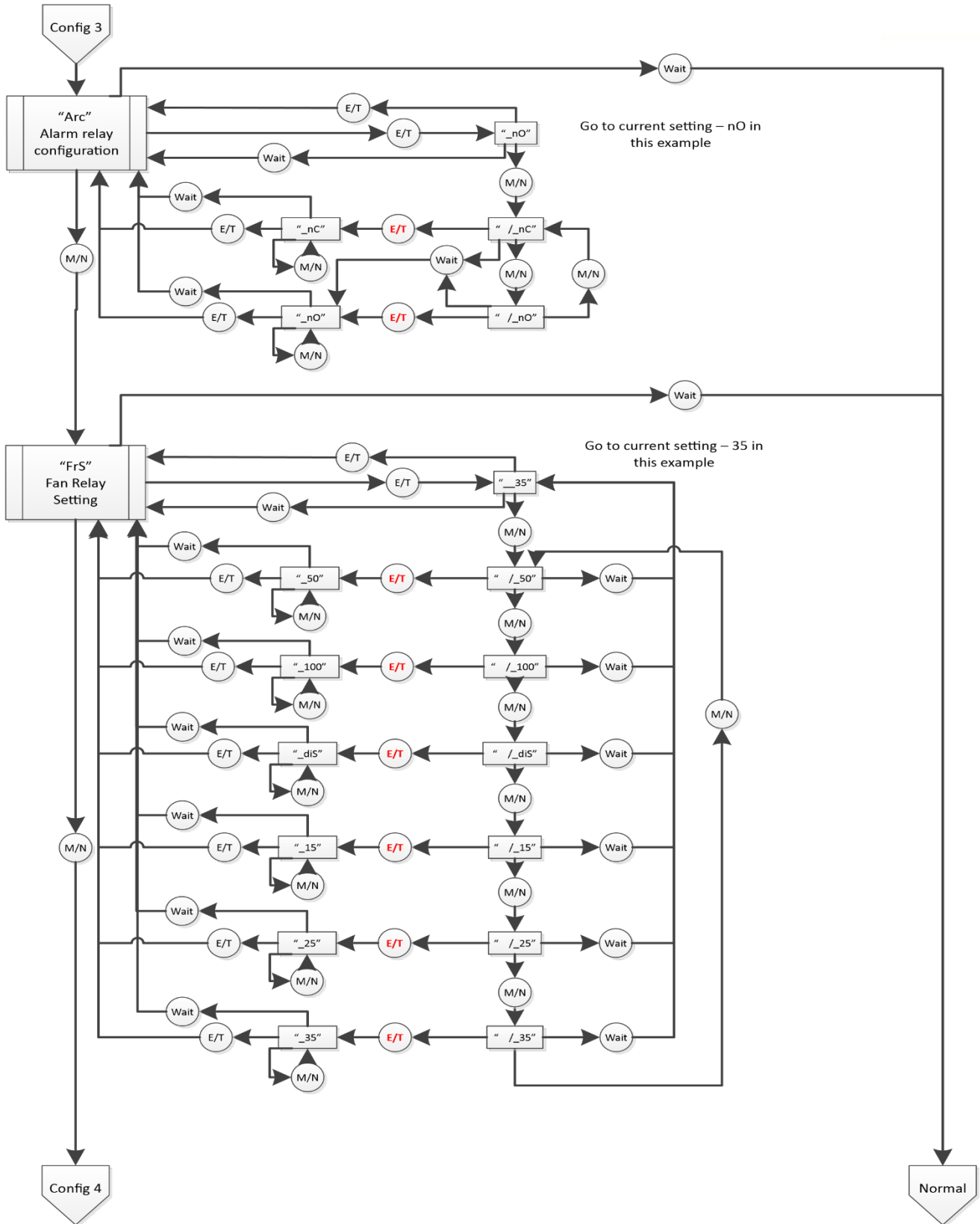
9.2 Auto Test Menu “bUZ”

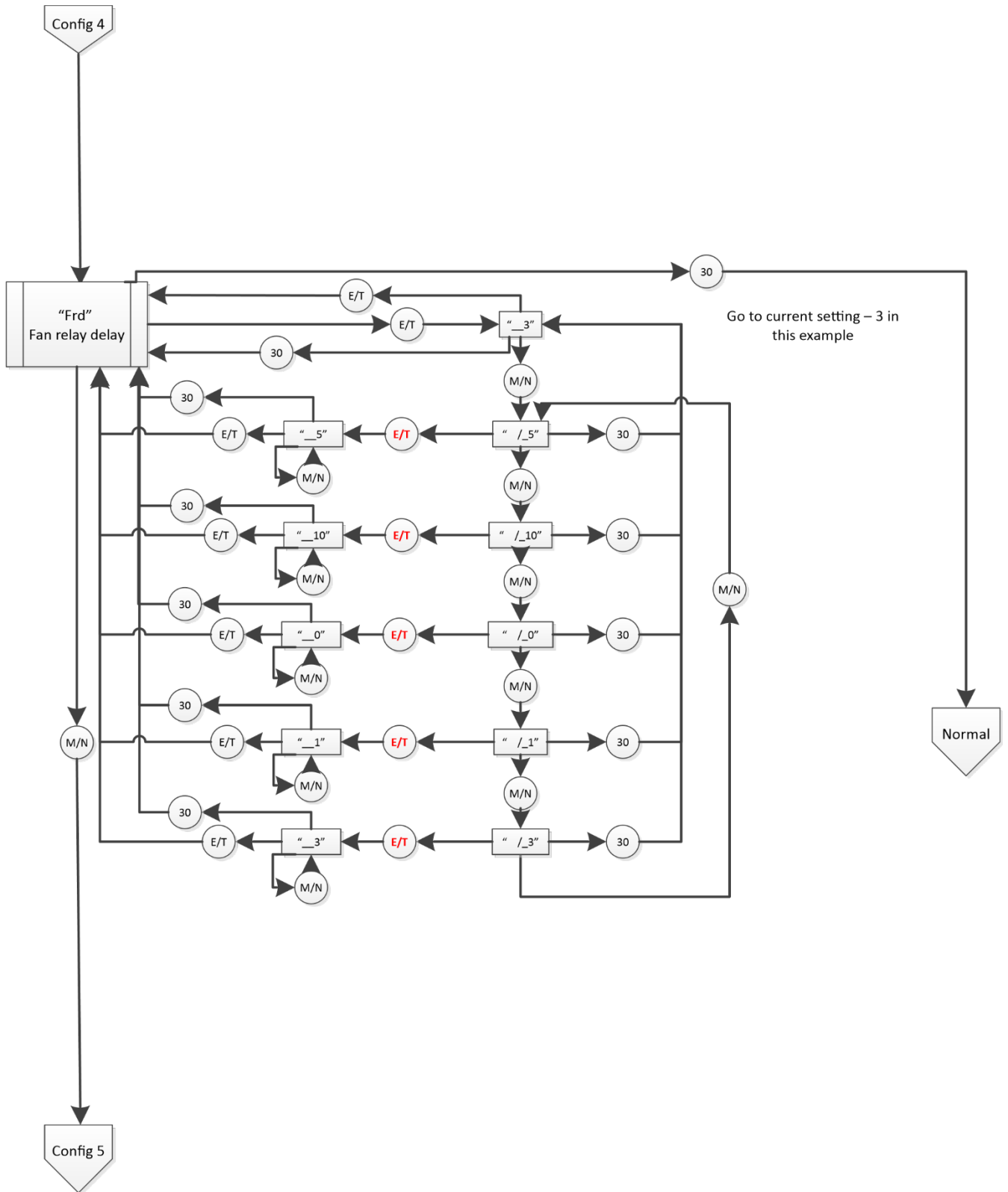


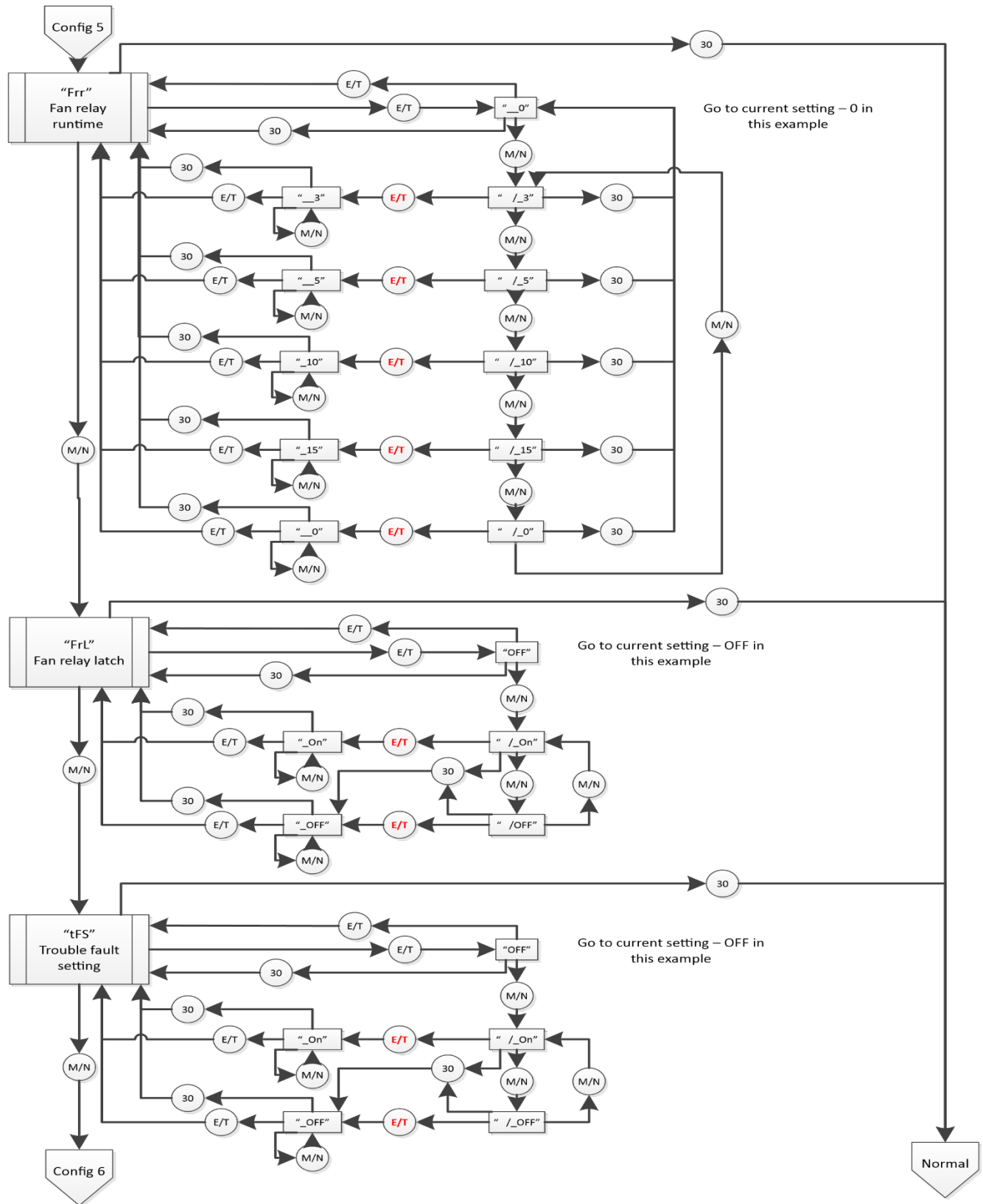
Configuration Menu "CON"

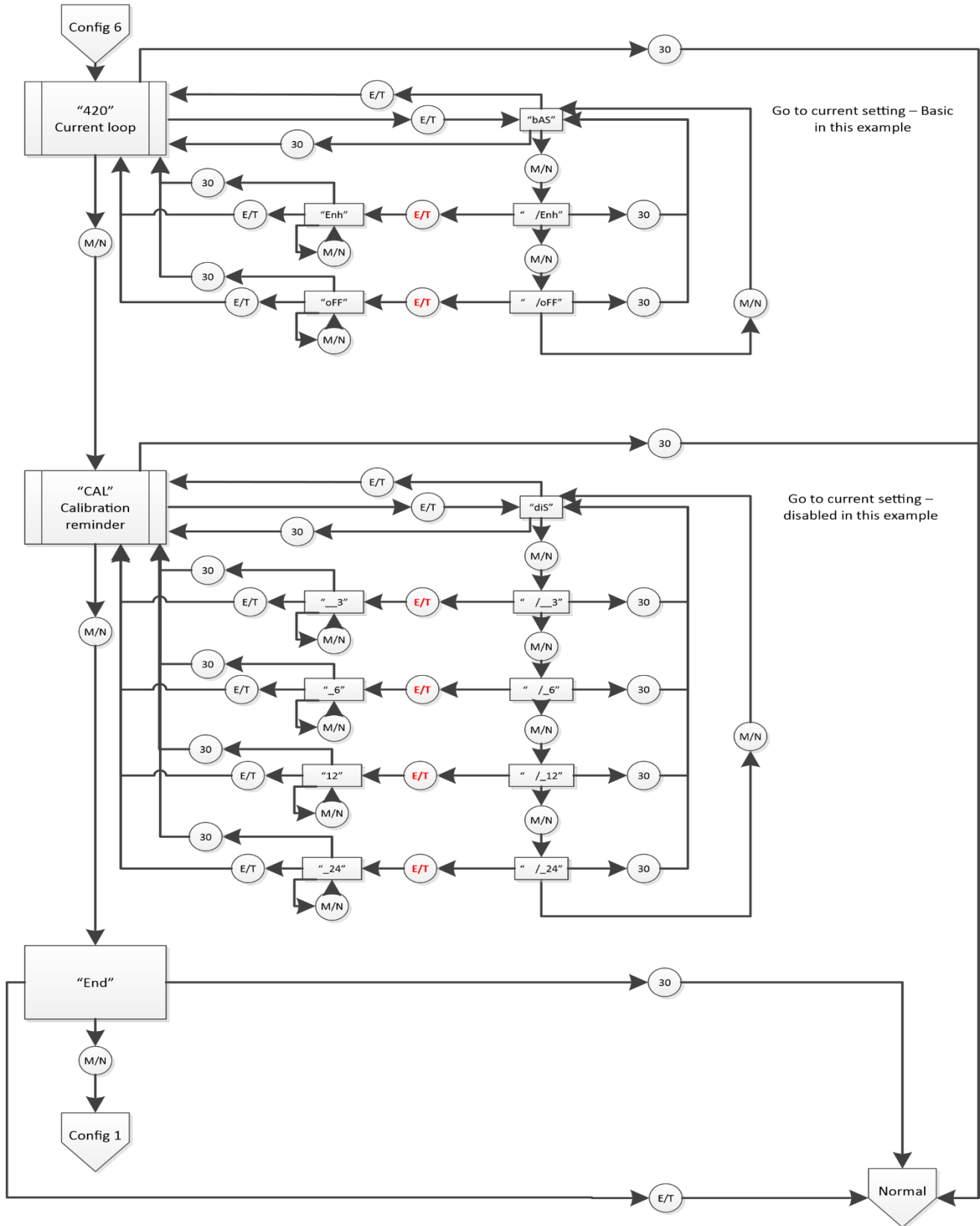








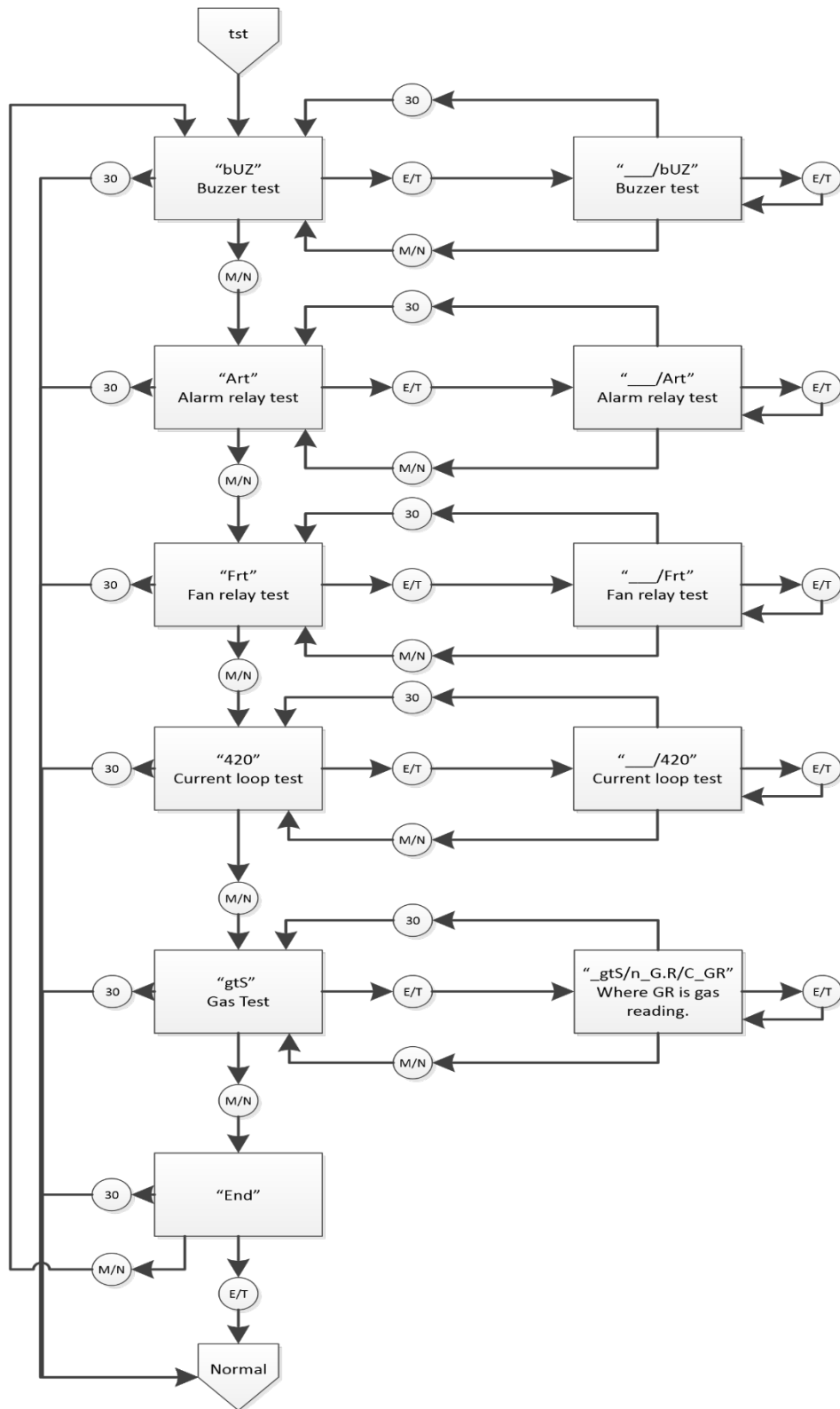




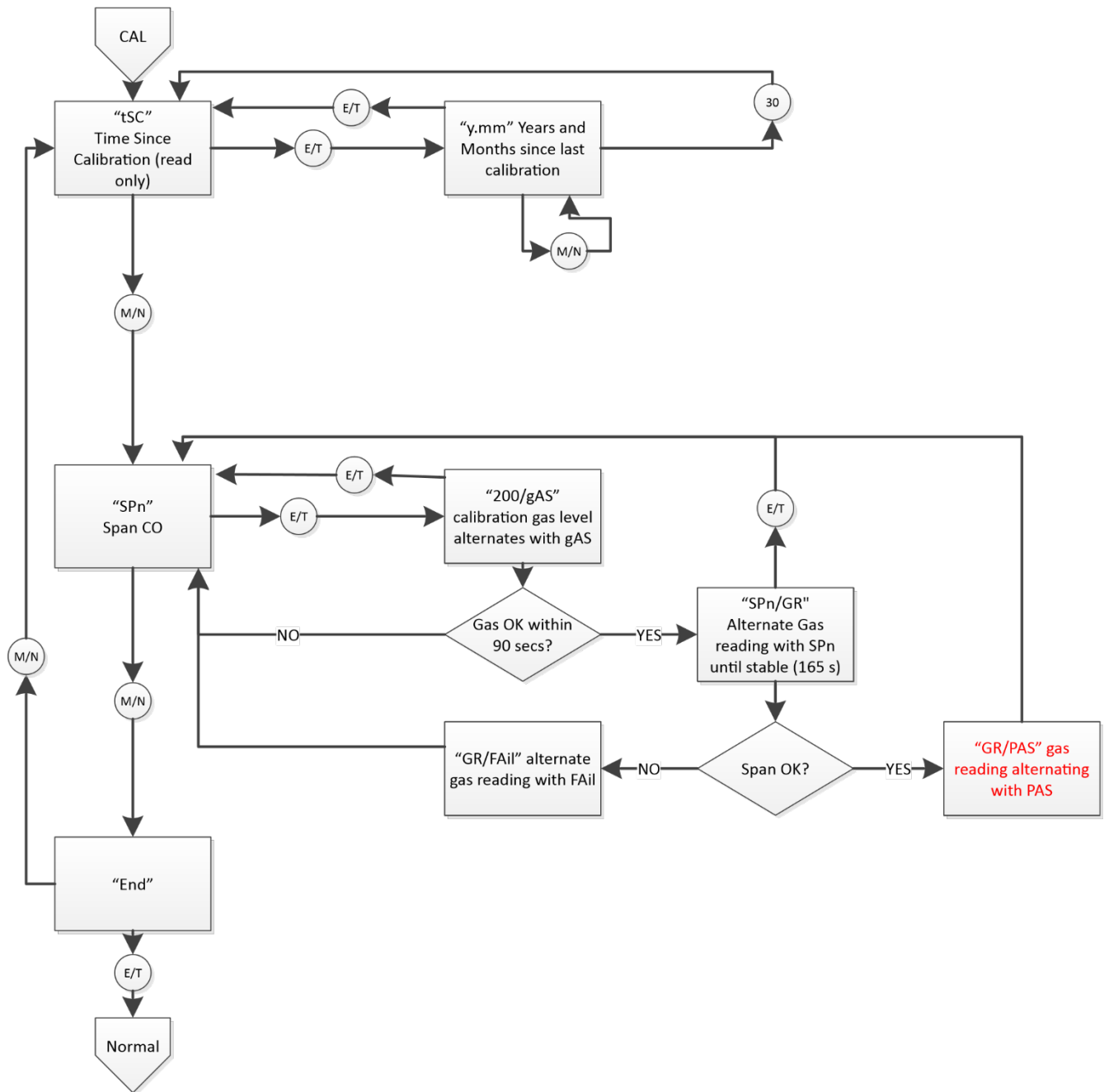
Go to current setting – Basic in this example

Go to current setting – disabled in this example

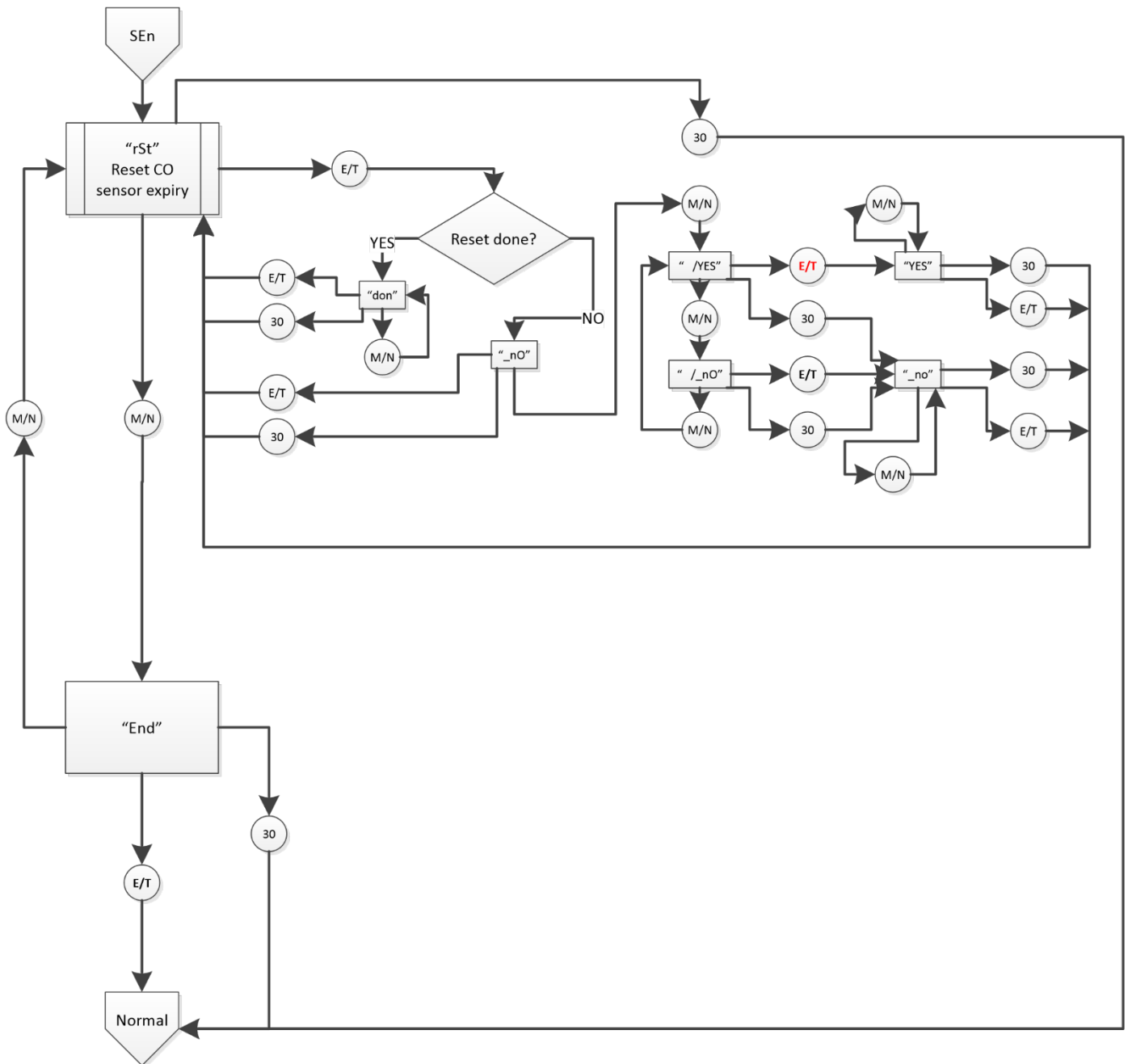
9.3 Select Test Menu "tst"



9.4 Calibration Menu "CAL"



9.5 Sensor Reset Menu "SEn"



11 Macurco Gas Detection Product limited warranty

Macurco warrants the CM-6 gas detector will be free from defective materials and workmanship for a period of two (2) years from date of manufacture (indicated on the inside cover of the CM-6), provided it is maintained and used in accordance with Macurco instructions and/or recommendations. If any component becomes defective during the warranty period, it will be replaced or repaired free of charge, if the unit is returned in accordance with the instructions below. This warranty does not apply to units that have been altered or had repair attempted, or that have been subjected to abuse, accidental or otherwise. The above warranty is in lieu of all other express warranties, obligations, or liabilities. THE IMPLIED WARRANTIES OF MERCHANTABILITY AND FITNESS FOR PARTICULAR PURPOSE ARE LIMITED TO A PERIOD OF TWO (2) YEARS FROM THE PURCHASE DATE. Macurco shall not be liable for any incidental or consequential damages for breach of this or any other warranty, express or implied, arising out of or related to the use of said gas detector. Manufacturer or its agent's liability shall be limited to replacement or repair as set forth above. Buyer's sole and exclusive remedies are return of the goods and repayment of the price, or repair and replacement of non-conforming goods or parts.

Macurco Gas Detection

3601 N. St. Paul Avenue
Sioux Falls, SD 57104

Technical Support Contact Information

Phone: 1-844-325-3050
Fax: 1-605-951-9616
Email: support@macurco.com
Website: www.macurco.com/support

General Contact Information

Phone : 1-877-367-7891
Fax : 1-605-951-9616
Email : info@macurco.com
Website: www.macurco.com

Rev - 1.2

Issue Date: 6/23/2021

Document No: 34-2900-0511-6

© Aerionics 2021. All rights reserved.

Macurco is a trademark of Aerionics, Inc.





Macurco™ CM-6, CM-12

Détecteur de monoxyde de carbone, contrôleur et transducteur

Mode d'emploi



IMPORTANT: Conservez ces instructions d'utilisation à titre de référence.

Table des matières

- 1 Consignes de sécurité générales
 - 74
 - 7
 - 1.1 Description générale
 - 74
 - 7
 - 1.2 Liste des avertissements et mises en garde
 - 74
 - 7
- 2 Utilisez les instructions et les limitations
 - 85
 - 8
 - 2.1 Utilisation pour
 - 85
 - 8
 - 2.2 Ne pas utiliser pendant
 - 85
 - 8
 - 2.3 Features
 - 106
 - 10
 - 2.4 Spécifications
 - 106
 - 10
 - Basse tension
 - 106
 - 10 de la série 2.4.16
 - Tension de ligne de la série 2.4.212
 - 106
 - 10
- 3 Instructions d'installation
 - 117
 - 11
 - 3.1 Location
 - 117
 - 11
 - 3.2 Installation
 - 117
 - 11
 - Basse tension
 - 117
 - 11 de la série 3.2.16
 - Tension de ligne de la série 3.2.212
 - 1612
 - 16

- 3.3 Raccordement terminal.....
 - 2116.....
 - 21
 - Basse tension de la série 3.3.16.....
 - 2116.....
 - 21
 - Tension de ligne de la série 3.3.212.....
 - 2117.....
 - 21
- 4 Opérations.....
 - 2218.....
 - 22
 - 4.1 Puissance en hausse.....
 - 22 de 18.....
 - 22
 - 4.2 Affichage activé.....
 - 2318.....
 - 23
 - 4.3 Affichage désactivé.....
 - 2318.....
 - 23
 - Boucle de 4,44-20 mA.....
 - 2318.....
 - 23
 - 4.5 Déviation - Paramètres.....
 - 24 d'usine 20.....
 - 24
 - 4.5.1 Sélection de la configuration par défaut - « DEF ».....
 - 2520.....
 - 25
 - 4.5.2 Réglage du test de puissance - P Ut.....
 - 2521.....
 - 25
 - 4.5.3 Réglage de la diffusion - « DSP ».....
 - 2521.....
 - 25
 - 4.5.4 Réglage de l'éblouissement - BUZ.....
 - 2521.....
 - 25
 - 4.5.5 Réglage du relais d'arme - « ArS ».....
 - 2521.....
 - 25
 - 4.5.6 Configuration du relais d'arme - Arc.....
 - 2521.....
 - 25
 - 4.5.7 Résamement du relais - « FrS ».....
 - 2621.....
 - 26

- 4.5.8 Redité du retard du relais - Frd
2622
26
- 4.5.9 Résur le réglage minimal d'exécution du relais - Frr
2622
26
- 4.5.10 Récupération du relais de l'air - « FrL »
2622
26
- 4.5.11 Réglage du ventilateur d'attention - « tFS »
2622
26
- 4.5.124-20mA Réglage de sortie - « 420 »
2622
26
- 4.5.13 Paramètres de la période de délibération - CAL
2722
27
- 5 In troubleshooting
2723
27
- 5.1 Diagnostics sur carte
2723
27
- 5.1.14-20mA dépannage
2723
27
- Codes d'erreur de 5,1,2 t
2723
27
- 5.2 Poisons de
29 capteurs 24
29
- 5.3 Signal de fin de vie
2924
29
- 6 Maintenance
2924
29
- 6.1 Reset de la durée de vie des
30 capteurs 24
30
- 6.2 Nettoyage
3025
30
- 7 Test
3025
30

7.1 Test 3125
..... 31
7.1.1 Test d'opération
3125
31
7.1.2 Test d'opération manuelle
3126
31
7.2 Calibrage et trousse
33 d'essai 26
33
7.3 Étentes de
34 gaz 27
34
7.3.1 Test du relais de ventilateur
3427
34
7.3.2 Test du relais d'alarme
3428
34
7.3.3 Test de la boucle 4-20mA
3528
35
7.3.4 Test de monoxyde de carbone d'Aérosol
3528
35
7.4 Procédure d'étalonnage des
36 champs 29
36
8 Appendix A - Tableau des images
3730
37
9 Appendix B - Structure du menu
3831
38
9.1 Tente menu
38 principal 31
38
9.2 Menu test automatique « bUZ »
3932
39
9.3 Sélectionnez le menu test « tst »
4639
46
9.4 Menu de délibération « CAL »
4740
47

9.5 Menu de réinitialisation des capteurs « SEn »
 4841
 48

11 Macurco Garantie limitée du produit de détection de
 49gaz 42
 49

Coordonnées du support technique4942
..... 49

Coordonnées générales4942
..... 49

1 Renseignements généraux sur la sécurité

Les instructions suivantes sont destinées à servir de ligne directrice pour l'utilisation du détecteur de monoxyde de carbone MacurcoCM-6 et CM-12. Ce manuel fera référence à ces appareils comme CM-xx, sauf si le contenu est spécifique à un modèle. Ce manuel ne doit pas être considéré comme tout compris et ne vise pas non plus à remplacer la politique et les procédures de votre établissement. Si vous avez des doutes quant à l'applicabilité de l'équipement à votre situation, consultez un hygiéniste industriel ou appelez le soutien technique au 1-844-325-3050.

1.1 Description générale

Le Macurco CM-xx est un détecteur, un contrôleur et un transducteur de monoxyde de carbone (CO) à deux relais. Disponible en option basse tension (CM-6) et tension de ligne (CM-12). Le CM-xx offre des options sélectionnables de sortie 4-20 mA, de sonnerie et d'affichage numérique. Il s'agit d'un système de détection électronique utilisé pour mesurer la concentration de monoxyde de carbone et fournir une rétroaction et un contrôle automatique des ventilateurs d'échappement pour aider à réduire les concentrations de CO dans les garages de stationnement, les installations d'entretien ou d'autres applications commerciales. Le CM-xx est un compteur de bas niveau capable d'afficher dans la gamme 0-200 ppm (parties par million) de monoxyde de carbone. Le CM-xx est étalonné en usine et testé à 100% pour un bon fonctionnement, mais peut également être étalonné sur le terrain.

1.2 Liste des avertissements et mises en garde

 AVERTISSEMENT (en)
Chaque personne utilisant cet équipement doit lire et comprendre les informations contenues dans ce manuel d'utilisation avant de l'utiliser. L'utilisation de cet équipement par des personnes non formées ou non qualifiées ou une utilisation qui n'est pas conforme à ce manuel d'utilisation peut nuire à la performance du produit.
Utiliser uniquement pour surveiller le gaz que le capteur et le moniteur sont conçus pour détecter. Le non-respect de cette mesure peut entraîner des expositions à des gaz non détectables et causer des blessures graves, voire mortelles. Pour une utilisation appropriée, consultez le superviseur ou le manuel d'utilisation, ou communiquez avec le service d'assistance technique au 1-844-325-3050.
Cet équipement peut ne pas fonctionner efficacement en dessous de 0°F ou au-dessus de 125°F (-18°C ou au-dessus de 52°C). L'utilisation du détecteur à l'extérieur de cette plage de température peut nuire à la performance du produit.
Ce détecteur aide à surveiller la présence et le niveau de concentration d'un certain gaz aéroporté spécifié. Une mauvaise utilisation peut produire une lecture inexacte, ce qui signifie que des niveaux plus élevés du gaz surveillé peuvent être présents et entraîner une surexposition et causer des blessures graves ou la mort. Pour une utilisation appropriée, consultez le superviseur ou le manuel d'utilisation, ou communiquez avec le service d'assistance technique au 1-844-325-3050.
Les bornes à haute tension (120/240 VCA) sont situées à l'intérieur de ce détecteur, ce qui présente un danger pour les techniciens d'entretien. Seuls des techniciens qualifiés doivent ouvrir le boîtier du détecteur et faire l'entretien des circuits internes. Assurez-vous que l'alimentation est hors tension des relais du détecteur avant d'entretenir l'appareil. Le non-respect de cette mesure peut entraîner un choc électrique.
Ne démontez pas l'appareil et n'essayez pas de réparer ou de modifier un composant de cet appareil. Cet instrument ne contient aucune pièce pouvant être mise en service par l'utilisateur, et la substitution de composants peut nuire aux performances du produit.
L'utilisation d'un gaz certifié dont la concentration est autre que celle indiquée pour ce détecteur lors d'un essai d'étalonnage ou de vérification de l'étalonnage (essai de bosses) produira des lectures inexactes. Cela signifie que des niveaux plus élevés du gaz surveillé peuvent être

présents et entraîner une surexposition. Pour une utilisation appropriée, consultez le superviseur ou le manuel d'utilisation, ou communiquez avec le service d'assistance technique au 1-844-325-3050.

Les étapes suivantes doivent être effectuées lors d'un essai d'étalonnage ou de vérification de l'étalonnage (essai de bosse) afin d'assurer le bon fonctionnement du moniteur. Le non-respect de cette mesure peut nuire à la performance du produit.

- Lors d'un essai d'étalonnage ou de vérification d'étalonnage (essai de bosses), n'utiliser que du gaz d'étalonnage certifié au niveau de concentration requis.
- Ne pas tester avec du gaz d'étalonnage expiré.
- Ne pas couvrir ou obstruer l'écran ou le couvercle de l'alarme visuelle.
- Assurez-vous que les entrées des capteurs ne sont pas obstruées et exemptes de débris

Le non-respect des instructions décrites dans ce manuel d'utilisation peut entraîner la maladie ou la mort.

2 Mode d'emploi et limitations

AVERTISSEMENT (en)

Chaque personne utilisant cet équipement doit lire et comprendre les informations contenues dans ce manuel d'utilisation avant de l'utiliser. L'utilisation de cet équipement par des personnes non formées ou non qualifiées ou une utilisation qui n'est pas conforme à ce manuel d'utilisation peut nuire à la performance du produit.

2.1 Utiliser pour

Le CM-xx assure la détection du CO et le contrôle automatique des ventilateurs d'échappement pour les installations d'entretien automobile, les garages de stationnement fermés, les buanderies, les entrepôts et d'autres applications commerciales. LeCM-xx répond aux exigences du Code uniforme du bâtiment pour les garages fermés et répond aux normes osha pour l'exposition au CO. Cm-xx peut être utilisé seul, avec le panneau de contrôle de détection et de ventilation Macurco DVP-120, d'autres panneaux d'incendie/sécurité 12 VAC ou 24 VDC ou des systèmes d'automatisation des bâtiments.

AVERTISSEMENT (en)

Utiliser uniquement pour surveiller le gaz que le capteur et le moniteur sont conçus pour détecter. Le non-respect de cette mesure peut entraîner des expositions à des gaz non détectables et causer des blessures graves, voire mortelles. Pour une utilisation appropriée, consultez le superviseur ou le manuel d'utilisation, ou communiquez avec le service d'assistance technique au 1-844-325-3050.

2.2 Ne pas utiliser pour

Le CM-xx n'est pas conçu pour être utilisé dans des endroits dangereux ou des applications industrielles telles que des raffineries, des usines chimiques, etc. Ne pas monter leCM-xx lorsque la température ambiante normale est inférieure à 0°F ou supérieure à 125°F (-18°C ou supérieure à 52°C). Le CM-xx se monte sur une boîte électrique de type 4S fournie par l'entrepreneur. N'installez pas le CM-xx à l'intérieur d'une autre boîte à moins qu'il ait une bonne circulation d'air à travers elle.

 **AVERTISSEMENT (en)**

Cet équipement peut ne pas fonctionner efficacement en dessous de 0°F ou au-dessus de 125°F (-18°C ou au-dessus de 52°C). L'utilisation du détecteur à l'extérieur de cette plage de température peut nuire à la performance du produit.

2.3 Caractéristiques de l'

- ETL LISTED Certifié CSA C22.2 No 61010-1, Conforme à ul std. 61010-1, UL Std. 2075¹
- Compteur de bas niveau capable d'afficher de 0 à 200 ppm de CO
- Le CM-xx répond au Code du bâtiment uniforme pour les garages fermés et répond aux normes osha pour l'exposition au CO
- Activation sélectionnable du ventilateur et du relais d'alarme
- 5 Un relais de ventilateur SPDT contrôle les démarreurs des ventilateurs d'échappement
- 0,5 Un relais d'alarme N.O. ou N.C. se connecte à des dispositifs d'avertissement ou à des panneaux de contrôle
- Boucle de courant de 4-20 mA
- CM-xx se monte sur une boîte électrique 4x4 standard et devient couverture pour la boîte
- Système supervisé : tout problème de détecteur interne fera activer le ventilateur et le relais d'alarme
- Le kit d'étalonnage est disponible. Une vis permet l'accès pour l'étalonnage ou l'essai de gaz

¹Lorsque les règlements fédéraux, étatiques, locaux ou l'Autorité compétente l'exigent, les normes CM-6 et CM-12 doivent être utilisées avec les modèles de corne/stroboscopique 78-2900-0211-X* pour satisfaire aux exigences d'audibilité 85dB(A) des normes UL 2075.

*Où « X » représente la couleur de couverture d'objectif, R pour la couverture rouge d'objectif, G pour la couverture verte d'objectif, B pour la couverture bleue d'objectif, O pour la couverture ambrée d'objectif, C pour la couverture claire d'objectif.

2.4 Les spécifications

- Poids d'expédition: 1 livre (0,45 kg)
- Taille: 4 1/2 x 4 x 2 1/8 po (11,4 X 11,4 X 5,3 cm)
- Couleur: Blanc ou Gris foncé
- Connexions: prises/bornes
- Boîte de montage: (non inclus) 4x4 électrique
- Relais de ventilateur : 5 A, 240 VAC, service pilote, SPDT, verrouillage ou non verrouillable
- Actionnement du relais du ventilateur: sélectionnable à diS (désactiver), 15 ppm, 25 ppm, 35 ppm (par défaut), 50 ppm ou 100 ppm CO
- Réglages de retard du ventilateur de 0, 1, 3 (par défaut), 5 et 10 minutes
- Les paramètres d'exécution minimum du relais de ventilateur sont de 0 (par défaut), 3, 5, 10 ou 15 minutes
- Verrouillage du relais du ventilateur ou non verrouillable (par défaut) sélectionnable
- Relais d'alarme: 0,5 A 120 V, 60 VA
- Actionnement du relais d'alarme: N.O. sélectionnable(par défaut) ou N.C.
- Paramètres du relais d'alarme: diS, 50 ppm, 100 ppm, 150 ppm et 200 ppm (par défaut)
- Boucle actuelle, 4-20 mA pour 0-200 ppm CO, sélectionnable à 'bAS'(par défaut), 'EnH', OFF
- Paramètres de la période d'étalonnage: dis(default), 3, 6, 12 et 24 (mois)
- Avertisseur sonore: 85 dBA à 10cm settable à off (par défaut) ou sur
- Affichage numérique: DEL à 3 chiffres sélectionnable à off (par défaut) ou en cours d'arrêt.
- Environnement d'exploitation: 0°F à 125° F (-18°C à 52°C), 10 à 90% HR non-condensation

2.4.1 Basse tension de la série 6

- Puissance: 3 W (max) de 12 à 24 VAC ou 12 à 32 VDC
- Courant @ 24 VDC: 75 mA en alarme (deux relais), 50 mA (relais de ventilateur seulement) et 23 mA en veille

2.4.2 Tension de ligne de la série 12

- Puissance: 100-240VAC (50 À 60 HZ)
- Courant: 1.0 A MAX

3 Instructions d'installation

AVERTISSEMENT (en)

Ce détecteur aide à surveiller la présence et le niveau de concentration d'un certain gaz aéroporté spécifié. Une mauvaise utilisation peut produire une lecture inexacte, ce qui signifie que des niveaux plus élevés du gaz surveillé peuvent être présents et entraîner une surexposition et causer des blessures graves ou la mort. Pour une utilisation appropriée, consultez le superviseur ou le manuel d'utilisation, ou communiquez avec le service d'assistance technique au 1-844-325-3050.

3.1 Emplacement de l'hôtel

Un CM-xx est normalement monté au niveau respiratoire, à environ 5 pieds (1,5 mètre) au-dessus du plancher sur un mur ou une colonne dans une zone centrale où le mouvement de l'air est généralement bon. L'unité peut, en moyenne, couvrir environ 5 000 pieds carrés (465 mètres carrés) à 7 500 pi² (697 mètres carrés). La couverture dépend du mouvement de l'air à l'intérieur de la pièce ou de l'installation. Des détecteurs supplémentaires peuvent être nécessaires près de tous les endroits où les gens travaillent ou où l'air stagne. Certains des facteurs qui influent sur la zone de couverture sont le type d'application, les aires de travail et les mouvements du personnel, la taille de la pièce, le mouvement de l'air, la menace potentielle, l'emplacement de montage, ainsi que d'autres facteurs propres au site qui doivent être pris en considération. Veuillez vérifier les réglementations ou exigences locales avant l'installation. Le CM-xx se monte sur une boîte électrique 4x4 fournie par l'entrepreneur. N'installez pas le CM-xx à l'intérieur d'une autre boîte à moins qu'il ait une bonne circulation d'air à travers elle. Ne pas monter le CM-xx lorsque la température ambiante normale est inférieure à 0°F ou supérieure à 125°F (inférieure à -18°C ou supérieure à 52°C).

AVERTISSEMENT (en)

Les bornes haute tension (120/240 VAC) sont situées à l'intérieur de ce détecteur (CM-12), ce qui présente un danger pour les techniciens d'entretien. Seuls des techniciens qualifiés doivent ouvrir le boîtier du détecteur et faire l'entretien des circuits internes. Assurez-vous que l'alimentation est hors tension des relais du détecteur avant d'entretenir l'appareil. Le non-respect de cette mesure peut entraîner un choc électrique.

3.2 L'installation

3.2.1 Basse tension de la série 6

1. Le CM-6 se monte sur une boîte électrique carrée de 4 po (ou 4 x 4 po) fournie par l'entrepreneur. Ne pas monter le CM-6 à l'intérieur d'une autre boîte, à moins qu'il n'y ait une bonne circulation d'air à travers elle.
2. Branchez le CM-6 à l'alimentation de classe 2 seulement. Il est suggéré d'utiliser un transformateur distinct pour alimenter l'unité ou les unités en raison d'interférences possibles provenant d'autres appareils sur la même alimentation.
3. Branchez le CM-6 aux câbles de commande à l'aide de fiches de bornes. Lorsque vous faites des connexions, assurez-vous que l'alimentation est coupée.
4. Il y a deux bornes pour power: 12 à 24 VAC ou 12 à 32 VDC, sans préférence de polarité.
5. Il y a deux bornes pour les contacts secs de relais d'alarme, encore une fois sans la préférence de polarité. Le relais d'alarme peut passer jusqu'à 0,5 A 120 V ou 60 VA. Le relais d'alarme est activé si le gaz atteint ou dépasse les paramètres d'alarme. Voir la section [4.5 Paramètres par défaut – Usine de ce manuel](#) d'utilisation pour plus de détails sur les paramètres du relais.

6. Le relais d'alarme peut être configuré pour s'ouvrir normalement (par défaut) (N.O.) ou normalement fermé (N.C.) et s'activera si la concentration de gaz dépasse le point de réglage de l'alarme. Il se désactivera une fois que la concentration de gaz descend sous le point de mise en alarme. Notez que le réglage de désactivation fera en sorte que le relais d'alarme ne s'enclenchera pas du tout.
7. Le contact sec, relais de ventilateur de SPDT a trois bornes. Le contact commun (COM.), normalement ouvert (N.O.) et normalement fermé (N.C.). Le relais du ventilateur peut passer jusqu'à 5,0 A jusqu'à 240 VCA. Voir la section [4.5 Paramètres par défaut – Usine de ce manuel](#) d'utilisation pour plus de détails sur les paramètres du relais.
8. Le relais du ventilateur peut être configuré pour le verrouillage ou le non-verrouillage (par défaut) lorsqu'il est activé (lorsque la concentration de gaz dépasse le point de réglage du relais du ventilateur). Une fois verrouillé, l'alimentation devra être interrompue ou le bouton « TEST » appuyé pour débrancher l'état du relais.
9. Le relais du ventilateur s'enclenche si la concentration de monoxyde de carbone du ventilateur est dépassée pendant plus longtemps que le temps de retard du relais du ventilateur. À moins qu'il ne soit configuré pour le verrouillage, le relais du ventilateur se désengagera une fois que les deux conditions auront été remplies :
 - La concentration de monoxyde de carbone est tombée sous le réglage du ventilateur
 - Le temps d'exécution du relais du ventilateur a été dépasséNotez que le réglage de désactivation du ventilateur fera en sorte que le relais du ventilateur ne s'enclenchera pas. Le relais du ventilateur s'enclenchera en état de panne (si l'option de réglage du ventilateur de dérangement est réglée sur « ON ») et se désengagera une fois que l'état de défaut de panne sera effacé.
10. La boucle actuelle est de 4 mA dans l'air pur et de 4-20 mA pour 0-200ppm CO

NOTE: 22 à 12 fils AWG doivent être utilisés. Le fil utilisé doit respecter la plage de température du détecteur, c'est-à-dire de 0°F à 125°F (-18°C à 52°C).

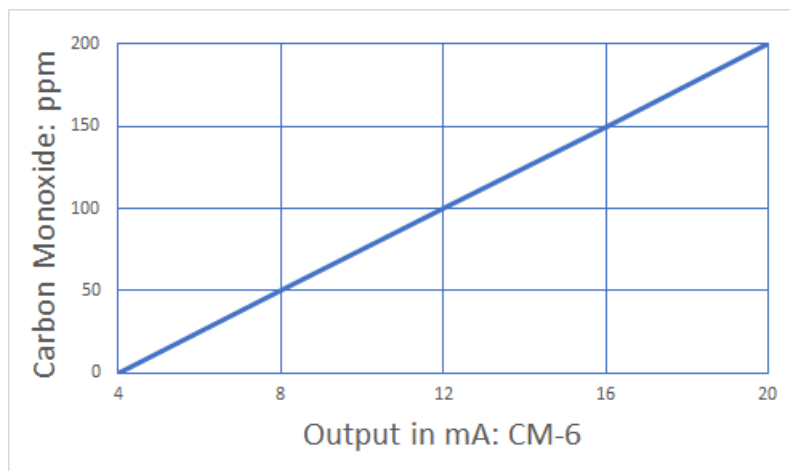


Figure 3-1 Diagramme de sortie de 6 séries 4-20 mA

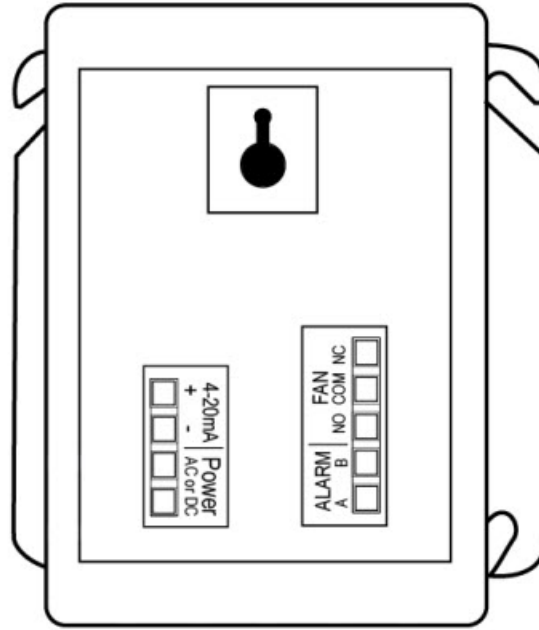


Figure 3-2 Vue arrière de la série 6

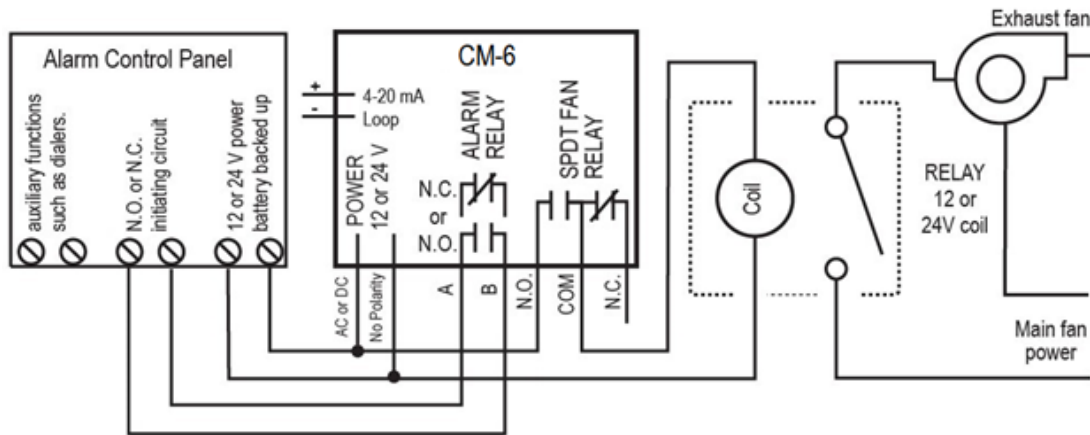


Figure 3-3 Diagramme du panneau de contrôle d'alarme de la série 6

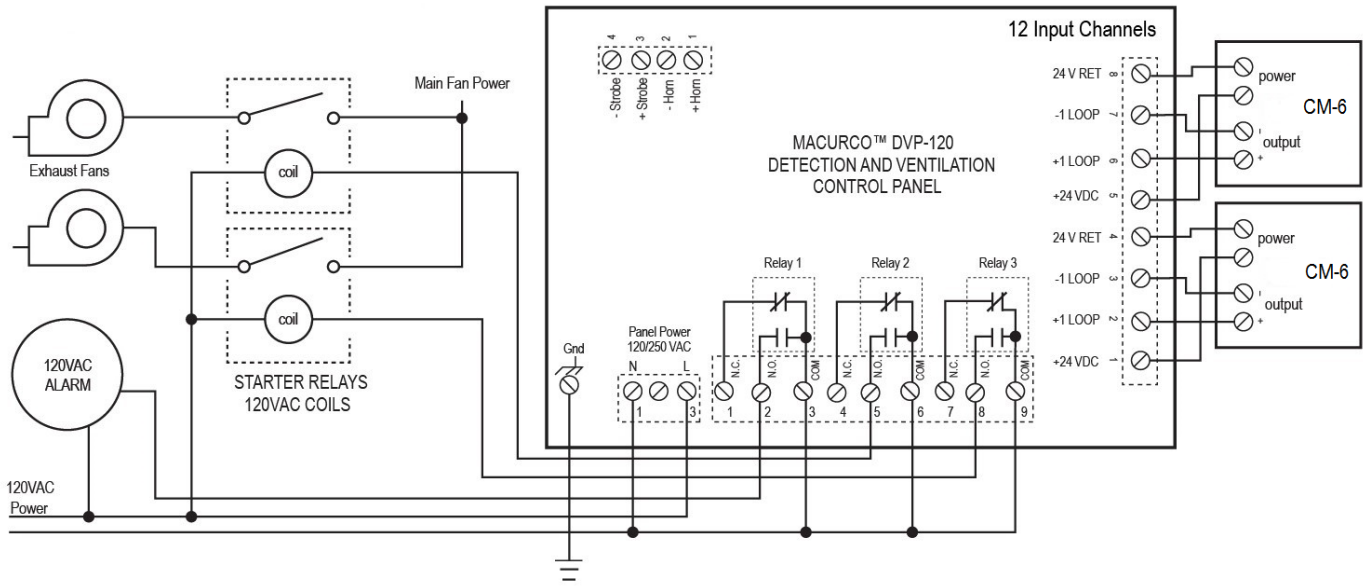


Figure 3-4 Diagramme du panneau de contrôle DVP-120 de la série 6

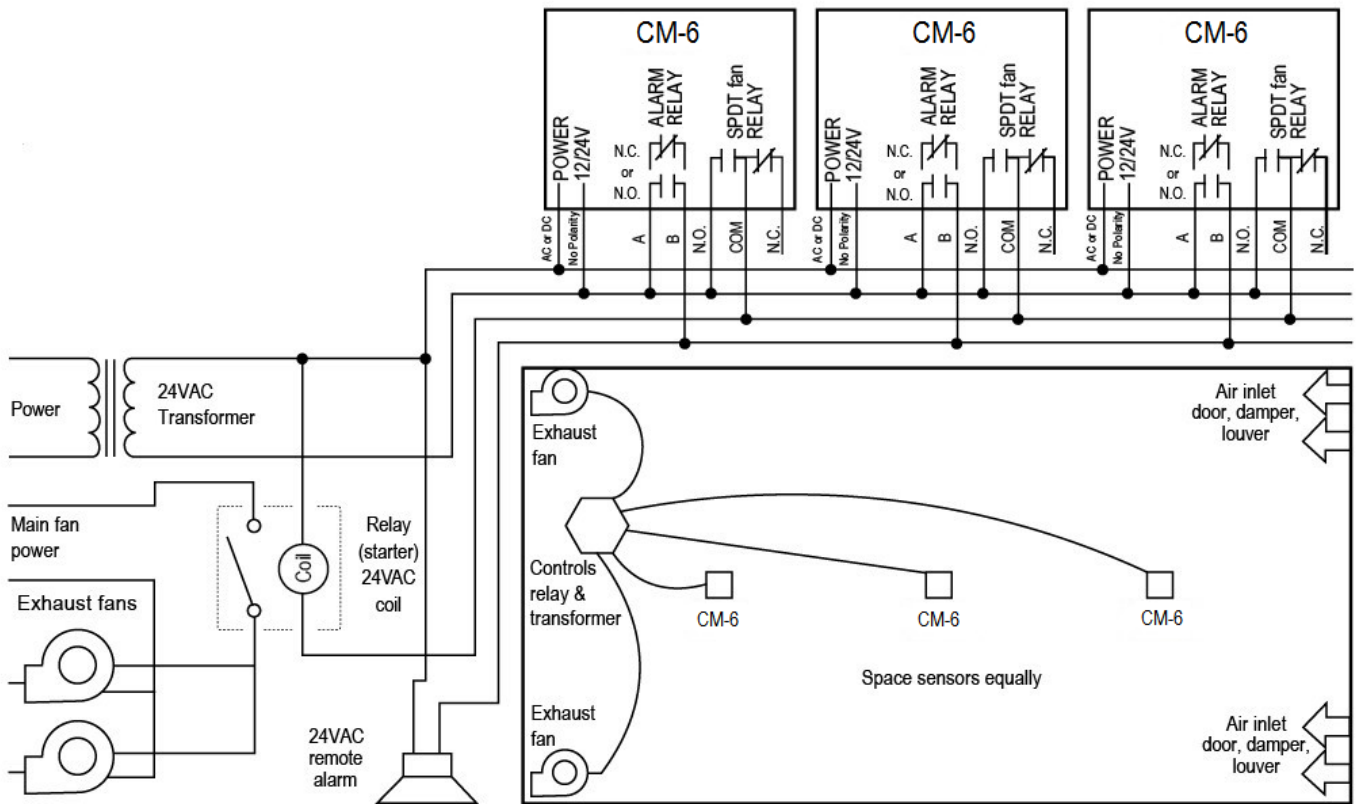


Figure 3-5 Appareil multiple série 6 diagramme

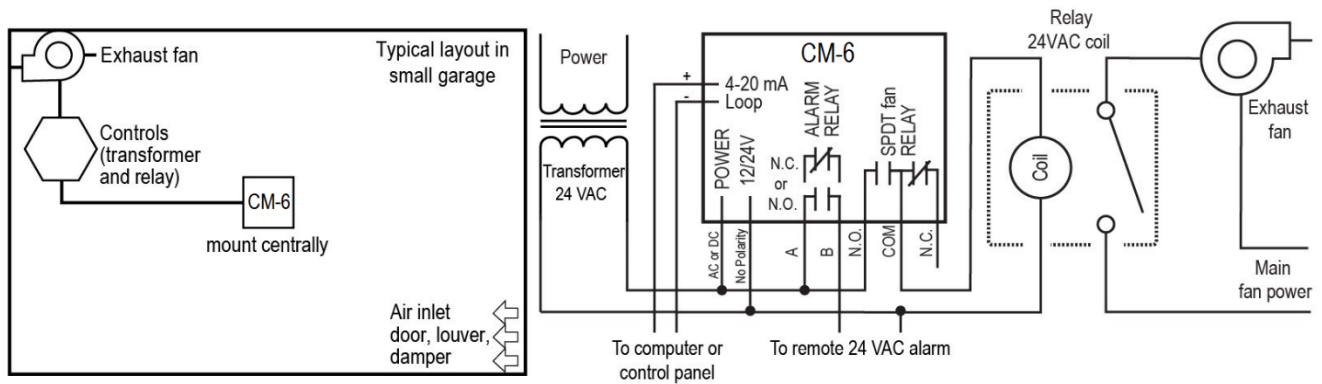


Figure 3-6 Diagramme autonome de la série 6

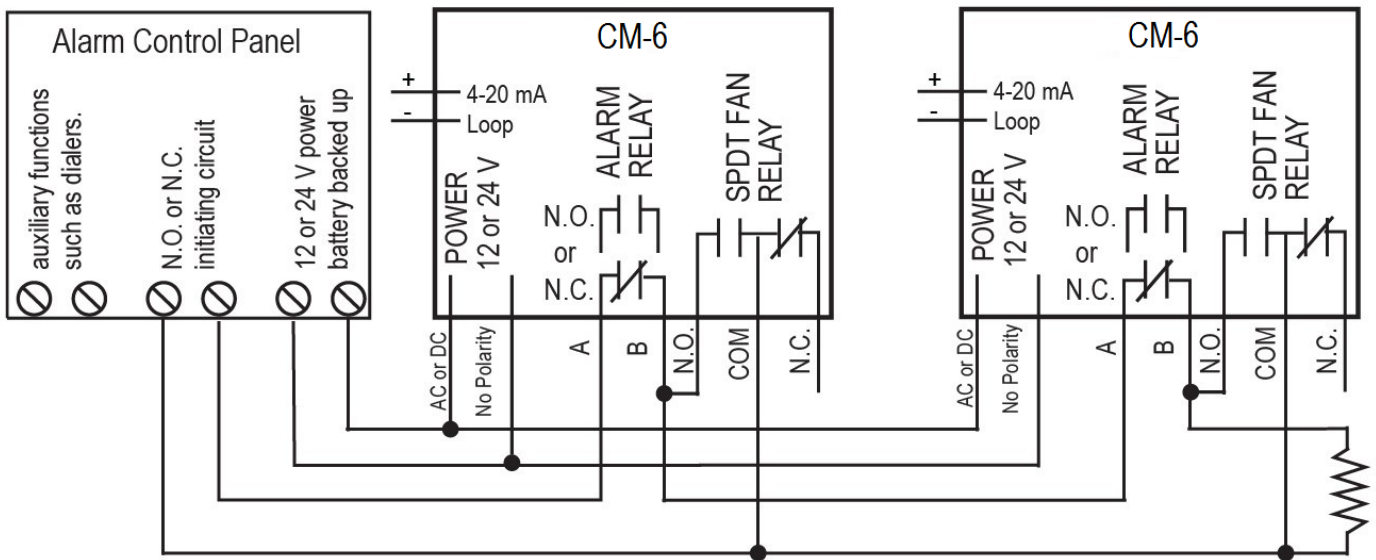


Figure 3-7 Panneau d'alarme alternatif de la série 6

Dans cette application (ci-dessus), le ventilateur ou le relais primaire est utilisé comme relais d'alarme de bas niveau. L'alarme ou le relais secondaire est utilisé comme relais de supervision lorsqu'il est utilisé dans la configuration normalement fermée. Le CM-6 surveille toutes les fonctions critiques de l'appareil grâce à des diagnostics logiciels qui testent et vérifient continuellement ses opérations. Si un problème est constaté, l'appareil passera en mode de sécurité ou d'erreur ou en état de

panne. Dans ce mode d'erreur, les relais Ventilateur* et Alarme seront activés indiquant l'état de problème au panneau et l'affichage CM-6 clignotera l'erreur. *Voir la section [4.5.11 Réglages du ventilateur de dérangement - « tFS » pour](#) l'options.

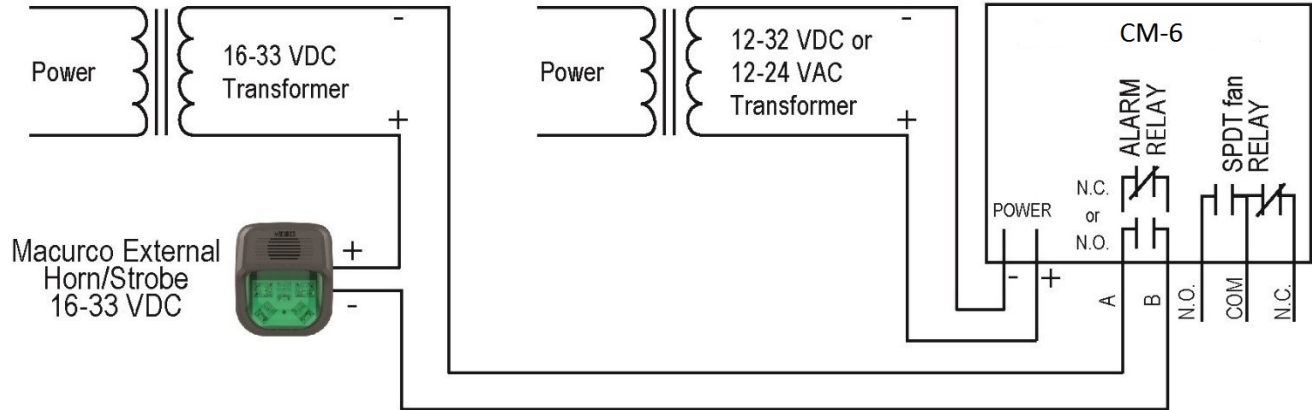


Figure 3-8 Câblage combiné corne et stroboscopique de la série 6

Le numéro de modèle externe de klaxon/stroboscope de Macurco est 78-2900-0211-X, où X représente la couleur d'objectif, R pour la couverture rouge d'objectif, G pour la couverture verte d'objectif, B pour la couverture bleue d'objectif, O pour la couverture ambrée d'objectif, C pour la couverture claire d'objectif. La pression acoustique pour le modèle Horn/Strobe est d'au moins 85dB à 10 pieds.

NOTA : L'installation finale du système CM-xx, y compris le câblage secondaire du contrôleur aux capteurs, doit être conforme aux exigences de la « classe 1 » dans les pistes ou conduits approuvés.

3.2.2 Tension de ligne de la série 12

1. Le CM-12 se monte sur une boîte électrique carrée de 4 po (ou 4 x 4 po) fournie par l'entrepreneur. Ne montez pas le CM-12 à l'intérieur d'une autre boîte, à moins qu'il n'ait une bonne circulation d'air à travers elle.
2. Il y a deux bornes pour les contacts secs de relais d'alarme, encore une fois sans la préférence de polarité. Le relais d'alarme peut passer jusqu'à 0,5 A 120 V ou 60 VA. Le relais d'alarme est activé si le gaz atteint ou dépasse les paramètres d'alarme. Voir la section [4.5 Paramètres par défaut – Usine de ce manuel](#) d'utilisation pour plus de détails sur les paramètres du relais.
3. Le relais d'alarme peut être configuré pour s'ouvrir normalement (par défaut) (N.O.) ou normalement fermé (N.C.) et s'activera si la concentration de gaz dépasse le point de réglage de l'alarme. Il se désactivera une fois que la concentration de gaz descend sous le point de mise en alarme. Notez que le réglage de désactivation fera en sorte que le relais d'alarme ne s'enclenchera pas du tout.
4. Le contact sec, relais de ventilateur de SPDT a trois bornes. Le contact commun (COM.), normalement ouvert (N.O.) et normalement fermé (N.C.). Le relais du ventilateur peut passer jusqu'à 5,0 A jusqu'à 240 VCA. Voir la section [4.5 Paramètres par défaut – Usine de ce manuel](#) d'utilisation pour plus de détails sur les paramètres du relais.
5. Le relais du ventilateur peut être configuré pour le verrouillage ou le non-verrouillage (par défaut) lorsqu'il est activé (lorsque la concentration de gaz dépasse le point de réglage du relais du ventilateur). Une fois verrouillé, l'alimentation devra être interrompue ou le bouton « TEST » appuyé pour débrancher l'état du relais.

6. Le relais du ventilateur s'enclenche si la concentration de monoxyde de carbone du ventilateur est dépassée pendant plus longtemps que le temps de retard du relais du ventilateur. À moins qu'il ne soit configuré pour le verrouillage, le relais du ventilateur se désengagera une fois que les deux conditions auront été remplies :

- La concentration de monoxyde de carbone est tombée sous le réglage du ventilateur
- Le temps d'exécution du relais du ventilateur a été dépassé

Notez que le réglage de désactivation du ventilateur fera en sorte que le relais du ventilateur ne s'enclenchera pas. Le relais du ventilateur s'enclenchera en état de panne (si l'option de réglage du ventilateur de dérangement est réglée sur « ON ») et se désengagera une fois que l'état de défaut de panne sera effacé.

7. La boucle actuelle est de 4 mA dans l'air pur et de 4-20 mA pour 0-200ppm CO.

NOTE: 22 à 12 fils AWG doivent être utilisés. Le fil utilisé doit respecter la plage de température du détecteur, c'est-à-dire de 0°F à 125°F (-18°C à 52°C).

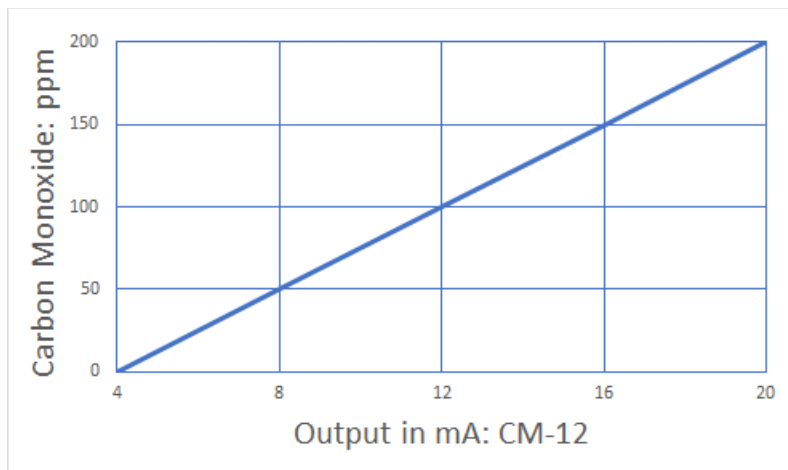


Figure 3-9 Diagramme de sortie de 4-20 mA série 12

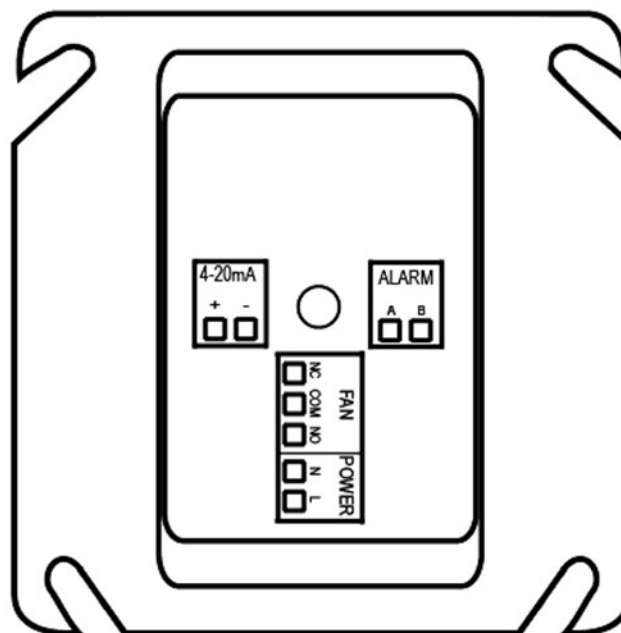


Figure 3-10 Vue arrière de la série 12

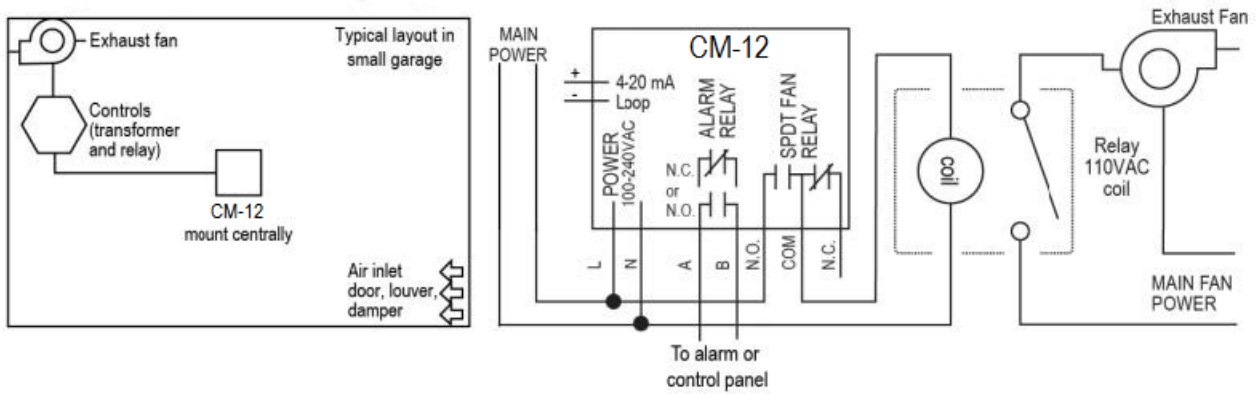


Figure 3-11 Diagramme autonome de la série 12

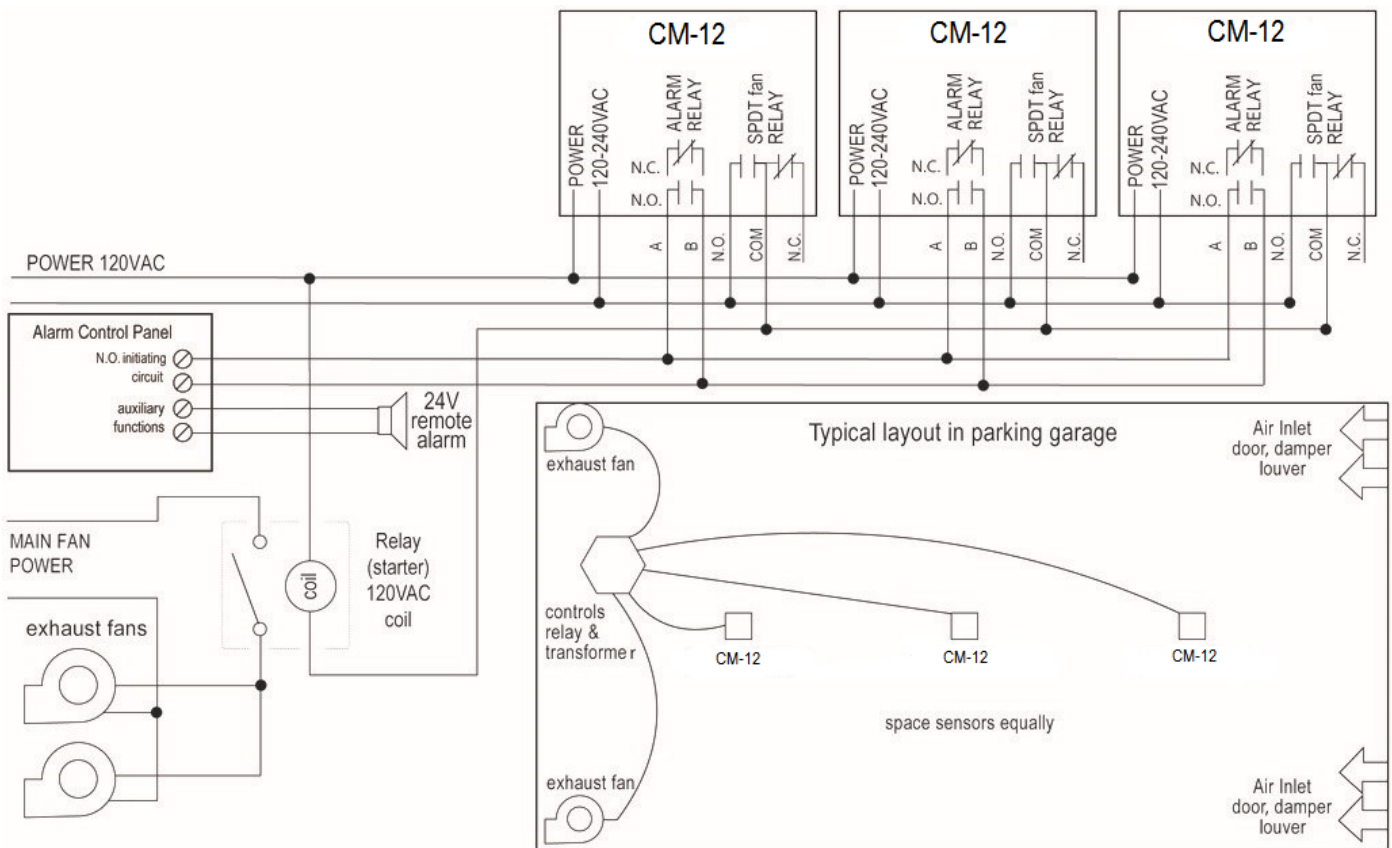


Figure 3-12 Diagramme de plusieurs appareils de la série 12

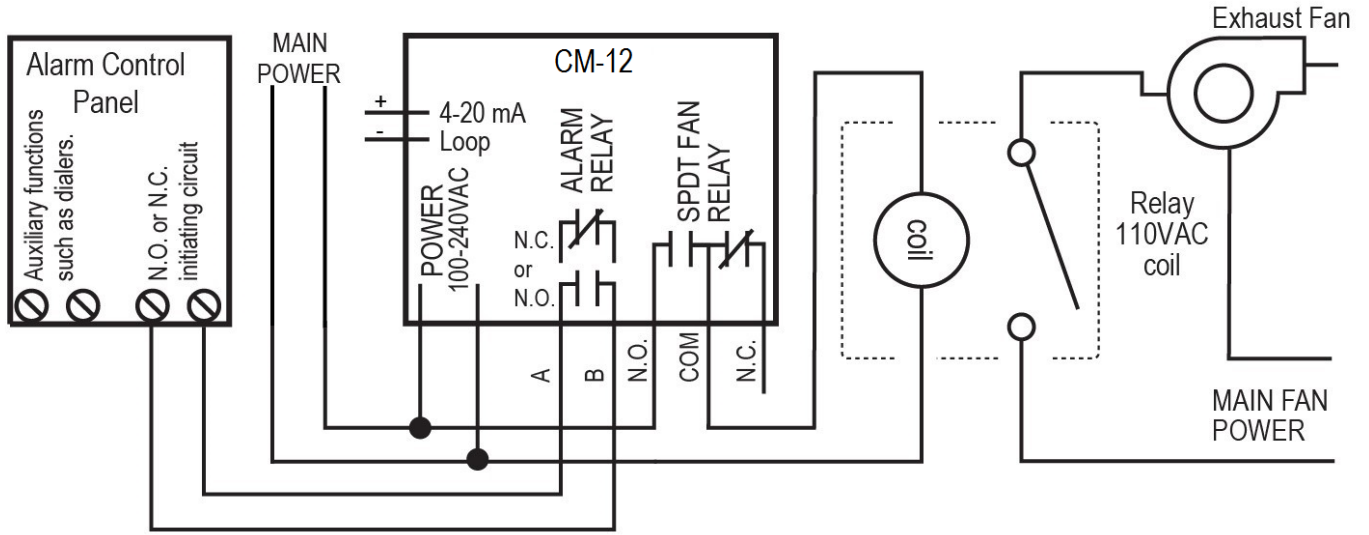


Figure 3-13 Diagramme du panneau de contrôle d'alarme de la série 12

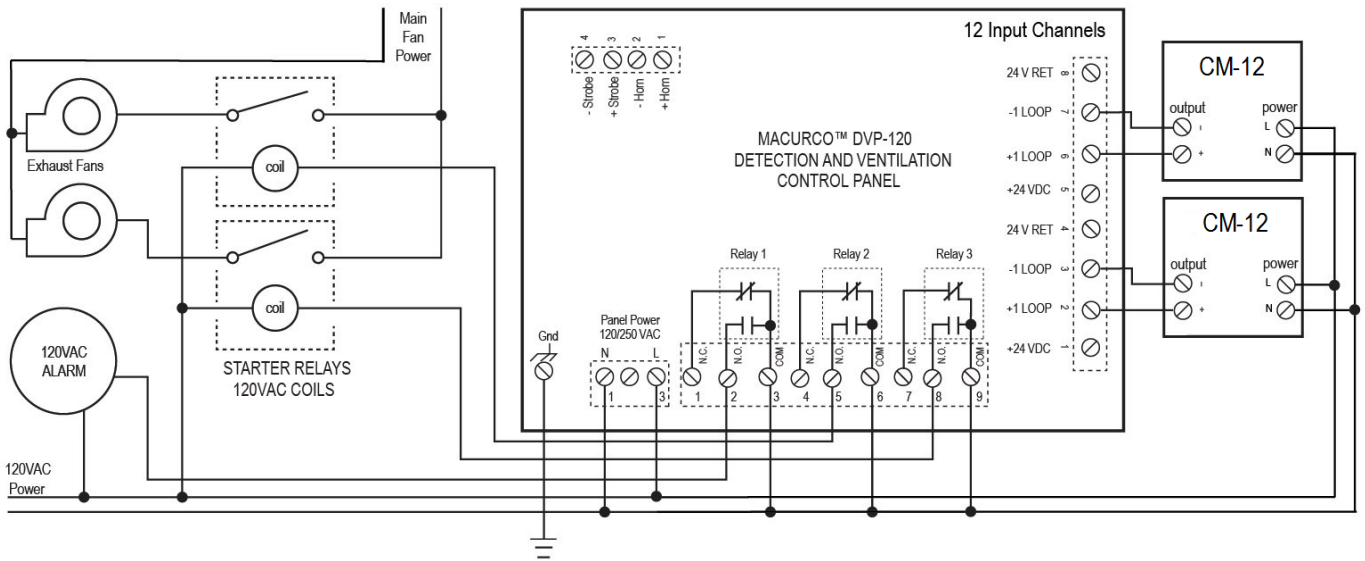


Figure 3-14 Diagramme du panneau de contrôle DVP-120 de la série 12

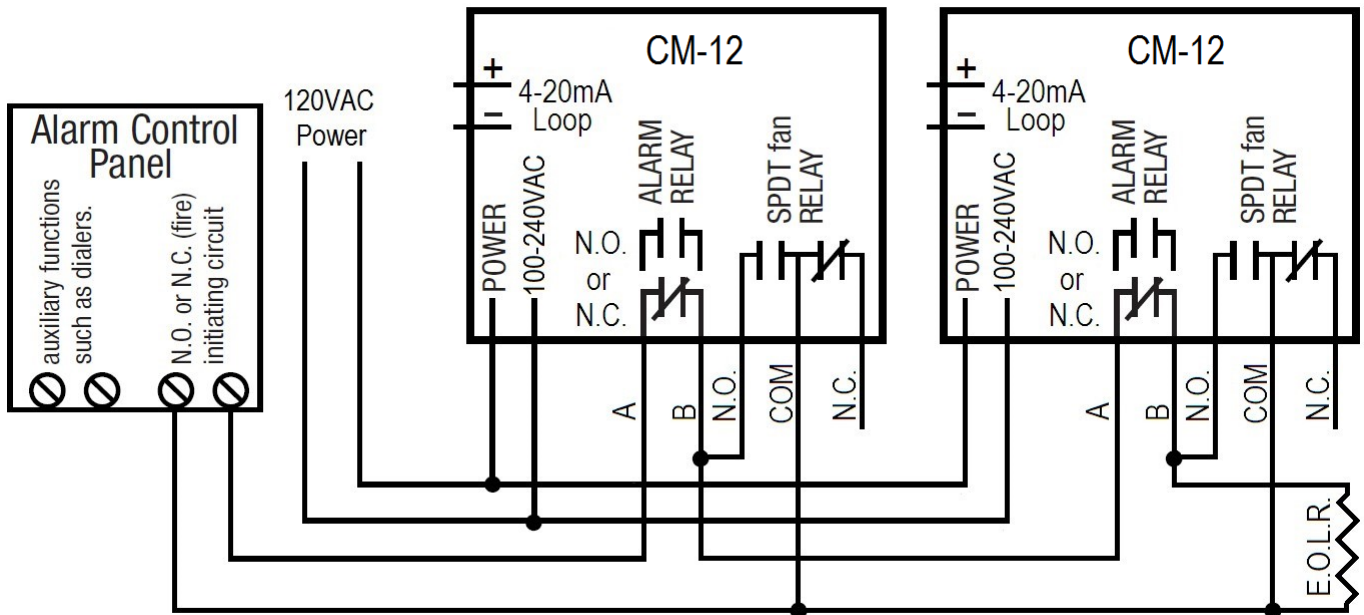


Figure 3-15 Panneau d'alarme alternatif de la série 12

Dans cette application (ci-dessus), le ventilateur ou le relais primaire est utilisé comme relais d'alarme de bas niveau. L'alarme ou le relais secondaire est utilisé comme relais de supervision lorsqu'il est utilisé dans la configuration normalement fermée. Le CM-12 surveille toutes les fonctions critiques de l'appareil grâce à des diagnostics logiciels qui testent et vérifient continuellement ses opérations. Si un problème est constaté, l'appareil passera en mode de sécurité ou d'erreur ou en état de panne. Dans ce mode d'erreur, les relais Ventilateur* et Alarme seront activés indiquant l'état de problème au panneau et l'affichage CM-12 clignotera l'erreur. Voir la section [4.5.11 Réglage du ventilateur de dérangement - « tFS » pour](#) l'options.

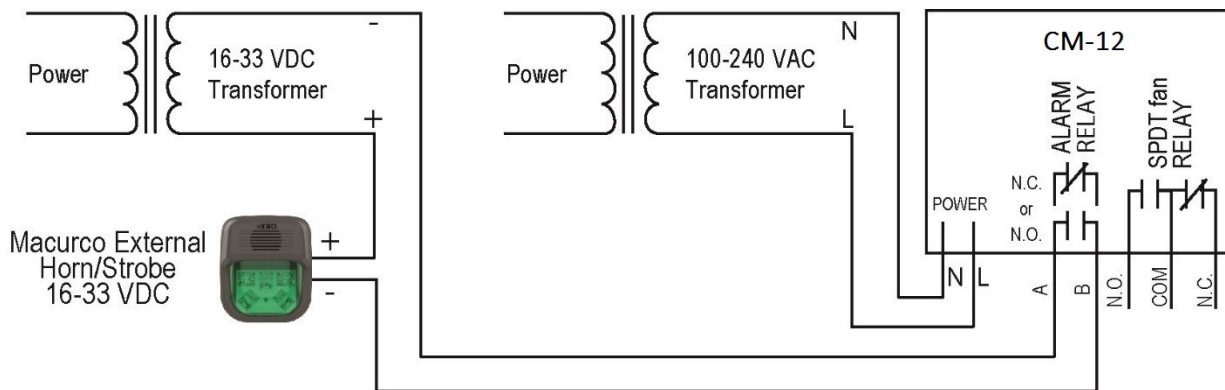


Figure 3-16 Câblage combiné corne et stroboscopique de la série 12

Le numéro de modèle externe de klaxon/stroboscope de Macurco est 78-2900-0211-X, où X représente la couleur d'objectif, R pour la couverture rouge d'objectif, G pour la couverture verte d'objectif, B pour la couverture bleue d'objectif, O pour la couverture ambrée d'objectif, C pour la couverture claire d'objectif. La pression acoustique pour le modèle Horn/Strobe est d'au moins 85dB à 10 pieds.

NOTA : L'installation finale du système CM-xx, y compris le câblage secondaire du contrôleur aux capteurs, doit être conforme aux exigences de la « classe 1 » dans les pistes ou conduits approuvés.

3.3 Connexion terminale

3.3.1 Basse tension de la série 6

À l'exception de la terre de sécurité, tout le câblage sur le terrain est complété par des connecteurs modulaires (fournis). Après le câblage, il suffit de brancher les connecteurs modulaires dans les connecteurs correspondants à l'arrière du détecteur.

NOTE: 22 à 12 fils AWG doivent être utilisés. Le fil utilisé doit respecter la plage de température du détecteur, c'est-à-dire de 0°F à 125°F (-18°C à 52°C).

3.3.1.1 Connexion d'alimentation secteur

Brancher le CM-6 à l'alimentation de classe 2 seulement. Il est suggéré d'utiliser un transformateur distinct pour alimenter l'unité ou les unités en raison d'interférences possibles provenant d'autres appareils sur la même alimentation. Branchez le CM-6 aux câbles de commande à l'aide de fiches de bornes. Lorsque vous faites des connexions, assurez-vous que l'alimentation est coupée. Il y a deux bornes pour power: 12 à 24 VAC ou 12 à 32 VDC, sans préférence de polarité

Assurez-vous que le fil ne peut pas être facilement tiré du connecteur. Branchez la connexion modulaire dans la connexion ventilateur/alimentation et assurez-vous qu'elle se verrouille correctement dans l'en-tête.

3.3.1.2 Connexion au relais du ventilateur

Toutes les bornes de relais du ventilateur SPDT sont disponibles sur le connecteur modulaire Ventilateur/Alimentation. Chaque borne de relais de ventilateur normalement ouverte, commune et normalement fermée (NO, COM et NC) peut accueillir un fil de taille 12 à 2 AWG. Pour installer le câblage des relais, débranchez le connecteur de l'en-tête. Dénuder l'isolant de chaque fil d'environ 6,5 mm (1/4 po), insérer le fil nu dans la borne et serrer la pince à vis. Assurez-vous que le fil ne peut pas être facilement tiré du connecteur. Branchez la connexion modulaire dans la connexion ventilateur/alimentation et assurez-vous qu'elle se verrouille correctement dans l'en-tête.

3.3.1.3 Connexion de relais d'alarme

Les connexions d'alarme externes (A et B) sont disponibles sur le connecteur modulaire Alarm. Il n'y a pas de polarité pour ces connexions. Pour installer le câblage des contacts d'alarme, débranchez le connecteur de l'en-tête du détecteur. Dénuder l'isolant de chaque fil d'environ 6,5 mm (1/4 po), insérer le fil nu dans la borne et serrer la pince à vis. Assurez-vous que le fil ne peut pas être facilement tiré du connecteur. Lorsque les fils sont connectés, le connecteur modulaire dans l'en-tête garantit que le loquet

3.3.1.4 Connexion de signal de 4 à 20 mA

Les connexions de signal positives et négatives de 4-20mA (+ et -) sont disponibles au connecteur modulaire 4-20mA, un connecteur à 2 positions. Pour installer le câblage des contacts de 4 à 20 mA, débranchez le connecteur de l'en-tête du détecteur. Dénuder l'isolant de chaque fil d'environ 6,5 mm (1/4 po), insérer le fil nu dans la borne et serrer la pince à vis. Assurez-vous que le fil ne peut pas être facilement tiré du connecteur. Lorsque les fils sont connectés, le connecteur modulaire dans l'en-tête garantit que le loquet

3.3.2 Tension de ligne de la série 12

À l'exception de la terre de sécurité, tout le câblage sur le terrain est complété par des connecteurs modulaires (fournis). Après le câblage, il suffit de brancher les connecteurs modulaires dans les connecteurs correspondants à l'arrière du détecteur.

NOTE: 22 à 12 fils AWG doivent être utilisés. Le fil utilisé doit respecter la plage de température du détecteur, c'est-à-dire de 0°F à 125°F (-18°C à 52°C).

3.3.2.1 Connexion d'alimentation secteur

Les branchements doivent être effectués conformément aux codes électriques nationaux et locaux. Seul le personnel qualifié doit brancher l'alimentation secteur à n'importe quel appareil. Macurco recommande une taille de fil minimale d'AWG18 et l'isolant de fil doit être évalué pour un service de 140 °F (60 °C). Le connecteur modulaire acceptera le fil de 12 à 22 AWG.

Le fil de mise à la terre de sécurité doit être fixé à la vis de mise à la terre de la boîte électrique métallique. Serrez la vis et assurez-vous que le fil est bien serré. Assurez-vous que le fil ne peut pas être retiré de sous la vis.

Les fils Line (L) et Neutral (N) doivent être dépouillés de 1/4 po (6,5 mm), insérer le fil dans les positions de fil « L » et « N » du connecteur modulaire ventilateur/alimentation et serrer la pince à vis. Assurez-vous que le fil ne peut pas être facilement tiré du connecteur. Branchez la connexion modulaire dans la connexion ventilateur/alimentation et assurez-vous qu'elle se verrouille correctement dans l'en-tête.

3.3.2.2 Connexion au relais du ventilateur

Toutes les bornes de relais du ventilateur SPDT sont disponibles sur le connecteur modulaire Ventilateur/Alimentation. Chaque borne de relais de ventilateur normalement ouverte, commune et normalement fermée (NO, COM et NC) peut accueillir un fil de taille 12 à 22 AWG. Pour installer le câblage des relais, débranchez le connecteur de l'en-tête. Dénuder l'isolant de chaque fil d'environ 6,5 mm (1/4 po), insérer le fil nu dans la borne et serrer la pince à vis. Assurez-vous que le fil ne peut pas être facilement tiré du connecteur. Branchez la connexion modulaire dans la connexion ventilateur/alimentation et assurez-vous qu'elle se verrouille correctement dans l'en-tête.

3.3.2.3 Connexion de relais d'alarme

Les connexions d'alarme externes (A et B) sont disponibles sur le connecteur modulaire Alarm. Il n'y a pas de polarité pour ces connexions. Pour installer le câblage des contacts d'alarme, débranchez le connecteur de l'en-tête du détecteur. Dénuder l'isolant de chaque fil d'environ 6,5 mm (1/4 po), insérer le fil nu dans la borne et serrer la pince à vis. Assurez-vous que le fil ne peut pas être facilement tiré du connecteur. Lorsque les fils sont connectés, le connecteur modulaire dans l'en-tête garantit que le loquet

3.3.2.4 Connexion de signal de 4 à 20 mA

Les connexions de signal positives et négatives de 4-20mA (+ et -) sont disponibles au connecteur modulaire 4-20mA, un connecteur à 2 positions. Pour installer le câblage des contacts de 4 à 20 mA, débranchez le connecteur de l'en-tête du détecteur. Dénuder l'isolant de chaque fil d'environ 6,5 mm (1/4 po), insérer le fil nu dans la borne et serrer la pince à vis. Assurez-vous que le fil ne peut pas être facilement tiré du connecteur. Lorsque les fils sont connectés, le connecteur modulaire dans l'en-tête garantit que le loquet

4 Opérations et opérations

4.1 Mise sous tension

Le CM-xx passe par un cycle d'autotest interne pendant la première minute où il est alimenté. L'appareil exécutera le cycle d'essai chaque fois que l'alimentation est tombée et réappliquée (c.-à-d. panne de courant). Pendant le cycle d'auto-test, l'appareil affichera le numéro de version du microprogramme, puis compte à rebours de 60 à 0 (si le réglage d'affichage est « Allumé ») et sera finalement mis en service normal. Le relais d'alarme sera activé pendant 10 secondes et le relais du ventilateur pendant 60 secondes pendant le cycle de mise sous tension, sauf si l'option « Power Up Test » (PUT) est désactivée. Le témoin lumineux (DEL) clignotera en vert pendant le cycle d'auto-test. Si le réglage 4-20mA est réglé sur « EnH », CM-xx transmettra des informations relatives à l'état de la période d'étalonnage via une sortie de 4-20mA pendant le cycle de mise sous tension. À la fin du cycle d'une minute, l'appareil préleva son premier échantillon d'air et le témoin lumineux deviendra vert.

4.2 Affichage activé

Air pur – Lorsque la fonction d'affichage est activée, le CM-xx indique la concentration actuelle de CO ppm ou de 0 (zéro) dans l'air pur.

Niveau du ventilateur – Lorsque la concentration de CO atteint le réglage du relais du ventilateur (35 ppm, par exemple), l'affichage clignote d'avant en arrière entre « FAn » et « 35 » ou la concentration actuelle de gaz.

Niveau d'alarme – Lorsque la fonction d'affichage est activée et que la concentration de CO atteint le réglage du relais d'alarme (200 ppm, par exemple), l'affichage clignotera d'avant en arrière entre « ALr » et « 200 » ou la concentration actuelle de gaz. L'avertisseur sonore sonnera en indiquant « Alarme » si l'avertisseur sonore est allumé.

Problème – Lorsque la fonction d'affichage est activée et que l'appareil est en état de problème, l'affichage affiche le code d'erreur t (t01, par exemple). Si le réglage du ventilateur de dérangement est activé, le relais du ventilateur s'allume en activant le relais. Voir section [4.5.11 Réglage du ventilateur de dérangement - « tFS »](#) et section [5.1.2 « t » Codes d'erreur](#) et

Étalonnage en raison- Lorsque la fonctionnalité période d'étalonnage est activée, si un détecteur se trouve dans un délai d'un mois à partir de la période d'étalonnage, l'affichage clignotera d'avant en arrière entre la lecture du gaz dUE et la lecture actuelle du gaz. Calibration Due n'est résolu qu'avec un étalonnage réussi sur le terrain.

4.3 Affichage désactivé

Air pur – Lorsque la fonction d'affichage est désactivée, l'affichage n'indique pas la concentration de CO. Seul le témoin lumineux d'alimentation allumé s'allume.

Niveau du ventilateur – Lorsque la concentration de CO atteint le réglage du relais du ventilateur (35 ppm, par exemple), l'affichage indique « FAn » en continu tant que le relais du ventilateur est activé. Cela apparaît comme clignotant lentement « FAn ».

Niveau d'alarme – Lorsque la fonction d'affichage est désactivée, l'affichage n'indique pas la concentration de CO, mais indique « ALr » lorsque le relais d'alarme est activé.

Problème – Lorsque la fonction d'affichage est désactivée et que l'appareil est en état de problème, l'affichage affiche le code d'erreur t (t01, par exemple). Si le réglage du ventilateur de dérangement est activé, le relais du ventilateur s'allume en activant le relais. Voir la section [4.5.11 Réglage du ventilateur de dérangement – « tFS »](#) et la section [5.1.2 « t » Codes d'erreur](#).

Étalonnage en raison- Lorsque la fonctionnalité période d'étalonnage est activée, si un détecteur se trouve dans un délai d'un mois à partir de la période d'étalonnage, l'affichage indique continuellement « dUE ». Calibration Due n'est résolu qu'avec un étalonnage réussi sur le terrain.

4.4 Boucle de 4-20 mA

Les paramètres de 4 à 20 mA sélectionnés pour 'bAS' ou 'EnH' sont considérés comme étant la fonction 4-20mA activée.

Air pur – Lorsque la fonction 4-20 mA est activée et que la concentration actuelle de CO ppm est de 0 (zéro), la boucle de 4 à 20 mA produit 4 mA.

Lecture du gaz – Lorsque la fonction 4-20 mA est activée, la sortie se lit entre 4 mA et 20 mA en fonction de la concentration actuelle de CO.

Problème – Lorsque la fonction 4-20 mA est activée et que le réglage du ventilateur de dérangement est activé. La boucle de 4-20mA sortie 1 mA ou 24 mA selon l'état de problème. Voir la [section 5.1 Diagnostics à bord](#).

4.5 Par défaut - Paramètres d'usine

Le CM-xx est pré-programmé avec les paramètres par défaut suivants:

Mise en place:	Valeur par défaut:
Test de mise sous tension	Le
Affichage de l'écran	Le
Avertisseur sonore	Le
Réglage du relais d'alarme	200 ppm (ppm)
Configuration du relais d'alarme	Normalement ouvert (NO)
Réglage du relais du ventilateur	35 ppm (35 ppm)
Retard de relais de ventilateur	3 minutes (en)
Temps d'exécution minimum de relais de ventilateur	0 minutes (en)
Verrouillage du relais du ventilateur	Arrêt de la
Réglage du ventilateur de dérangement	Arrêt de la
4 à 20 mA	bAS (de base)
Étalonnage dû	dIS (désactivé)

Pour modifier les réglages, retirez la vis Philips à l'avant du CM-6. Retirez le couvercle avant de l'appareil.

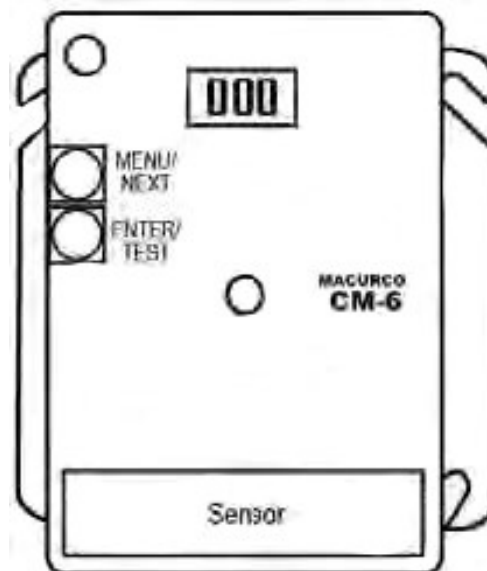


Figure 4-1 Vue du conseil d'administration

Pour réinitialiser l'appareil aux paramètres d'usine, consultez la section 4.5.1 Sélection de la configuration par défaut

4.5.1 Sélection de la configuration par défaut - « dEF »

Pour sélectionner la configuration par défaut, en mode normal, appuyez **sur le** bouton Suivant pour vous rendre à Con ou au menu Configuration. Appuyez ensuite sur **le** bouton Entrée pour entrer dans le menu Con. La première sélection est le paramètre dEF ou Default. Appuyez **sur Entrée**. S'il est déjà en configuration par défaut, il n'y aura pas d'action. S'il n'est pas déjà en configuration par défaut, nO s'affiche. Appuyez ensuite pour le changer en « OUI » (clignotant), puis appuyez sur **Entrée** pour confirmer le changement (solide) et appuyez **de nouveau** sur Entrée pour revenir à « dEF » dans le menu con. Appuyez **sur Suivant** jusqu'à ce que la fin soit affichée, puis **appuyez** sur Entrée pour revenir au fonctionnement normal.

Remarque: Ce menu ne peut pas être modifié lorsque cm-XX est en étalonnage en raison ou le calibrage en retard. (Voir la section [4.5.13 Réglages de la période d'étalonnage – CAL pour obtenir des](#) renseignements sur l'étalonnage dû et l'étalonnage en retard.)

4.5.2 Réglage du test de mise sous tension - « PUt »

Pour sélectionner la configuration du test de mise sous tension, en mode normal, appuyez **sur le** bouton Suivant pour vous rendre à Con ou au menu Configuration. Appuyez ensuite sur **le** bouton Entrée pour entrer dans le menu Con. Appuyez ensuite sur **le** bouton Suivant pour obtenir le deuxième réglage de sélection « PUt » ou Power Up Test. Appuyez **sur Entrée**. Si le testis « On » pousse Ensuite **pour** l'éteindre (clignotement), puis appuyez sur Entrée **pour** confirmer le changement (solide) et appuyez de nouveau sur **Entrée** pour revenir à « PUt » dans le menu Con. Appuyez **sur Suivant** jusqu'à ce que la fin soit affichée, puis **appuyez** sur Entrée pour revenir au fonctionnement normal.

4.5.3 Paramètre d'affichage - « dSP »

Pour sélectionner la configuration de l'affichage, en mode normal, **appuyez sur** le bouton Suivant pour vous rendre à Con ou au menu Configuration. Appuyez ensuite sur **le** bouton Entrée pour entrer dans le menu Con. Appuyez ensuite sur **le** bouton Suivant pour vous rendre à la troisième sélection « dSP » ou au paramètre d'affichage. Appuyez **sur Entrée**. Si l'affichage est « On », appuyez sur **Suivant** pour l'éteindre (clignoter), puis appuyez sur **Entrée** pour confirmer le changement (solide) et appuyez **de nouveau** sur Entrée pour revenir à « dSP » dans le menu Con. Appuyez **sur Suivant** jusqu'à ce que la fin soit affichée, puis **appuyez** sur Entrée pour revenir au fonctionnement normal.

4.5.4 Réglage de l'avertisseur sonore - bUZ

Pour sélectionner la configuration de l'avertisseur sonore, en mode normal, appuyez **sur** le bouton Suivant pour vous rendre à Con ou au menu Configuration. Appuyez ensuite sur **le** bouton Entrée pour entrer dans le menu Con. La quatrième sélection est le réglage bUZ ou Buzzer. Appuyez **deux** fois sur Suivant pour arriver à « bUZ », puis entrez . Si l'affichage est « On », appuyez sur **Suivant** pour l'éteindre (clignoter), puis appuyez sur **Entrée** pour confirmer le changement (solide) et appuyez **de nouveau** sur Entrée pour revenir à « bUZ » dans le menu Con. Appuyez **sur Suivant** jusqu'à ce que la fin soit affichée, puis **appuyez** sur Entrée pour revenir au fonctionnement normal.

4.5.5 Réglage du relais d'alarme - « ArS »

Pour sélectionner le réglage du relais d'alarme, en mode normal, appuyez **sur** le bouton Suivant pour vous rendre à Con ou au menu Configuration. Appuyez ensuite sur **le** bouton Entrée pour entrer dans le menu Con. La cinquième sélection est le réglage ars ou relais d'alarme. Appuyez **trois** fois ensuite pour vous rendre à « ArS », puis entrez . Si l'affichage est « dIS » (désactivé), appuyez sur **Suivant** pour le changer à 50, 100, 150 ou 200 ppm (clignotant), puis appuyez sur **Entrée** pour confirmer le changement (solide) et appuyez **de nouveau** sur Entrée pour revenir à « ArS » dans le menu Con. Appuyez **sur Suivant** jusqu'à ce que la fin soit affichée, puis **appuyez** sur Entrée pour revenir au fonctionnement normal.

4.5.6 Configuration du relais d'alarme - Arc

Pour sélectionner la configuration du relais d'alarme, en mode normal, appuyez **sur** le bouton Suivant pour vous rendre à Con ou au menu Configuration. Appuyez ensuite sur **le** bouton Entrée pour entrer dans le menu Con. La sixième sélection est la configuration de relais d'arc ou d'alarme. Appuyez **quatre** fois sur Suivant pour vous rendre à Arc, puis **entrez**. Si le relais est « nO » (normalement ouvert), appuyez sur **Suivant pour** le tourner à « nC » (clignotant), puis appuyez sur **Entrée** pour

confirmer le changement (solide) et appuyez de nouveau sur Entrée pour revenir à « Arc » dans le menu Con. Appuyez **sur Suivant** jusqu'à ce que la fin soit affichée, puis **appuyez** sur Entrée pour revenir au fonctionnement normal.

4.5.7 Réglage du relais du ventilateur - FrS

Pour sélectionner le réglage du relais de ventilateur, en mode normal, appuyez **sur le bouton Suivant** pour vous rendre à Con ou au menu Configuration. Appuyez ensuite sur **le bouton Entrée** pour entrer dans le menu Con. La septième sélection est le réglage « FrS » ou Relais de ventilateur. Appuyez **cinq** fois ensuite pour vous rendre à FrS, puis **entrez**. Si le relais du ventilateur est « dIS » (désactivé), appuyez sur **Suivant** pour le changer à 15, 25, 35, 50 ou 100 ppm (clignotant), puis appuyez sur **Entrée** pour confirmer le changement (solide) et appuyez de nouveau sur Entrée pour revenir à « FrS » dans le menu Con. Appuyez **sur Suivant** jusqu'à ce que la fin soit affichée, puis **appuyez** sur Entrée pour revenir au fonctionnement normal.

4.5.8 Réglage du retard du relais du ventilateur - Frd

Pour sélectionner le paramètre Retard du relais du ventilateur, en mode normal, appuyez **sur le bouton Suivant** pour vous rendre à Con ou au menu Configuration. Appuyez ensuite sur **le bouton Entrée** pour entrer dans le menu Con. La huitième sélection est le « Frd » ou le Retard du Relais du Ventilateur. Appuyez **six** fois ensuite pour vous rendre à Frd, puis **entrez**. Si le délai est « 0 » (désactivé), appuyez sur **Suivant** pour le changer à 1, 3, 5 ou 10 minutes (clignotant), puis appuyez sur **Entrée** pour confirmer le changement (solide) et appuyez de nouveau sur Entrée pour revenir à « Frd » dans le menu Con. Appuyez **sur Suivant** jusqu'à ce que la fin soit affichée, puis appuyez sur Entrée pour revenir au fonctionnement normal.

4.5.9 Réglage minimal de l'exécution du relais du ventilateur - Frr

Pour sélectionner le paramètre d'exécution minimale du relais du ventilateur, en mode normal, **appuyez sur le bouton Suivant** pour vous rendre à Con ou au menu Configuration. Appuyez ensuite sur **le bouton Entrée** pour entrer dans le menu Con. La neuvième sélection est le temps d'exécution minimum du frr ou du ventilateur. Appuyez **sept** fois sur Suivant pour vous rendre à Frr, puis **entrez**. Si l'exécution est « 0 » (désactivé), appuyez sur **Suivant** pour le changer à 3, 5, 10 ou 15 minutes (clignotant), puis appuyez sur **Entrée** pour confirmer le changement (solide) et appuyez **de nouveau** sur Entrée pour revenir à « Frr » dans le menu Con. Appuyez **sur Suivant** jusqu'à ce que la fin soit affichée, puis **appuyez** sur Entrée pour revenir au fonctionnement normal.

4.5.10 Réglage du verrouillage du relais du ventilateur - FrL

Pour sélectionner l'option de verrouillage du relais du ventilateur, en mode normal, appuyez **sur le bouton Suivant** pour vous rendre à Con ou au menu Configuration. Appuyez ensuite sur **le bouton Entrée** pour entrer dans le menu Con. La dixième sélection est l'option de verrouillage du relais frl ou du ventilateur. Appuyez **neuf** fois sur Suivant pour vous rendre à FrL, puis **entrez**. Si le verrouillage est « OFF », appuyez sur **Suivant** pour le mettre en « ON » (clignotant), puis appuyez sur Entrée **pour** confirmer le changement (solide) et appuyez **de nouveau** sur Entrée pour revenir à « FrL » dans le menu Con. Appuyez **sur Suivant** jusqu'à ce que la fin soit affichée, puis **appuyez** sur Entrée pour revenir au fonctionnement normal.

4.5.11 Réglage du ventilateur de dérangement - « tFS »

Pour sélectionner l'option De réglage du ventilateur de dérangement, en mode normal, **appuyez sur le bouton Suivant** pour vous rendre à Con ou au menu Configuration. Appuyez ensuite sur **le bouton Entrée** pour entrer dans le menu Con. La onzième sélection est l'option de réglage du ventilateur tFS ou trouble. Appuyez **sur Dix** fois suivant pour vous rendre à tFS, puis **entrez**. Si le réglage du ventilateur de dérangement est « OFF », **appuyez sur Suivant** pour le mettre en mode « ON » (clignotant), puis appuyez **sur Entrée** pour confirmer le changement (solide) et appuyez de nouveau sur Entrée pour revenir à « tFS » dans le menu Con. Appuyez **sur Suivant** jusqu'à ce que la fin soit affichée, puis **appuyez** sur Entrée pour revenir au fonctionnement normal.

4.5.12 Réglage de sortie 4-20mA - « 420 »

Pour sélectionner l'option de sortie 4-20mA, en mode normal, appuyez **sur le bouton Suivant** pour vous rendre à « Con » ou au menu Configuration. Appuyez ensuite sur **le bouton Entrée** pour entrer dans le menu Con. La douzième sélection est l'option de sortie 420 ou 4-20mA. Appuyez **sur Onze** fois suivants pour arriver à « 420 », puis **entrez** . Si le 4-20mA est "bAS" pousser

Suivant pour le tourner à "EnH" (clignotant) et appuyez une fois de plus pour le tourner à "OFF" (clignotant). Appuyez sur **Entrée** pour confirmer le changement (solide) et appuyez **de** nouveau sur Entrée pour revenir à 420 dans le menu Con. Appuyez **sur Suivant** jusqu'à ce que la fin soit affichée, puis **appuyez** sur Entrée pour revenir au fonctionnement normal.

REMARQUE : CM-XX transmettra des informations sur la période d'étalonnage au panneau de contrôle Macurco (via une sortie de 4 à 20 mA) uniquement lorsque le réglage de sortie de 4 à 20 mA est réglé sur 'EnH'.

4.5.13 Paramètres de la période d'étalonnage - « CAL »

La valeur sélectionnée dans les paramètres de période d'étalonnage est number de mois. Cm-xx indique un « étalonnage dû » lorsqu'il est dans un délai d'un mois après la période d'étalonnage, et « étalonnage en retard » lorsque le détecteur a atteint ou dépassé la période d'étalonnage. Période d'étalonnage Les réglages ne peuvent pas être modifiés si cm-xx indique « calibration due » ou « calibration en retard ».

Pour sélectionner l'option Période d'étalonnage, en mode normal, appuyez **sur** le bouton Suivant pour vous rendre à Con ou au menu Configuration. Appuyez ensuite sur **le** bouton Entrée pour entrer dans le menu Con. La treizième sélection est cal ou période d'étalonnage. Appuyez **sur** Douze fois suivant pour arriver à « CAL », puis appuyez sur **Entrée**. Le paramètre par défaut est dIS. Appuyez ensuite pour le changer à 3, 6, 12 ou 24 (clignotant), puis appuyez sur **Entrée** pour confirmer le changement (solide). Appuyez ensuite **de** nouveau sur Entrée pour revenir à « CAL » dans le menu Con. Appuyez **sur Suivant** jusqu'à ce que la fin soit affichée, puis **appuyez** sur Entrée pour revenir au fonctionnement normal.

5 Dépannage

5.1 Diagnostics à bord

Le CM-xx surveille toutes les fonctions critiques de l'appareil grâce à des diagnostics logiciels qui testent et vérifient continuellement les opérations de l'unité. Si un problème est constaté, l'appareil passera en mode de sécurité ou d'erreur ou en état de panne. Dans ce mode d'erreur, le relais d'alarme sera activé, la boucle de courant de 4-20 mA ira à 24 mA, l'unité affichera le code d'erreur, le voyant d'état vert clignotera, et l'avertisseur sonnera par intermittence. Le relais du ventilateur s'enclenchera également si l'option de réglage du ventilateur de dérangement est réglée sur ON. Il s'agit d'une mesure de sécurité. Pour effacer ce mode, il suffit d'éteindre l'appareil pendant quelques secondes ou d'appuyer sur le commutateur ENTER/TEST (à l'intérieur de l'appareil). L'appareil redémarrera ainsi le cycle d'autotest d'une minute.

5.1.1 Dépannage 4-20mA

- 0 mA est probablement un problème de connexion
- 1 mA indique calibration overdue (si 4-20mA est configuré sur 'EnH')
- 4-20 mA est la gamme normale de lecture de gaz (0-200 ppm)
- 24 mA indique un trouble

5.1.2 codes d'erreur « t »

TXX	
t01 (en)	Erreur fatale du capteur / Capteur manquant
t02 (en)	Défaillance de compensation de température
t04 (en)	EEPROM mauvaise somme de contrôle
t08 (en)	Le capteur est court-circuité
t10 (en)	Mauvais EEPROM

t20 (en)	Mauvais calibrage
t40 (en)	Échec d'étalonnage en usine
t80 (en)	Lire l'échec adc
t100 t100	Sous la gamme
t200 t200	Capteur expiré / Fin de vie
t8000 t8000	Étalonnage en retard

NOTE:

- I. T8000 a la plus haute priorité parmi tous les codes de dérangement, c'est-à-dire si le code d'erreur T8000 existe avec un autre code d'erreur 't', alors la sortie 4-20mA est de 1mA si T8000 existent.
- II. T8000 n'est résolu qu'avec un étalonnage réussi sur le terrain.
- III. S'il existe plusieurs codes d'erreur en même temps, le code affiché sera la somme des codes d'erreur. Par exemple, l'unité affichera t03 si t01 et t02 existent en même temps, t180 si t100 et t80 existent en même temps, etc.

Si la somme d'un chiffre (un, des dizaines ou des centaines) est supérieure à 9, elle affichera la représentation hexadécimale correspondante de la somme. Le tableau suivant montre la représentation hexadécimale pour le nombre de 10 à 15.

Nombre décimal	Représentation hexadécimale affichée sur UNIT
10	A (en)
11	b
12	C (en)
13	D (en)
14	et
15	F (en)

Tableau 5-1Cimal hexade Display

Par exemple, l'unité affichera t0A si t02 et t08 existent en même temps. De même, tC0 si t40 et t80 existent en même temps.

Pour les codes de dérangement sur 2 chiffres, l'affichage alternera 'tXX' et 't.YY' où XX correspond aux deux premiers chiffres et YY (note '.' après 't') correspond aux deux derniers chiffres du code de dérangement. Par exemple, l'affichage alternera entre t01 et t.00 pour t100, t02 et t.00 pour t200 et t80 et t.00 pour t8000.

Si le mode d'erreur se répète fréquemment, vérifiez s'il y a une puissance continue et une tension appropriée. Si l'alimentation n'est pas le problème et qu'un appareil présente des conditions d'erreur répétées, il peut être nécessaire de le retourner à Macurco pour le faire l'entretien, conformément à ces instructions d'utilisation.

Si le mode d'erreur indique que le capteur a expiré, consultez la section Réinitialisation de la durée de vie du capteur de ces instructions d'utilisation

5.2 Poisons de capteur

Le capteur du détecteur est conçu avec une sensibilité extrême à l'environnement. Par conséquent, la fonction de détection peut être détériorée si elle est exposée à des contaminants, à un jet direct d'aérosols tels que des peintures, des vapeurs de silicone, etc., ou à une forte densité de gaz corrosifs (tels que le sulfure d'hydrogène, le dioxyde de soufre) pendant une période prolongée.

5.3 Signal de fin de vie

Le CM-xx a une longue durée de vie, capteur électrochimique non remplaçable. Dix (10) ans après l'installation du CM-xx, le signal de fin de vie du capteur sera activé, indiquant que le CM-xx a atteint la fin de sa durée de vie utile typique. Le signal de fin de vie provoquera l'expiration d'un code d'erreur t200 " Capteur « . Voir la section 5.1.2 Codes d'erreur t.

Le signal de fin de vie peut être réduit au silence pendant 48 heures en appuyant sur le bouton « ENTER/TEST » ou en laissant tomber temporairement l'alimentation de l'appareil. Le signal de fin de vie donne à l'utilisateur la possibilité de tester et/ou de calibrer le capteur en s'assurant qu'il fonctionne toujours dans des paramètres acceptables bien que le capteur approche de la fin de sa durée de vie prévue. La fonction silence continuera d'être disponible pendant 29 jours après que le CM-xx a lancé le signal initial de fin de vie. Après cette période de 29 jours, le CM-xx ne peut plus être réduit au silence, et le capteur doit être calibré, et la durée de vie du capteur réinitialisée, ou le détecteur CM-xx remplacé.

6 Entretien de l'équipement

Le CM-6 est peu d'entretien. L'appareil utilise un capteur électrochimique à longue durée de vie qui a une espérance de vie de 10ans (dans des conditions normales). Les performances du détecteur doivent être testées régulièrement à l'aide de gaz, comme il est expliqué dans les sections Essais et Étalonnage sur le terrain. Tous les travaux d'entretien et de réparation des produits fabriqués par Macurco doivent être effectués à l'usine de fabrication macurco appropriée. Macurco ne sanctionne aucune réparation de tiers

6.1 Réinitialisation de la durée de vie du capteur

1. Retirez la vis Philips à l'avant du CM-xx. Retirez le couvercle avant de l'appareil.
2. Pour réinitialiser la durée de vie du capteur (rSt), en mode normal ou en mode échauffement, appuyez quatre fois sur le bouton **Suivant** pour vous rendre en mode SEn ou Capteur.
3. Appuyez ensuite sur le bouton **Entrée** pour vous rendre à « rSt » - Reset Sensor Mode.
4. Appuyez de **nouveau sur** le bouton **Entrée** pour voir l'état de réinitialisation du capteur. Si la durée de vie du capteur a déjà été réinitialisée, le don effectué s'affiche. S'il n'a pas déjà été réinitialisé, non s'affiche. Appuyez ensuite pour le changer en « OUI » (clignotant), puis appuyez sur **Entrée** pour confirmer le changement (solide) et appuyez de nouveau sur **Entrée** pour revenir à « rSt » dans le menu « SEn ». Appuyez **sur Suivant** jusqu'à ce que la fin soit affichée, puis **appuyez** sur **Entrée** pour revenir au fonctionnement normal. La durée de vie du capteur sera réinitialisée pendant 1 an.

REMARQUE: Si le capteur est réinitialisé et que le détecteur n'est pas remplacé, il est nécessaire de tester et/ou de calibrer le capteur pour s'assurer qu'il fonctionne toujours selon les spécifications acceptables bien que le capteur approche de la fin de sa durée de vie prévue. Il n'y aura aucune autre indication de la performance du capteur.

AVERTISSEMENT (en)

Ne démontez pas l'appareil et n'essayez pas de réparer ou de modifier un composant de cet appareil. Cet instrument ne contient aucune pièce pouvant être mise en service par l'utilisateur, et la substitution de composants peut nuire aux performances du produit.

MISE EN GARDE

Évitez d'utiliser des produits nettoyants agressifs, des abrasifs et d'autres solvants organiques. Ces matériaux peuvent égratigner les surfaces de façon permanente et endommager la fenêtre d'affichage, les étiquettes, le capteur ou le boîtier de l'instrument. Les bornes haute tension (100-240VAC) sont situées à l'intérieur de ce détecteur, ce qui présente un danger pour les techniciens de service. Seuls des techniciens qualifiés doivent ouvrir le boîtier du détecteur et faire l'entretien des circuits internes. Assurez-vous que l'alimentation du détecteur est retirée avant de nettoyer l'appareil. Le non-respect de cette loi peut entraîner la maladie ou la mort.

6.2 Le nettoyage

Il est préférable de nettoyer les surfaces extérieures à l'aide d'un linge humide avec un détergent doux ou du savon. Utilisez un aspirateur avec brosse douce pour enlever la poussière ou la contamination sous le couvercle. Ne pas souffler le capteur avec de l'air comprimé.

7 Les tests

AVERTISSEMENT (en)

L'utilisation d'un gaz certifié dont la concentration est autre que celle indiquée pour ce détecteur lors d'un test de vérification de l'étalonnage (essai de bosses) produira des lectures inexactes. Cela signifie que des niveaux plus élevés du gaz surveillé peuvent être présents et entraîner une surexposition. Pour une utilisation appropriée, consultez le superviseur ou le manuel d'utilisation, ou communiquez avec le service d'assistance technique au 1-844-325-3050.

Toutes les unités CM-6 sont calibrées en usine, testées à 100% pour un bon fonctionnement et une précision de $\pm 10\%$ *. Pendant le fonctionnement normal, le voyant d'état vert s'allume de façon constante, le ventilateur et le relais d'alarme seront en mode veille et la sortie de 4 à 20 mA sera à 4 mA (dans l'air pur). L'appareil effectue également un autotest automatique régulier pendant le fonctionnement normal. Si l'appareil détecte une tension incorrecte ou un composant inutilisable, il sera mis en mode Erreur par défaut. Dans ce mode d'erreur, le relais d'alarme sera activé, la boucle de courant de 4-20 mA ira à 24 mA, l'unité affichera le code d'erreur, le voyant d'état vert clignotera, et l'avertisseur sonnera par intermittence. Le relais du ventilateur s'enclenchera également si l'option de réglage du ventilateur de dérangement est réglée sur ON.

*Testé à 100 ppm co à 68°F à 75°F.

7.1 Les tests

7.1.1 Test d'opération

Vérifiez que le voyant lumineux vert de l'indicateur d'état CM-6 s'allume continuellement. Si ce n'est pas le cas, ne pas procéder aux tests. Si l'appareil est en mode erreur, contactez votre représentant local ou votre représentant du service technique Macurco pour obtenir des informations sur la résolution du problème.

1. Retirer la vis simple au milieu du couvercle avant du CM-6.
2. Retirer le couvercle avant.
3. Observez le voyant lumineux à l'avant du CM-6.
4. Si le voyant est vert solide, passez à l'étape 6.
5. Si le voyant d'état vert est éteint ou clignote, reportez-vous à la section Générale ci-dessus.
6. Localisez l'interrupteur étiqueté ENTER/TEST sur le côté gauche de la carte de circuit imprimé. Appuyez une fois sur le bouton Test.
7. Le CM-6 passera par un test de cycle:
 - a. L'affichage progresse à travers le BUZ (Buzzer Test) Art (test de relais d'alarme), Frt (test de relais de ventilateur) puis 42t (test de sortie de 4-20 mA). Assurez-vous que les paramètres sont allumés ou non désactivés .
 - b. Pendant les 3 premières secondes du cycle d'essai, l'affichage affichera BUZ et
 - c. Le relais d'alarme sera fermé pendant 5 secondes, tous les appareils connectés à ce relais seront testés.
 - d. Le relais du ventilateur sera activé pendant les 1 minute suivantes de l'essai, donc si les circuits du ventilateur sont câblés de la manière normale, le ventilateur doit fonctionner.
 - e. La sortie 4-20mA montera alors de 4 à 16 mA au cours des 130 prochaines secondes de l'essai, donc si le circuit est câblé de la manière normale, le panneau de contrôle ou le système d'automatisation du bâtiment devrait répondre.
 - f. À la fin du cycle d'essai, le ventilateur et le relais d'alarme seront en mode veille et la sortie de 4 à 20 mA reviendra à 4 mA (dans l'air pur).
8. Lorsque les essais sont terminés, remonter l'unité ou les unités.

7.1.2 Test d'utilisation manuelle

Cette option donne à l'utilisateur la possibilité d'initier manuellement un test individuel pour chaque relais, la sortie analogique et la réponse du capteur au gaz. En mode de fonctionnement normal, appuyez 2 fois sur le bouton Suivant pour vous rendre en mode Test (tSt). Appuyez une fois sur le bouton Entrée pour entrer dans le menu Test. Appuyez sur le bouton Suivant pour faire défiler les cinq options de test et appuyez sur Entrée pour lancer le test sélectionné. Notez que si le relais ou la sortie 4-20 mA a été désactivé, la sélection du test ne sera pas affichée dans le menu test.

bUZ- Buzzer Test, 3 secondes

Art - Test de relais d'alarme, 5 secondes

Frt - Test de relais de ventilateur, 60 secondes

42t - 420 essai de boucle, 130 secondes

gtS - Essai de gaz, 3 minutes (aucune sortie au panneau pendant l'essai de gaz)

L'affichage clignotera pendant l'essai, ou dans le cas de l'essai de gaz, le niveau de gaz alternera avec gtS. Une fois le test terminé, l'affichage revient à l'affichage régulier. Pour quitter le menu test, appuyez sur le bouton Suivant jusqu'à ce que la touche « Fin » s'affiche, puis **appuyez sur** Entrée pour revenir en mode normal.

7.2 Trousses d'étalonnage et d'essai

AVERTISSEMENT (en)

Les étapes suivantes doivent être effectuées lors d'un essai d'étalonnage ou de vérification de l'étalonnage (essai de bosse) afin d'assurer le bon fonctionnement du moniteur. Le non-respect de cette mesure peut nuire à la performance du produit.

- Lors d'un essai d'étalonnage ou de vérification d'étalonnage (essai de bosses), n'utiliser du gaz d'étalonnage certifié qu'au niveau de concentration requis.
- Ne pas tester avec du gaz d'étalonnage expiré.
- Ne pas couvrir ou obstruer l'écran ou le couvercle de l'alarme visuelle.
- Assurez-vous que les entrées des capteurs ne sont pas obstruées et exemptes de débris

Le non-respect des instructions décrites dans ce manuel d'utilisation peut entraîner la maladie ou la mort.

- Lors d'un essai d'étalonnage ou de vérification d'étalonnage (essai de bosses), n'utiliser du gaz d'étalonnage certifié qu'au niveau de concentration requis. Ne pas calibrer avec du gaz d'étalonnage expiré.
- Si l'appareil ne peut pas être étalonné, ne pas l'utiliser tant que la raison n'a pas été déterminée et corrigée.
- Ne pas couvrir ou obstruer l'écran ou le couvercle de l'alarme visuelle.
- Assurez-vous que les entrées des capteurs ne sont pas obstruées et qu'elles sont exemptes de débris

Une trousse d'étalonnage sur le terrain, cal-kit 1, et une bouteille de gaz d'étalonnage est nécessaire pour compléter l'essai de gaz. Ceux-ci sont disponibles par distribution locale ou auprès de Macurco.

NOTA : Le CM-xx doit être mis à l'essai ou étalonné à intervalles réguliers conformément aux exigences de la National Fire Protection Association (NFPA) 720 ou aux exigences du code local. Il est recommandé de tester ou d'étalonner cm-xx au moins une fois par année.

Contenu du Cal-Kit 1

- Cal-Kit 1 (30-0011-1110-2)
 - Cas d'étalonnage
 - Deux pieds de tuyauterie de Tygon
 - Paquet cal hood-macurco
 - 0,2 LPM Régulateur de gaz (F)

Sont également nécessaires les bouteilles de gaz suivantes (vendues séparément) :

- Qté 1 CO-200PPM (70-0714-0348-2) Monoxyde de carbone CO Cal Bouteille de gaz 17L 200 ppm (M) (**Pour l'étalonnage**)
- Qté 1 CO-50PPM (70-0714-8640-4) Monoxyde de carbone CO Cal Bouteille de gaz 17L 50 ppm (M) (Pour **les essais de gaz**)

Information Cal-Kit 1

Plusieurs détecteurs peuvent être étalonnés avec un Cal-Kit. La seule limite est la quantité de gaz dans la bouteille. Le cylindre de 17 litres a environ 85 minutes de temps d'étalonnage continu. La bouteille de gaz doit être remplacée lorsque le manomètre du régulateur indique 25 lb/po2 ou moins.

Remarque : Pour obtenir des résultats d'essai optimaux, il est suggéré que l'appareil soit dans l'air pur, qu'il soit allumé et qu'il soit à faible débit d'air ambiant.

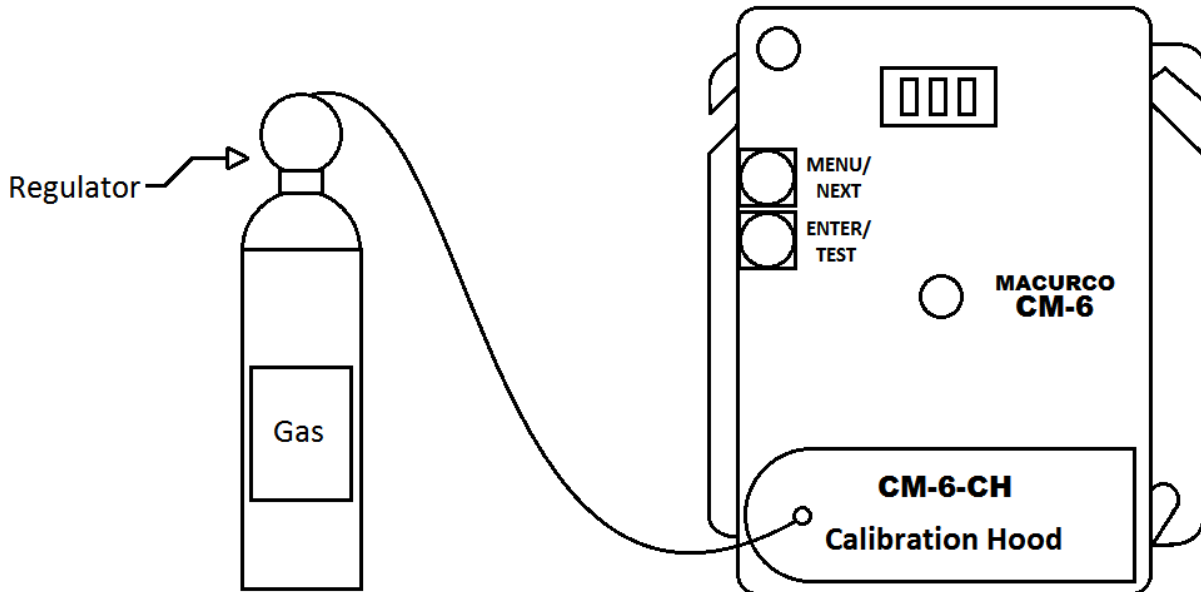


Figure 7-1 Connexion du kit d'étalonnage

7.3 Essais de gaz

7.3.1 Essai du relais de ventilateur

1. Retirez la vis Philips à l'avant du CM-6. Retirer le couvercle avant.
2. Ouvrez le Cal-Kit 1. Raccorder la bouteille de gaz de 50 ppm au régulateur.
3. Vérifiez le manomètre du régulateur. Si vous avez 25 lb/po2 ou moins, vous devrez remplacer la boîte de gaz.
4. Assembler le régulateur, le tuyau et la hotte d'essai et placer la hotte d'essai sur le capteur de CO.
Remarque: Le temps d'activation du relais du ventilateur dépend du réglage du délai.
5. Allumez le régulateur pour démarrer le débit de gaz et attendez avec le gaz appliqué en continu.
6. Lorsque la fonction d'affichage est activée, le CM-6 indique la concentration actuelle de CO ou de 0 (zéro) dans l'air pur. Lorsque la concentration de CO atteint le réglage du relais du ventilateur (35 ppm, par exemple), l'affichage clignotera d'avant en arrière entre « FAn » et « rougeur de gaz actuel ». Lorsque la fonction d'affichage est désactivée, l'affichage n'indique pas la concentration de CO, mais indique « FAn » tant que le relais du ventilateur est activé.

Note: Si le relais du ventilateur ne se ferme pas dans les 2 minutes, il y a quatre possibilités:

- a. La bouteille de gaz est vide, vérifiez le manomètre. Remplacez la bouteille de gaz si vous 25 psi ou moins.
 - b. L'unité doit être recalibrée (passer par le recalibrage et le retest).
 - c. Le détecteur a besoin d'être réparé (retourner l'unité à l'usine pour l'entretien).
 - d. Le détecteur a le relais de ventilateur réglé pour désactiver (diS) ou 100ppm. Réglez le relais du ventilateur à 25 ppm et répétez le test.
7. Retirez le gaz du capteur. Passez à tester le relais d'alarme ou remplacez le couvercle supérieur.

7.3.2 Test du relais d'alarme

Note: La concentration de CO pour activer le relais d'alarme dépend du réglage.

1. Raccorder la bouteille de monoxyde de carbone de 200 ppm au régulateur.
2. Vérifiez le manomètre. S'il y a 25 psi ou moins, le cylindre doit être remplacé.

3. Placez la hotte d'essai sur le capteur de CO. Allumez le régulateur pour démarrer le débit de gaz.
4. Le relais du ventilateur doit s'activer selon les réglages.
5. Lorsque la fonction d'affichage est activée et que la concentration de CO atteint le réglage du relais d'alarme (200 ppm, par exemple), l'affichage clignotera d'avant en arrière entre « ALr » et « current gas reading ». L'avertisseur sonore sonnera en indiquant « Alarme » si l'avertisseur sonore est allumé. Lorsque la fonction d'affichage est désactivée, l'affichage n'indique pas la concentration de CO, mais indique « ALr » lorsque le relais d'alarme est activé.

Note: Si le relais d'alarme ne fonctionne pas dans les 2 minutes, il y a quatre possibilités:

- a. La bouteille de gaz est vide, vérifiez le manomètre. Remplacez la bouteille de gaz si elle mesure 25 lb/po2 ou moins.
 - b. L'unité doit être recalibrée (passer par le recalibrage et le retest).
 - c. Le détecteur a besoin d'être réparé (retourner l'unité à l'usine pour l'entretien).
 - d. Le détecteur a le relais d'alarme réglé pour désactiver (diS). Réglez le relais d'alarme à 100 ppm et répétez le test.
6. Retirer le gaz du capteur après l'essai. Procéder à l'essai de la sortie 4-20mA ou remplacer le couvercle supérieur.

7.3.3 Test de la boucle 4-20mA

1. Raccorder la bouteille de monoxyde de carbone de 200 ppm au régulateur.
2. Vérifiez le manomètre. S'il y a 25 lb/po2 ou moins, le cylindre doit être remplacé.
3. Placer le capuchon du régulateur sur le capteur de CO. Allumez le régulateur pour démarrer le débit de gaz.
4. Le relais du ventilateur doit s'activer selon les réglages.
5. Le relais d'alarme doit s'activer selon les réglages.
6. La puissance de 4 à 20 mA devrait augmenter de 4 mA dans l'air pur à 20 mA à 200 ppm. Voir le diagramme de 4 à 20 mA à la page 6.

Note: Si la sortie 4-20mA ne s'accélère pas dans les 2 minutes, il y a quatre possibilités:

- a. La bouteille de gaz est vide, vérifiez le manomètre. Remplacez la bouteille de gaz si elle mesure 25 lb/po2 ou moins.
 - b. L'unité doit être recalibrée (passer par le recalibrage et le retest).
 - c. Le détecteur a besoin d'être réparé (retourner l'unité à l'usine pour l'entretien).
 - d. Le détecteur a l'option de 4-20 mA réglée sur « OFF ». Réglez l'option 4-20mA sur On et répétez le test.
7. Retirez le gaz du capteur. Remonter le CM-6 (assurez-vous que la DEL est alignée avec le trou du boîtier avant). Tu as fini.

7.3.4 Essai de monoxyde de carbone d'aérosol

Le CME1-FTG est un gaz d'essai sur le terrain de monoxyde de carbone aérosol de 11 L 500 ppm qui peut être utilisé avec le CM-xx. Ce gaz d'essai sur le terrain permet aux installateurs de faire un test de fonctionnalité rapide du capteur de CO. Le débit du CME1-FTG est de 10 Lpm de sorte que vous aurez environ une minute de gaz ou assez pour tester 20-30 capteurs.

1. Les unités à tester doivent être alimentées en continu pendant au moins 3 minutes avant de continuer.
2. Pour obtenir des résultats d'essai optimaux, l'appareil doit être dans un air pur et être à faible débit d'air ambiant.
3. Vérifiez que le témoin lumineux d'état CM-6 est allumé en continu. Si ce n'est pas le cas, ne faites pas de tests. Consultez la section Diagnostics embarqués cm-6.
4. L'option d'affichage doit être réglée sur « On » et la lecture de 0 ppm dans l'air pur.
5. Lorsque le couvercle CM-6 est allumé, diriger le bec de l'aérosol dans la grille du capteur (sous NE PAS PEINDRE) et appuyer pendant 2 à 3 secondes.
6. Attendez quelques secondes. L'affichage numérique doit monter indiquant la concentration accrue de CO au niveau du capteur confirmant une passe de l'essai rapide.

Note: Si l'affichage ne change pas dans les 10 secondes, il y a quatre possibilités:

- a. La bouteille de gaz est vide, remplacez la bouteille de gaz.

- b. L'unité doit être recalibrée (passez par la procédure d'étalonnage sur le terrain et réesseez- testez).
 - c. Le détecteur a besoin d'être réparé (retourner l'unité à l'usine pour l'entretien).
7. Attendez que l'affichage revienne à 0 ppm et configurez les options aux paramètres souhaités.

7.4 Procédure d'étalonnage sur le terrain

Remarque : Pour obtenir des résultats d'étalonnage optimaux, l'appareil doit être dans un air pur et être à faible débit d'air ambiant.

CM-xx a le menu de niveau supérieur de « CAL » qui peut être employé pour exécuter l'étalonnage de champ. 'tSC', 'Spn' et 'End' sont des sous-menus dans le menu « CAL ». 'tSC' est le menu en lecture seule et représente l'heure depuis le dernier étalonnage. Si vous entrez dans ce sous-menu, il affichera la valeur en format Y.MM. Mm sont pour les mois et Y pour l'année. Par exemple, si la valeur est de 0,0 5, il y a 5 mois que l'appareil a été étalonné pour la dernière fois. Le sous-menu 'Spn' est utilisé pendant la procédure d'étalonnage sur le terrain comme décrit dans la procédure suivante. Le sous-menu 'Fin' est utilisé pour quitter le menu 'CAL'.

Suivez la procédure ci-dessous pour l'étalonnage sur le terrain.

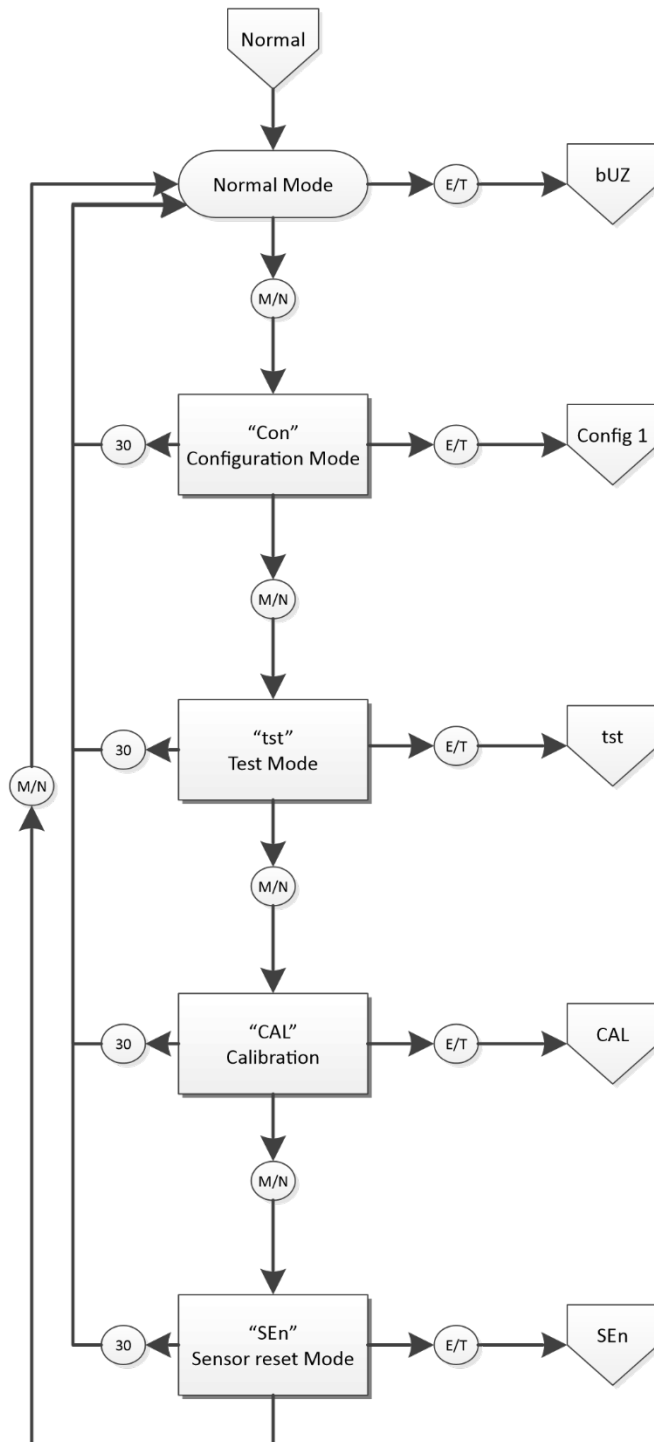
- a. Retirez la vis Philips à l'avant du CM-xx. Retirez le couvercle avant de l'appareil.
- b. Assemblez la bouteille de gaz de 200 ppm et le régulateur ensemble.
- c. Vérifiez le manomètre du régulateur. Si vous avez 25 lb/po2 ou moins, vous devrez remplacer la bonbonne de gaz.
- d. Placer la hotte d'essai du régulateur sur le capteur de CO.
- e. Appuyez sur Suivant 3 fois pour vous rendre au menu CAL, puis appuyez sur Entrée. Il affichera « tSC ». Push Ensuite, allez à « Spn » et appuyez sur Entrée. L'affichage clignotera d'avant en arrière entre le GAS et le 200.
- f. Commencez à appliquer du gaz sur le capteur de CO.
Note: Le capteur recherchera le gaz pendant 90 secondes. Si aucun gaz n'est appliqué ou détecté dans ce temps, l'affichage retournera à CAL.
- g. Lorsque le capteur détecte le gaz, l'affichage clignotera d'avant en arrière entre la concentration de CO et le SPn, puis le calibrage progressera, et l'affichage affichera le niveau de gaz pendant un maximum de 165 secondes.
- h. Lorsque le calibrage est réussi, l'affichage clignotera d'avant en arrière entre la concentration de CO et pas, puis l'affichage montrera le niveau de gaz d'étalonnage et le calibrage est fait.
- i. Si le calibrage échoue, l'affichage clignotera d'avant en arrière entre la concentration de CO et « FAil ». Dans ce cas, vérifiez le manomètre du régulateur. Si la pression est inférieure à 25 lb/po2, le débit de gaz peut ne pas être suffisant pour calibrer correctement l'appareil. S'il y a une pression adéquate dans le cylindre, répéter les étapes 4 à 6. Si l'appareil ne fonctionne pas deux fois, contactez le support technique : 1-844-325-3050.
- j. Une fois le calibrage passé, retirez le gaz et démontez la bouteille et le régulateur.
- k. Remonter le CM-xx (assurez-vous que la DEL est alignée avec le trou du boîtier avant). Tu as fini.
- l. Voir l'organigramme d'étalonnage à l'intérieur du logement.

8 Annexe A - Tableau des images

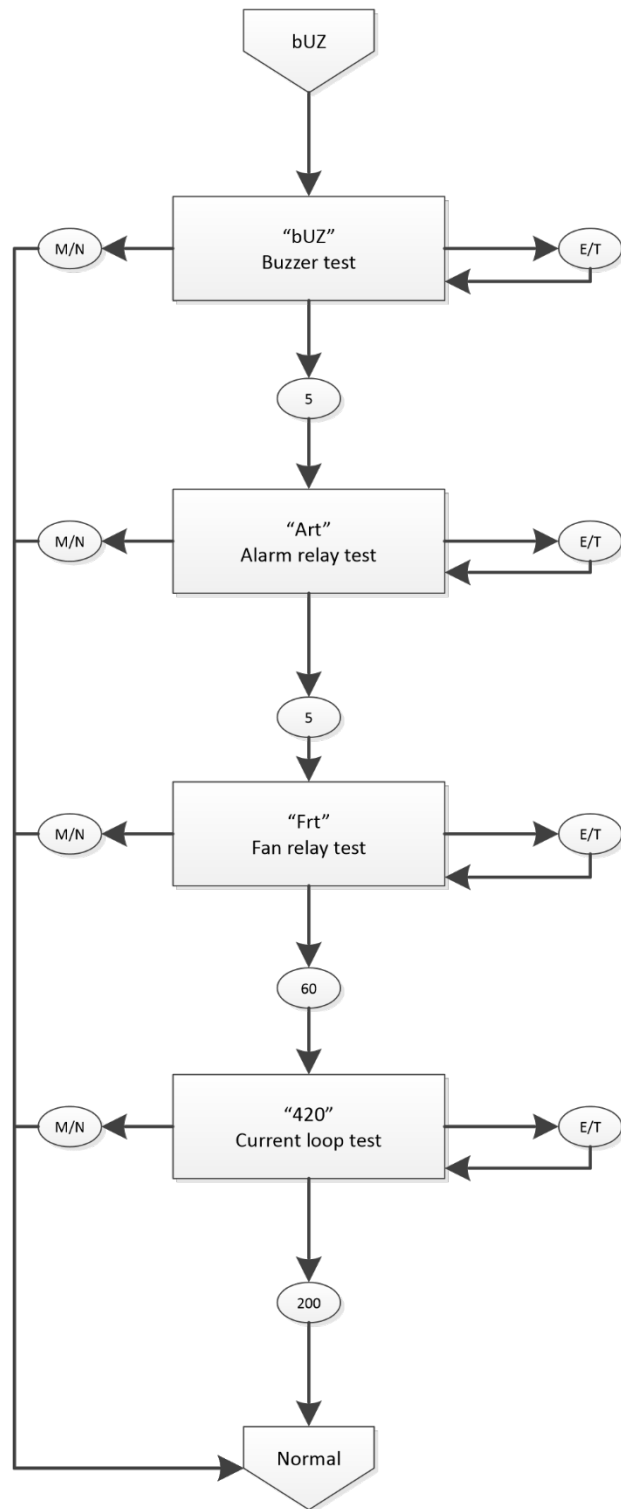
Figure 3-1 6 séries 4-20 mA Diagramme de sortie.....	128
.....	12
Figure 3-2 Vue arrière série 6	139
.....	13
Figure 3-3 Tableau de contrôle d'alarme de la série	136 diagramme 9
.....	13
Figure 3-4 Panneau de contrôle DVP-120 série 6	14diagramme 9
.....	14
Figure 3-5 Diagramme de plusieurs appareils de la série.....	156 10
.....	15
Figure 3-6 6-Series Diagramme autonome	1510
.....	15
Figure 3-7 Panneau d'alarme alternatif série 6	1511
.....	15
Figure 3-8 Câblage combiné corne et stroboscopique série	1611
.....	16
Figure 3-9 12 séries 4-20 mA Diagramme de sortie.....	1713
.....	17
Figure 3-10 Vue arrière série	18
.....	18 12
Figure 3-11 Diagramme autonome de la série 12	1813
.....	18
Figure 3-12 Diagramme de plusieurs appareils de la série	1912 14
.....	19
Figure 3-13 Panneau de contrôle d'alarme de la série 12 Diagramme	1914
.....	19
Figure 3-14 Panneau de contrôle DVP-120 série 120 Diagramme	1915
.....	19
Figure 3-15 Panneau d'alarme alternatif de la série 12.....	2015
.....	20
Figure 3-16 Câblage combiné corne et stroboscopique série	2016
.....	20
Figure 4-1 Vue du conseil.....	24d'administration 20
.....	24
Tableau 5-1 Affichage hexadécimal	2924
.....	29
Figure 7-1 Connexion du kit.....	34d'étalonnage 28
.....	34

9 Annexe B - Structure du menu

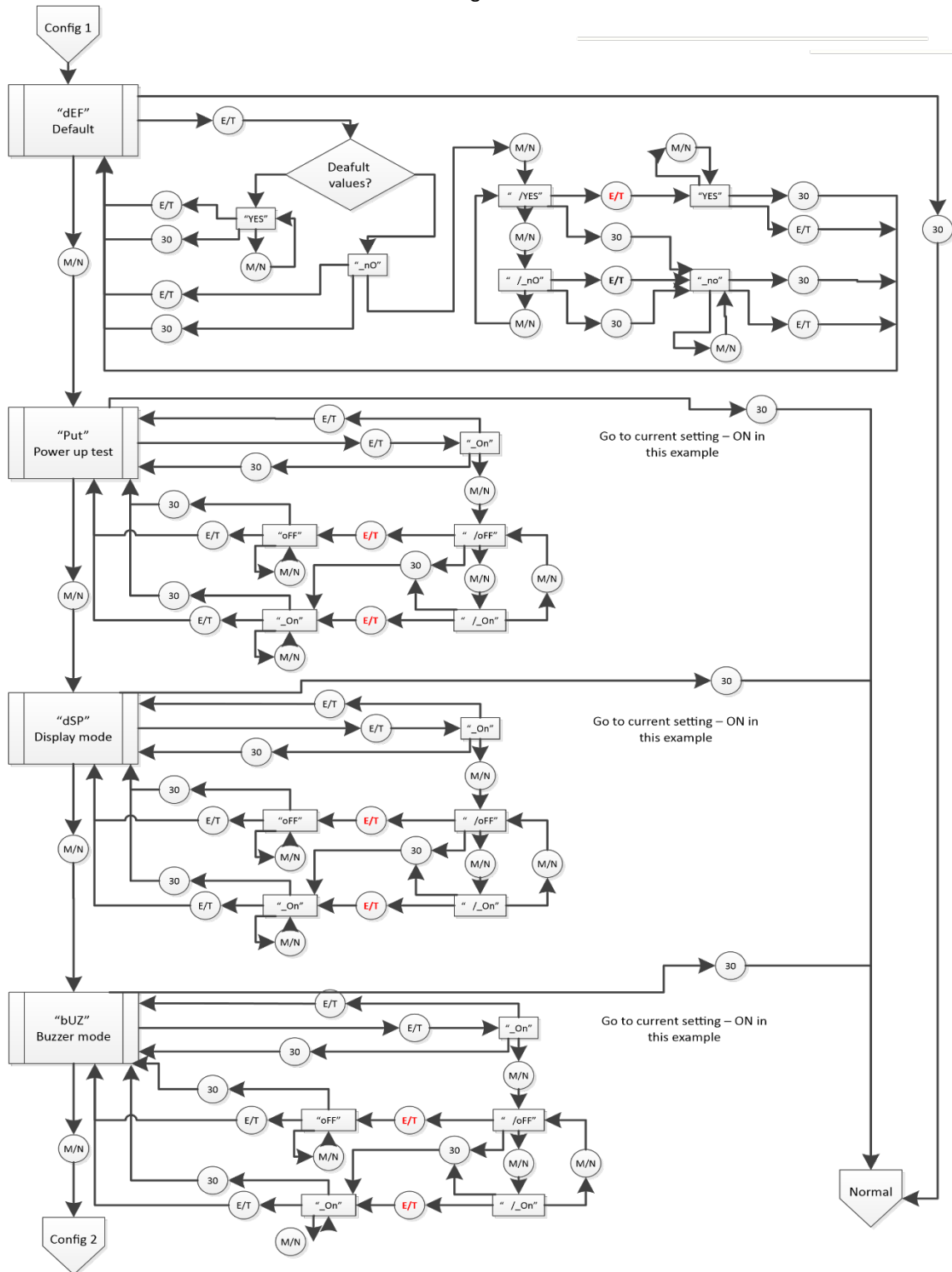
9.1 Menu principal

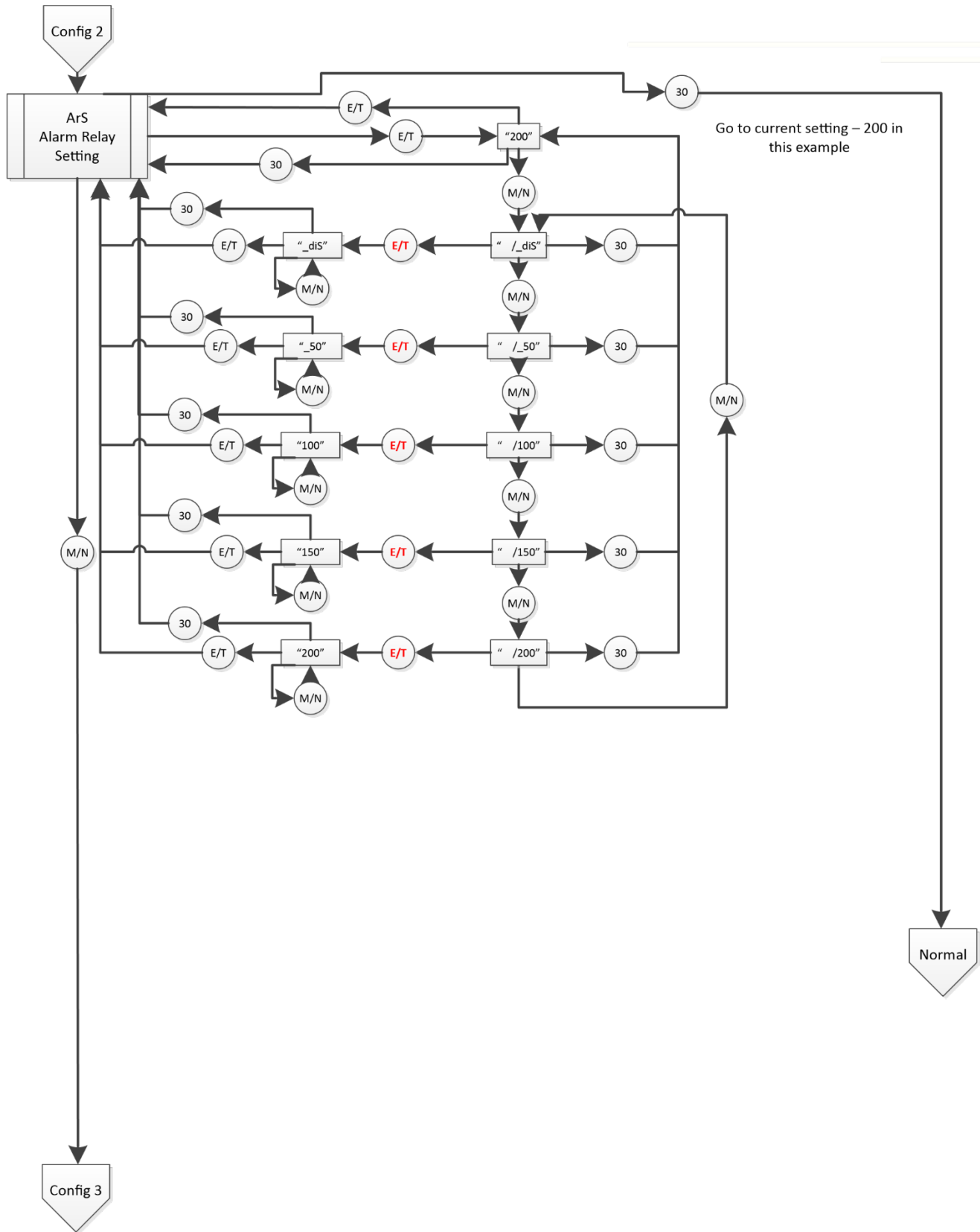


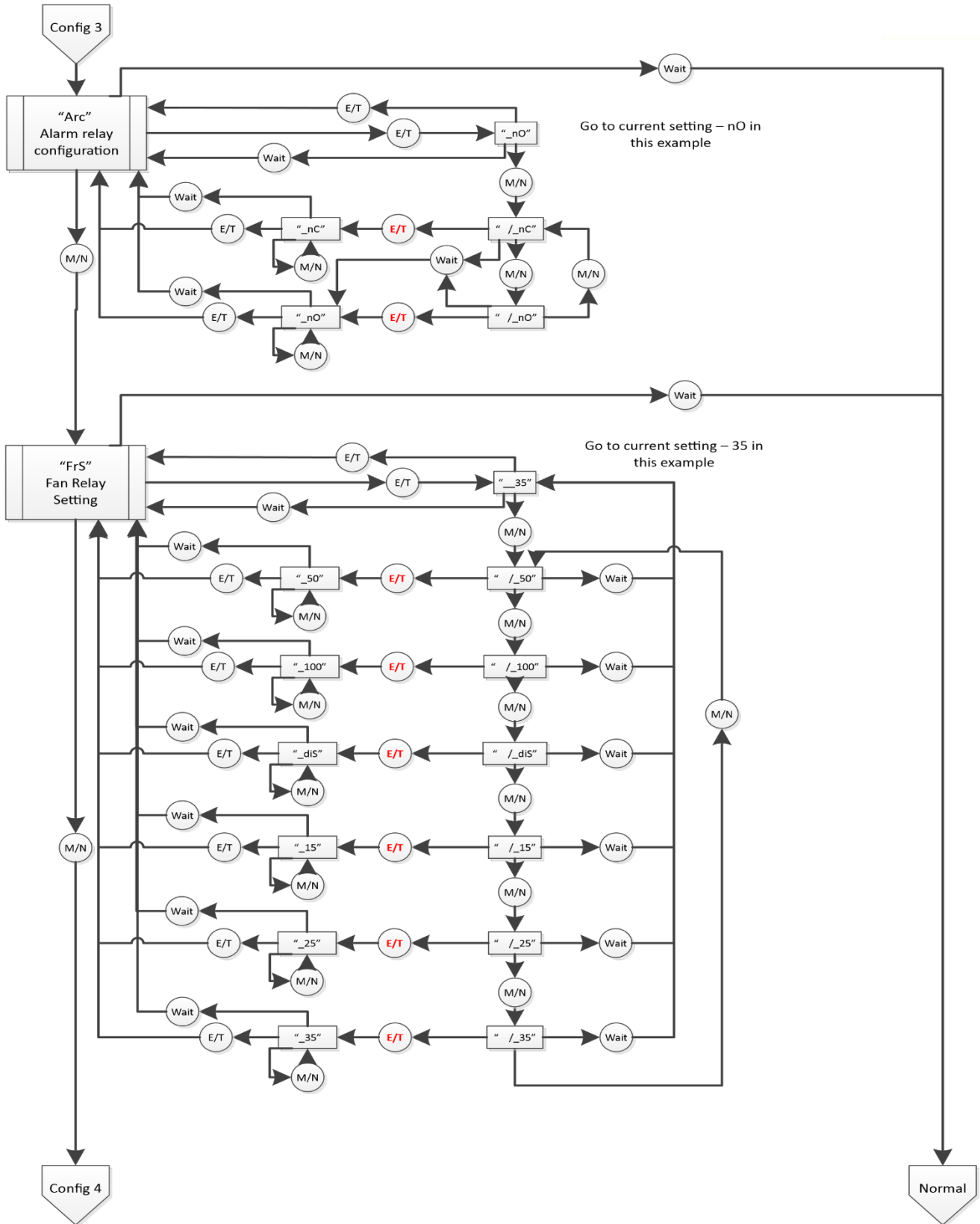
9.2 Menu test automatique « bUZ »

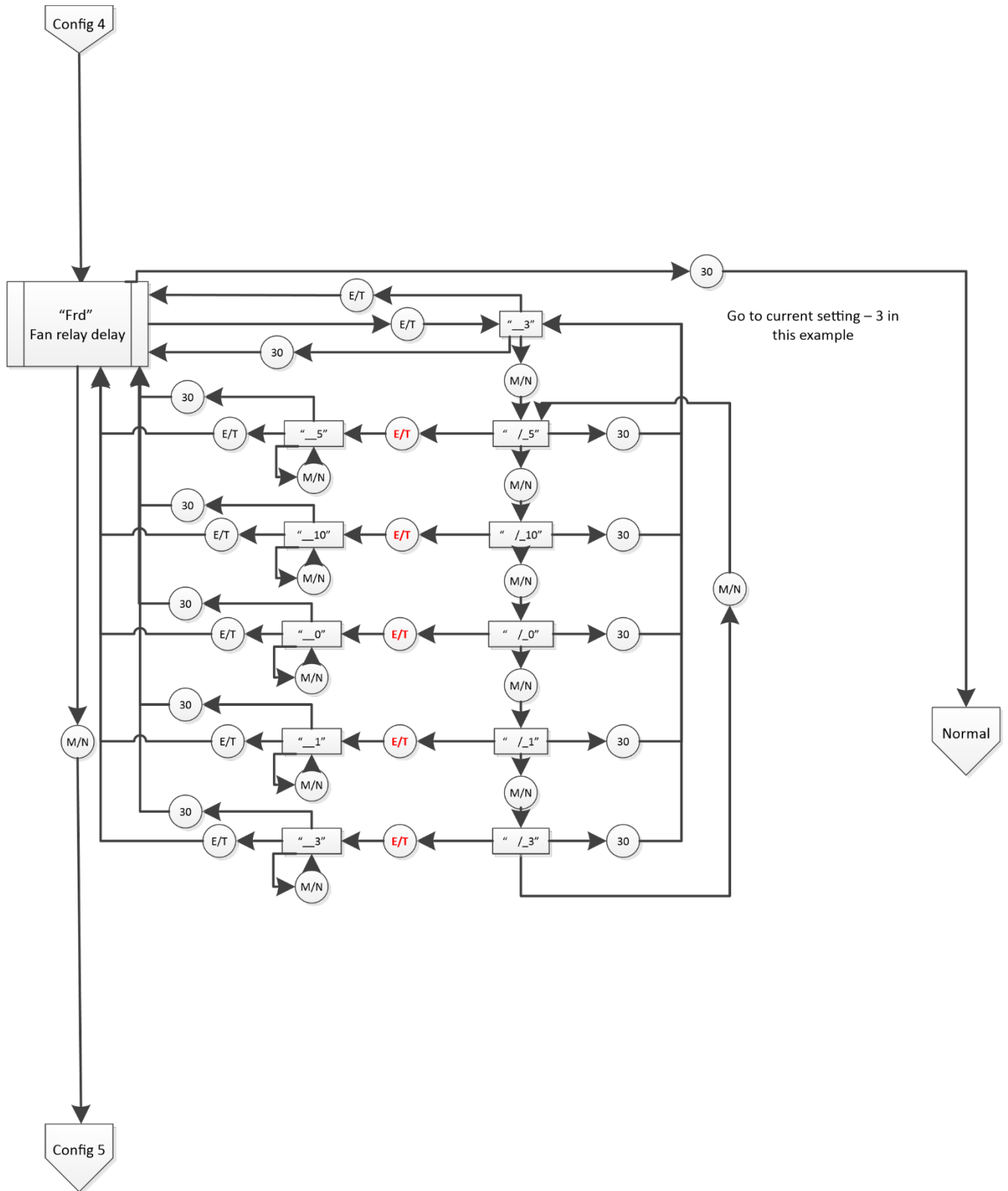


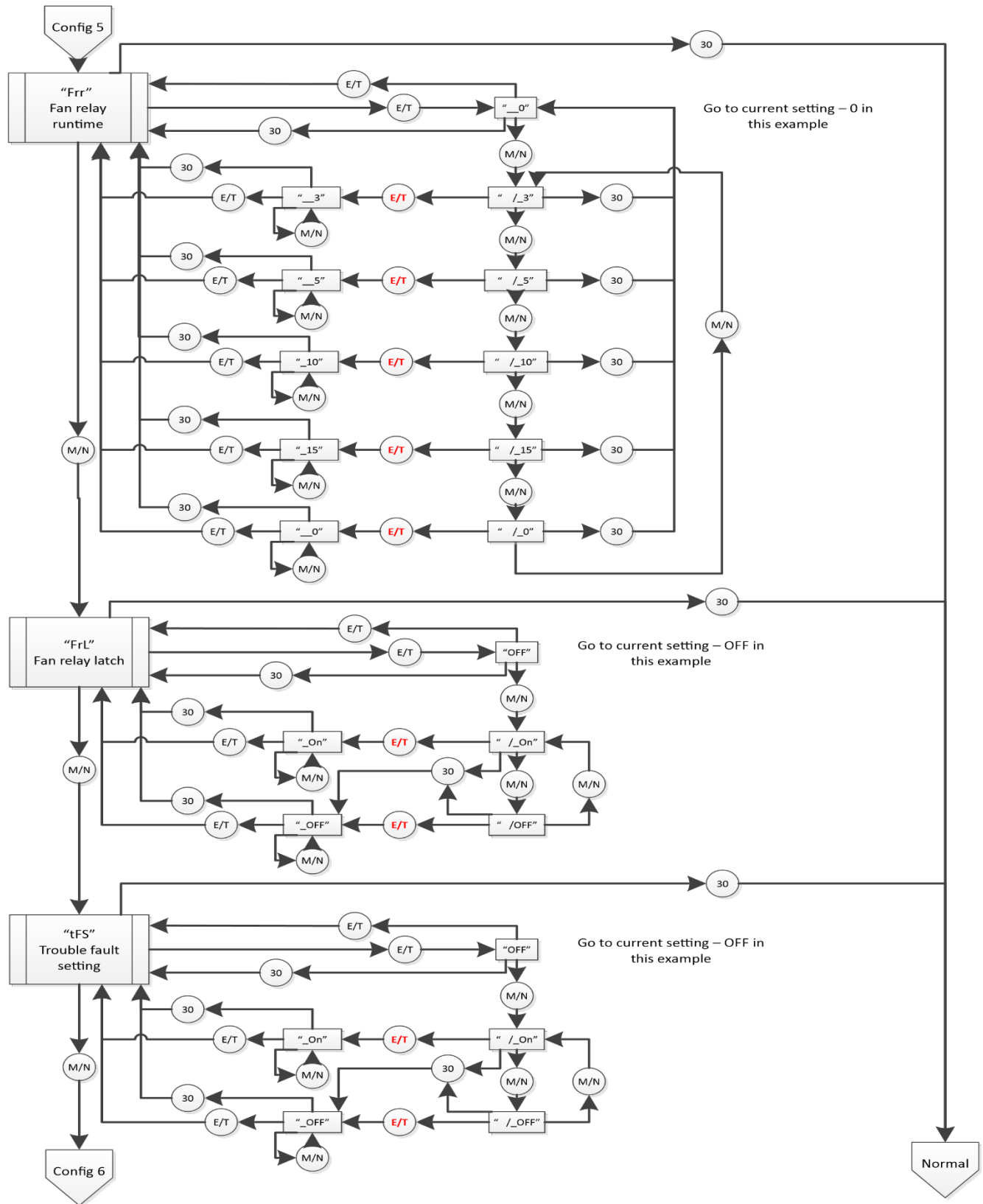
Menu de configuration « CON »

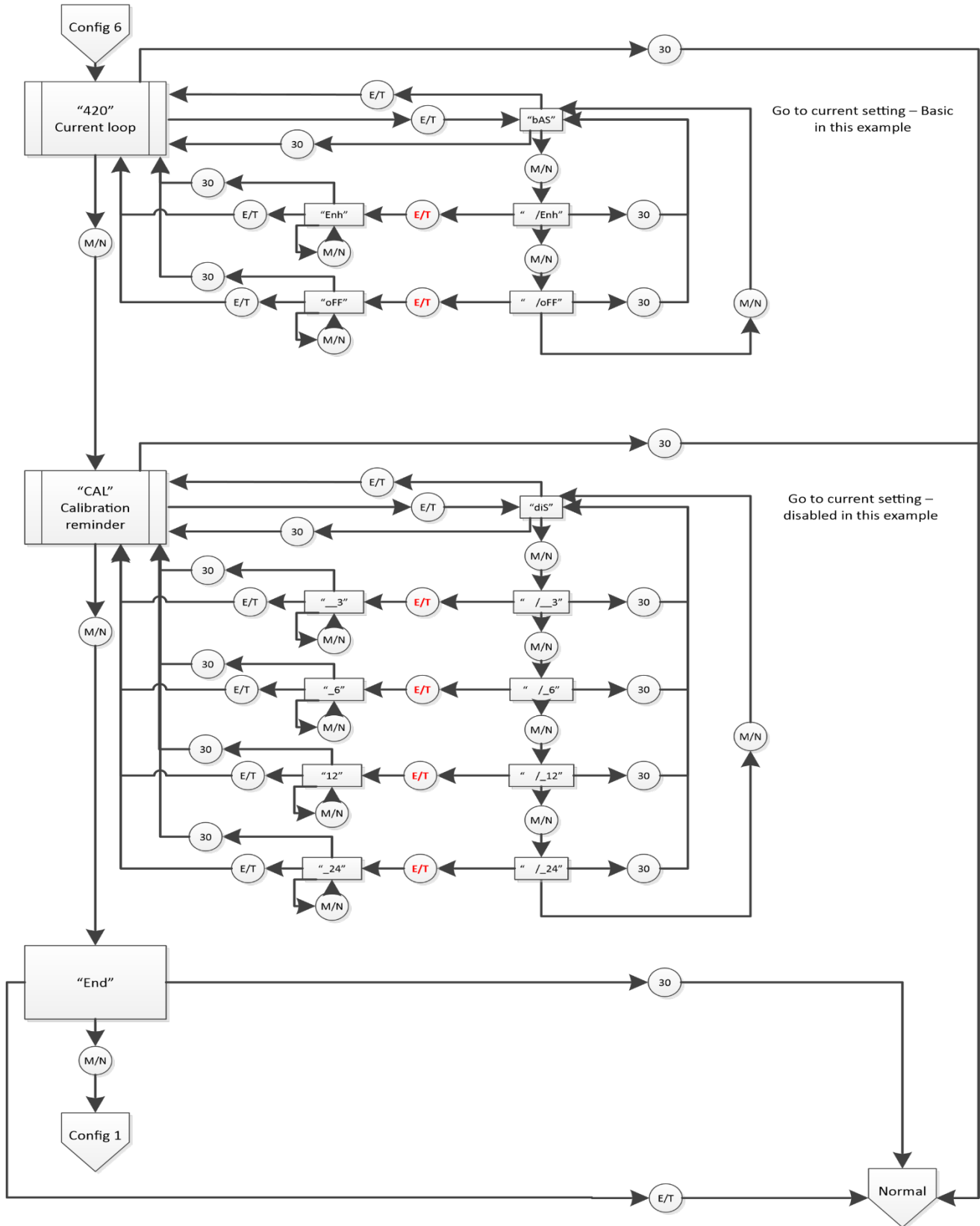




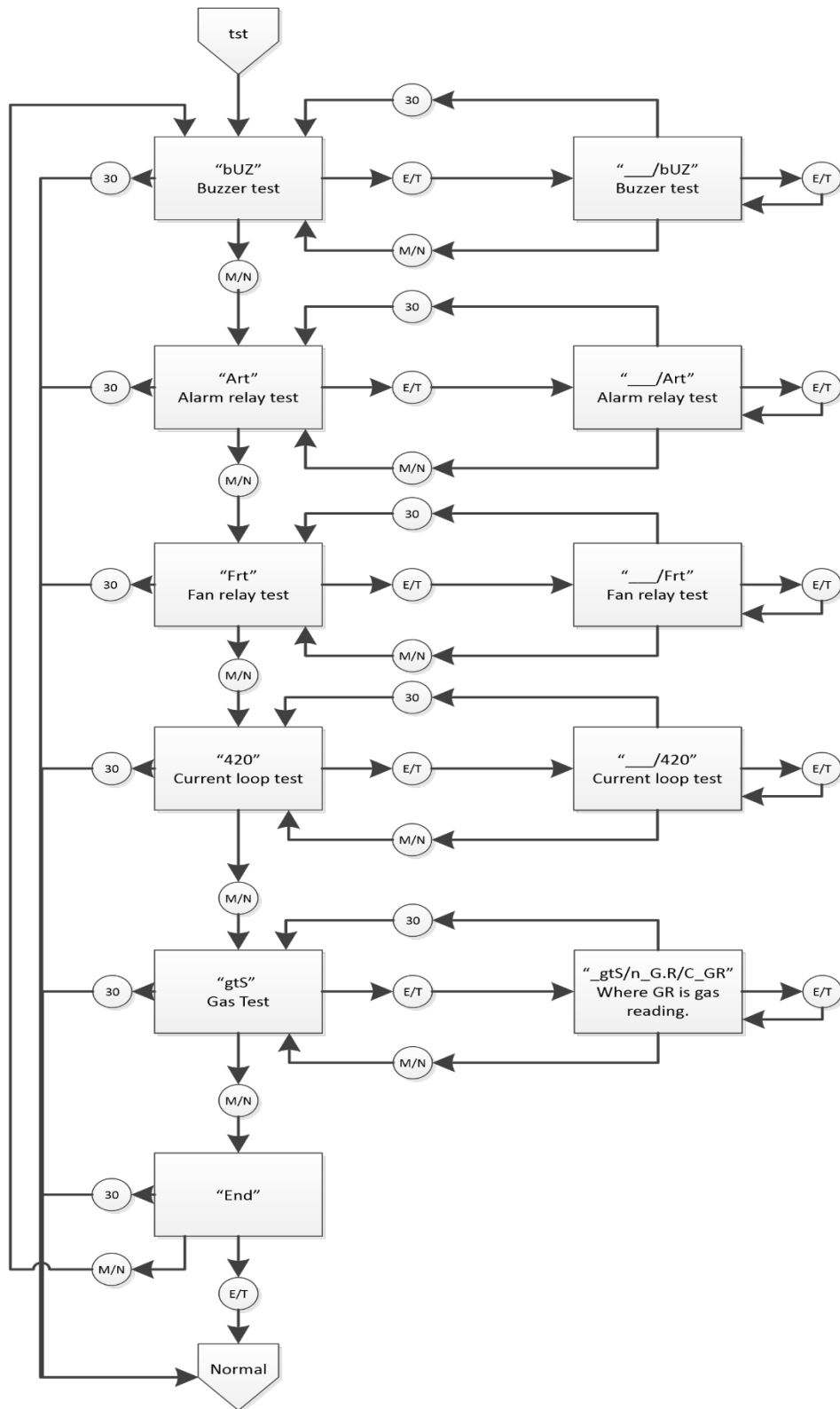




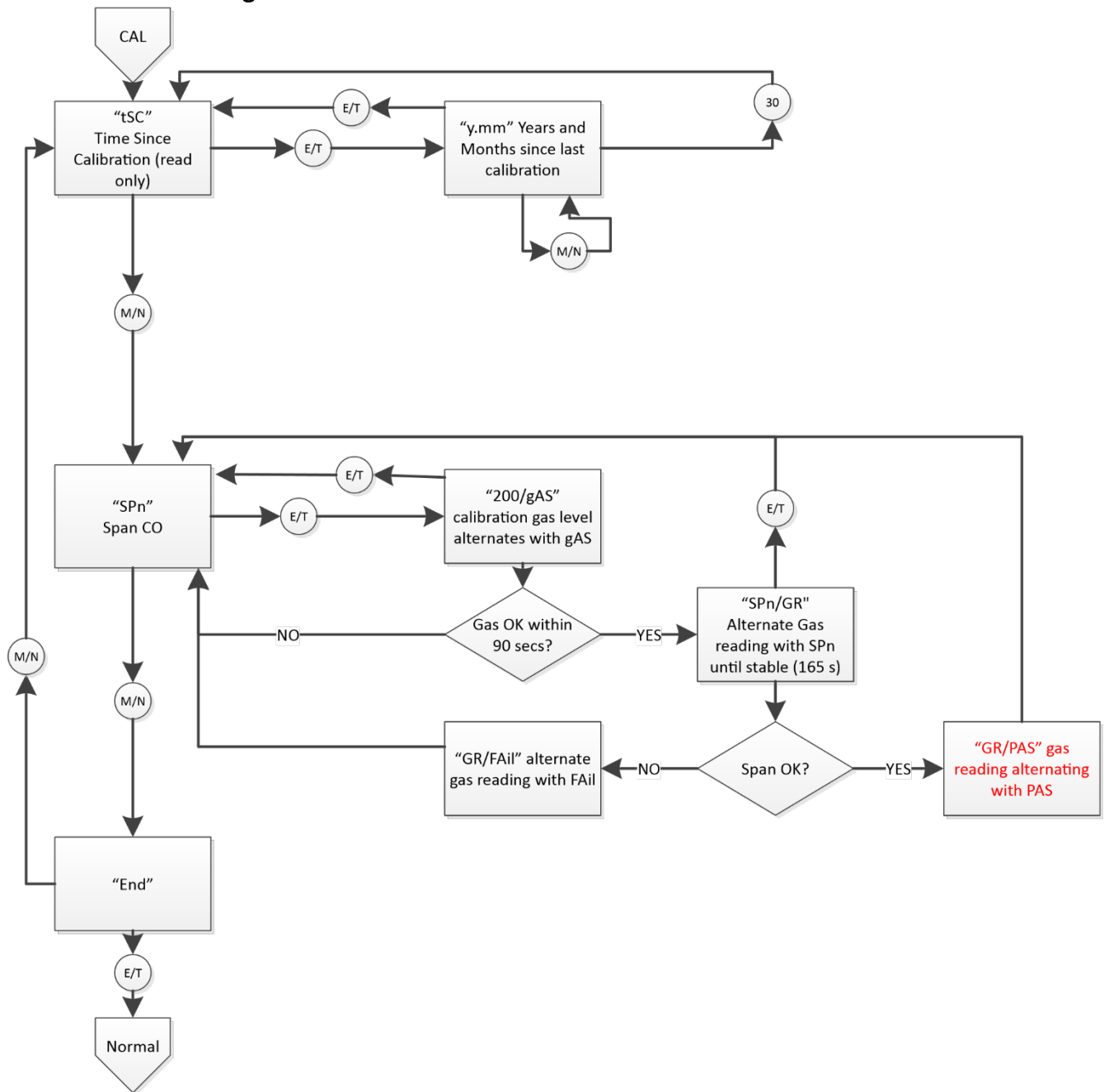




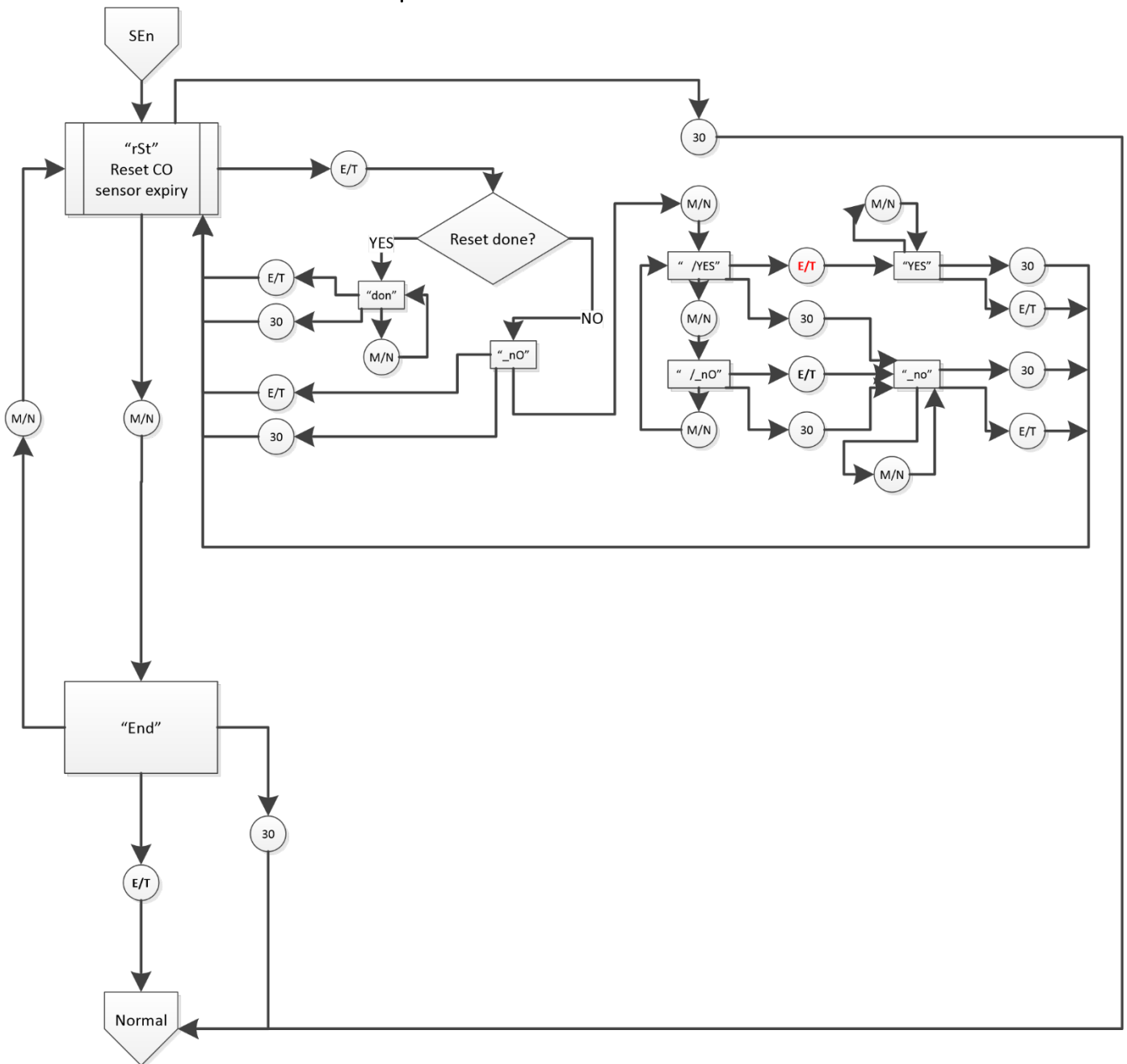
9.3 Sélectionnez menu test « tst »



9.4 Menu d'étalonnage « CAL »



9.5 Menu de réinitialisation du capteur « SEn »



11 Macurco Gas Detection Product garantie limitée

Macurco garantit que le détecteur de gaz CM-6 sera exempt de matériaux défectueux et de main-d'œuvre pendant une période de deux (2) ans à compter de la date de fabrication (indiquée sur le couvercle intérieur du CM-6), à condition qu'il soit entretenu et utilisé conformément aux instructions et/ou recommandations de Macurco. Si un composant devient défectueux pendant la période de garantie, il sera remplacé ou réparé gratuitement, si l'appareil est retourné conformément aux instructions ci-dessous. Cette garantie ne s'applique pas aux appareils qui ont été modifiés ou qui ont fait l'objet d'une tentative de réparation, ou qui ont été victimes d'abus, accidentels ou autres. La garantie ci-dessus remplace toutes les autres garanties, obligations ou responsabilités expresses. LES GARANTIES IMPLICITES DE QUALITÉ MARCHANDE ET D'APTITUDE À DES FINS PARTICULIÈRES SONT LIMITÉES À UNE PÉRIODE DE DEUX (2) ANS À COMPTER DE LA DATE D'ACHAT. Macurco n'est pas responsable des dommages accessoires ou consécutifs pour violation de cette garantie ou de toute autre garantie, expresse ou implicite, découlant de ou liée à l'utilisation dudit détecteur de gaz. La responsabilité du fabricant ou de son agent se limite au remplacement ou à la réparation tel qu'indiqué ci-dessus. Les seuls et uniques recours de l'acheteur sont le retour de la marchandise et le remboursement du prix, ou la réparation et le remplacement de marchandises ou de pièces non conformes.

Détection de gaz Macurco

3601, avenue N. St. Paul
Sioux Falls, DD 57104

Coordonnées du support technique

Téléphone: 1-844-325-3050
Télécopieur: 1-605-951-9616
Courriel: support@macurco.com
SiteWeb: www.macurco.com/support

Coordonnées générales

Téléphone: 1-877-367-7891
Télécopieur: 1-605-951-9616
Courriel: info@macurco.com
Site Web: www.macurco.com

Rév - 1. 2 Le

Date d'émission: 6/23/2021

Document no 34-2900-0511-6

© Aerionics 2021. Tous droits réservés.

Macurco est une marque de commerce d'Aerionics, Inc.





Macurco™ CM-6, CM-12

Detector, controlador y transductor de monóxido de carbono

Instrucciones para el usuario



IMPORTANTE: Conserve estas instrucciones de usuario como referencia.

Tabla de Contenidos

- 1Información general sobre seguridad
 - 74
 - 7
 - 1.1Descripción general
 - 74
 - 7
 - 1.2Lista de advertencias y precauciones.....
 - 74
 - 7
- 2Utilizar instrucciones y limitaciones
 - 85
 - 8
 - 2.1Utilizar para
 - 85
 - 8
 - 2.2 NO usar para
 - 85
 - 8
 - 2.3Características.....
 - 106
 - 10
 - 2.4Especificaciones.....
 - 106
 - 10
 - 2.4.16-Series De Baja Tensión.....
 - 106.....
 - 10
 - Voltaje de línea
 - 106.....
 - 10 de la serie 2.4.212
- 3Instrucciones de instalación
 - 127
 - 12
 - 3.1Localización.....
 - 127
 - 12
 - 3.2Instalación
 - 127
 - 12
 - 3.2.16-Series De Baja Tensión.....
 - 127.....
 - 12
 - Voltaje de línea 12 de la serie.....
 - 173.2.212
 - 17

3.3 Conexión terminal
 2216.....
 22
3.3.16-Series De Baja Tensión.....
 2216.....
 22
Voltaje de línea
 2317.....
 23 de la serie 3.3.212
4 Operaciones.....
 2318.....
 23
4.1 Potenciar para arriba
 2318.....
 23
4.2 Mostrado "Encendido"
 2418.....
 24
4.3 Mostrado "Desactivado"
 2418.....
 24
4.44-20 mA Lazo.....
 2418.....
 24
4.5 Default – Configuración de fábrica
 2620.....
 26
4.5.1 Seleccionar la configuración predeterminada – "dEF"
 2720.....
 27
4.5.2 Ajuste de prueba de potencia – "PUt"
 2721.....
 27
4.5.3 Configuración de visualización – "dSP"
 2721.....
 27
4.5.4 Ajuste de Buzzer – "bUZ"
 2721.....
 27
4.5.5 En la configuración del relé alarm – "ArS"
 2721.....
 27
4.5.6 Adadía del relé de alarm – "Arc".....
 2821.....
 28
4.5.7 Ensación del relé de ánveno de ánfase – "frs"
 2821.....
 28

- 4.5.8 Ajuste de retardo del relé de ánveno de ánbanos – "Frd"
 - 2822.....
 - 28
- 4.5.9 Configuración mínima de tiempo de ejecución de retransmisión de fan – "Frr"
 - 2822.....
 - 28
- 4.5.10Enlación de enganche del relé de ánvene de ánbalo de.....
 - 2822.....
 - 28
- 4.5.11 Configuración del ventilador detrouble – "tFS"
 - 2822.....
 - 28
- 4.5.124-20mA Configuración de salida – "420"
 - 2922.....
 - 29
- 4.5.13Estes del período de calibración – "CAL"
 - 2922.....
 - 29
- 5Teoting
 - 2923.....
 - 29
- 5.1 Diagnósticos en placa.....
 - 2923.....
 - 29
- 5.1.14-20mA solución de problemas
 - 2923.....
 - 29
- 5.1.2 Códigos de error "t"
 - 2923.....
 - 29
- 5.2Envenenamientos
 - 31sensores 24.....
 - 31
- 5.3 Señal final de vida
 - 31útil 24.....
 - 31
- 6Mantenimiento
 - 3124.....
 - 31
- 6.1Serialización de la vida
 - 32útil 24.....
 - 32
- 6.2Limpieza
 - 3225.....
 - 32
- 7Prueba.....
 - 3225.....
 - 32

- 7.1 Prueba
 - 3325.....
 - 33
 - 7.1.1 Proba de
 - 33 funcionamiento 25
 - 33
 - 7.1.2 Probación de funcionamiento manual
 - 3326.....
 - 33
- 7.2 Kits de calibración y prueba
 - 3526.....
 - 35
- 7.3 Pruebas de
 - 36 gas 27
 - 36
 - 7.3.1 Prueba del relé del ventilador
 - 3627.....
 - 36
 - 7.3.2 Prueba del relé de alarma.....
 - 3628.....
 - 36
 - 7.3.3 Prueba del bucle 4-20mA.....
 - 3728.....
 - 37
 - 7.3.4 Ensay de monóxido de carbono de Aerosol.....
 - 3728.....
 - 37
- 7.4 Ebadado de calibración de
 - 38 campo 29
 - 38
- 8 Appendix A – Tabla de Imágenes
 - 3930.....
 - 39
- 9 Aprobación B – Estructura de menú.....
 - 4031.....
 - 40
 - 9.1 Menú principal
 - 4031.....
 - 40
 - 9.2 Menú de prueba automático "bUZ"
 - 4132.....
 - 41
 - 9.3 Seleccione menú De prueba "tst"
 - 4839.....
 - 48
 - 9.4 Menú de calibración "CAL"
 - 4940.....
 - 49

9.5Menú de restablecimiento de sensor "SEn"
 5041.....
 50

11Macurco Gas Detection Product garantía limitada.....
 5142.....
 51

Información de contacto de soporte técnico..... 5142
..... 51

Información general de contacto 5142
..... 51

1 Información general de seguridad

Las siguientes instrucciones están destinadas a servir como guía para el uso del detector de monóxido de carbono MacurcoCM-6 y CM-12. Este manual se referirá a estos dispositivos como CM-xx a menos que el contenido sea específico de un modelo. Este manual no debe considerarse todo incluido, ni pretende reemplazar la política y los procedimientos de su instalación. Si tiene alguna duda sobre la aplicabilidad del equipo a su situación, consulte a un higienista industrial o llame al Soporte Técnico al 1-844-325-3050.

1.1 Descripción general

El Macurco CM-xx es un detector, controlador y transductor de monóxido de carbono (CO) de doble relé. Disponible tanto en una opción de baja tensión (CM-6) como de tensión de línea (CM-12). El CM-xx tiene opciones seleccionables de salida de 4-20 mA, zumbador y pantalla digital. Es un sistema de detección electrónica utilizado para medir la concentración de monóxido de carbono y proporcionar retroalimentación y control automático del ventilador de escape para ayudar a reducir las concentraciones de CO en estacionamientos, instalaciones de mantenimiento u otras aplicaciones comerciales. El CM-xx es un medidor de bajo nivel capaz de mostrar en el rango de 0-200 ppm (partes por millón) de monóxido de carbono. El CM-xx está calibrado en fábrica y 100% probado para un funcionamiento adecuado, pero también se puede calibrar en el campo.

1.2 Lista de advertencias y precauciones

 advertencia
Cada persona que utilice este equipo debe leer y entender la información de este manual de usuario antes de su uso. El uso de este equipo por personas no capacitadas o no calificadas o el uso que no está de acuerdo con este manual de usuario, puede afectar negativamente el rendimiento del producto.
Utilícese únicamente para monitorizar el gas que el sensor y el monitor están diseñados para detectar. De lo contrario, puede resultar en exposiciones a gases no detectables y causar lesiones graves o la muerte. Para un uso adecuado, consulte el manual del supervisor o del usuario, o comuníquese con soporte técnico al 1-844-325-3050.
Es posible que este equipo no funcione eficazmente por debajo de 0 °F o por encima de 125 °F (-18 °C o por encima de 52 °C). El uso del detector fuera de este rango de temperatura puede afectar negativamente el rendimiento del producto.
Este detector ayuda a monitorear la presencia y el nivel de concentración de un determinado gas en el aire especificado. El mal uso puede producir una lectura inexacta, lo que significa que los niveles más altos del gas que se está monitoreando pueden estar presentes y podrían resultar en una sobreexposición y causar lesiones graves o la muerte. Para un uso adecuado, consulte el supervisor o el Manual del usuario, o comuníquese con soporte técnico al 1-844-325-3050.
Los terminales de alta tensión (120/240 VCA) se encuentran dentro de este detector, lo que representa un peligro para los técnicos de servicio. Sólo los técnicos cualificados deben abrir la caja del detector y dar servicio a los circuitos internos. Asegúrese de que la energía se desenergice de los relés del detector antes de dar servicio a la unidad. Si no lo hace, puede resultar en una descarga eléctrica.
No desensamblar la unidad ni intentar reparar o modificar ningún componente de este instrumento. Este instrumento no contiene piezas reparables por el usuario, y la sustitución de componentes puede afectar el rendimiento del producto.
El uso de un gas certificado con una concentración distinta de la indicada para este detector al realizar una prueba de calibración o verificación de calibración (prueba de protuberancia) producirá lecturas inexactas. Esto significa que los niveles más altos del gas que se está monitoreando pueden estar presentes y podrían resultar en una sobreexposición. Para un uso adecuado, consulte el supervisor o el Manual del usuario, o comuníquese con soporte técnico al 1-844-325-3050.

Se deben realizar los siguientes pasos al realizar una prueba de calibración o verificación de calibración (prueba de protuberancia) para garantizar el correcto rendimiento del monitor. No hacerlo puede afectar negativamente al rendimiento del producto.

- Al realizar una prueba de calibración o verificación de calibración (prueba de protuberancia), utilice únicamente gas de calibración certificado al nivel de concentración requerido.
- No pruebe con gas de calibración caducado.
- No cubra ni obstruya la pantalla ni la cubierta de alarma visual.
- Asegúrese de que las entradas del sensor no estén obstruidas y libres de desechos

El incumplimiento de las instrucciones descritas en este manual de usuario puede resultar en enfermedad o muerte.

2 Instrucciones de uso y limitaciones

advertencia

Cada persona que utilice este equipo debe leer y entender la información de este manual de usuario antes de su uso. El uso de este equipo por personas no capacitadas o no calificadas o el uso que no está de acuerdo con este manual de usuario, puede afectar negativamente el rendimiento del producto.

2.1 Uso para

El CM-xx proporciona detección de CO y control automático del ventilador de escape para instalaciones de mantenimiento de automóviles, garajes de estacionamiento cerrados, cuartos de servicio, almacenes y otras aplicaciones comerciales. El CM-xx cumple con los requisitos del Código uniforme de construcción para garajes cerrados y cumple con los estándares de OSHA para la exposición al CO. CM-xxse puede utilizar de forma independiente, con el Panel de Control de Detección y Ventilación Macurco DVP-120, otros paneles de fuego/seguridad de 12 VCA o 24 VCC o sistemas de automatización de edificios.

advertencia

Utilícese únicamente para monitorizar el gas que el sensor y el monitor están diseñados para detectar. De lo no hacerlo, puede resultar en exposiciones a gases no detectables y causar lesiones graves o la muerte. Para un uso adecuado, consulte el manual del supervisor o del usuario, o comuníquese con soporte técnico al 1-844-325-3050.

2.2 NO utilizar para

El CM-xx no está diseñado para su uso en lugares peligrosos o aplicaciones industriales como refinerías, plantas químicas, etc. No monte el CM-xx cuando la temperatura ambiente normal esté por debajo de 0°F o supere los 125°F (-18°C o por encima de 52°C). El CM-xxse monta en una caja eléctrica tipo 4S suministrada por el contratista. No instale el CM-xx dentro de otra caja a menos que tenga un buen flujo de aire a través de ella.

advertencia

Es posible que este equipo no funcione eficazmente por debajo de 0°F o por encima de 125°F (-18°C o por encima de 52°C). El uso del detector fuera de este rango de temperatura puede afectar negativamente el rendimiento del producto.

2.3 Funciones

- ETL LISTED Certificado a CSA C22.2 No 61010-1, Se Ajusta a UL Std. 61010-1, UL Std. 2075¹
- Medidor de bajo nivel capaz de mostrar de 0 a 200 ppm de CO
- El CM-xx cumple con el Código uniforme de construcción para garajes cerrados y cumple con los estándares de OSHA para la exposición al CO
- Activación seleccionable del ventilador y del relé de alarma
- 5 Un relé de ventilador SPDT controla los arrancadores de los ventiladores de escape
- 0,5 Un relé de alarma N.O. o N.C. se conecta a dispositivos de advertencia o paneles de control
- Bucle de corriente de 4-20 mA
- CM-xx se monta en una caja eléctrica estándar 4x4 y se convierte en la cubierta de la caja
- Sistema supervisado: cualquier problema interno del detector hará que el ventilador y el relé de alarma se activen
- El kit de calibración está disponible. Un tornillo permite el acceso para calibración o prueba de gas

¹Cuando lo requieran las regulaciones federales, estatales, locales o la Autoridad que tiene jurisdicción, CM-6 y CM-12 deben usarse con el modelo 78-2900-0211-X* de 85dB (A) para cumplir con los requisitos de audibilidad de 85dB (A) de las Normas UL 2075.

*Donde "X" representa el color de la cubierta de la lente, R para la cubierta de la lente roja, G para la cubierta de la lente verde, B para la cubierta azul de la lente, O para la cubierta de la lente ámbar, C para la cubierta clara de la lente.

2.4 características técnicas

- Peso del envío: 1 libra (0,45 kg)
- Medidas: 4 1/2 x 4 x 2 1/8 in. (11.4 X 11.4 X 5.3 cm)
- Color: Blanco o Gris oscuro
- Conexiones: enchufes/terminales
- Caja de montaje: (no incluida) 4x4 eléctrica
- Relé del ventilador: 5 A, 240 VCA, servicio de piloto, SPDT, enganche o sin enganche
- Accionamiento del relé del ventilador: seleccionable en dis (desactivar), 15 ppm, 25 ppm, 35 ppm (predeterminado), 50 ppm o 100 ppm CO
- Ajustes de retardo del ventilador de 0, 1, 3 (predeterminado), 5 y 10 minutos
- La configuración mínima de tiempo de ejecución de retransmisión de ventilador es 0 (predeterminada), 3, 5, 10 o 15 minutos
- Se puede seleccionar el enganche o no enganche del relé del ventilador (predeterminado)
- Relé de alarma: 0.5A 120 V, 60 VA
- Accionamiento del relé de alarma: N.O. seleccionable (por defecto) o N.C.
- Configuración del relé de alarma: dis, 50 ppm, 100 ppm, 150 ppm y 200 ppm (predeterminado)
- Bucle de corriente, 4-20 mA para 0-200 ppm de CO, seleccionable a 'bAS'(predeterminado), 'EnH', OFF
- Configuración del período de calibración: dis(predeterminado), 3, 6, 12 y 24 (meses)
- Zumbador: 85 dBA a 10cm configurables para desactivar (predeterminado) o encendido
- Pantalla digital: LED de 3 dígitos seleccionable para apagar (predeterminado) o encendido.
- Entorno operativo: 0 ° F a 125 ° F (-18°C a 52°C), 10 a 90% RH sin condensación

2.4.1 Serie 6 de baja tensión

- Potencia: 3 W (máx.) de 12 a 24 VCA o de 12 a 32 VCC
- Corriente @ 24 VCC: 75 mA en alarma (dos relés), 50 mA (solo relé de ventilador) y 23 mA en espera

2.4.2 Voltaje de línea de la serie 12

- Potencia: 100-240VAC (50 A 60 Hz)
- Actual: 1.0 A MAX

3 Instrucciones de instalación

advertencia

Este detector ayuda a monitorear la presencia y el nivel de concentración de un determinado gas en el aire especificado. El mal uso puede producir una lectura inexacta, lo que significa que los niveles más altos del gas que se está monitoreando pueden estar presentes y podrían resultar en una sobreexposición y causar lesiones graves o la muerte. Para un uso adecuado, consulte el supervisor o el Manual del usuario, o comuníquese con soporte técnico al 1-844-325-3050.

3.1 ubicación

Un CM-xx se monta normalmente a nivel de respiración, a unos 5 pies (1,5 metros) por encima del suelo en una pared o columna en un área central donde el movimiento del aire es generalmente bueno. La unidad, en promedio, puede cubrir aproximadamente 5,000 pies cuadrados (465 metros cuadrados) a 7,500 pies cuadrados (697 metros cuadrados). La cobertura depende del movimiento del aire dentro de la habitación o instalación. Es posible que se necesiten detectores adicionales cerca de cualquier área donde la gente trabaje o donde el aire esté estancado. Algunos de los factores que afectan el área de cobertura son el tipo de aplicación, las áreas de trabajo y el movimiento del personal, el tamaño de la habitación, el movimiento del aire, la amenaza potencial, la ubicación de montaje, junto con otros factores específicos del sitio que deben considerarse. Por favor, compruebe las regulaciones o requisitos locales antes de la instalación. El CM-xx se monta en una caja eléctrica 4x4 suministrada por el contratista. No instale el CM-xx dentro de otra caja a menos que tenga un buen flujo de aire a través de ella. NO monte el CM-xx donde la temperatura ambiente normal esté por debajo de 0 °F o exceda los 125 °F (por debajo de -18 °C o por encima de 52 °C).

advertencia

Los terminales de alta tensión (120/240 VCA) se encuentran dentro de este detector (CM-12), presentando un peligro para los técnicos de servicio. Sólo los técnicos cualificados deben abrir la caja del detector y dar servicio a los circuitos internos. Asegúrese de que la energía se desenergice de los relés del detector antes de dar servicio a la unidad. Si no lo hace, puede resultar en una descarga eléctrica.

3.2 instalación

3.2.1 Serie 6 de baja tensión

1. El CM-6 se monta en una caja eléctrica cuadrada de 4" (o 4x4) suministrada por el contratista. No monte el CM-6 dentro de otra caja, a menos que tenga un buen flujo de aire a través de él.
2. Conecte el CM-6 a la fuente de alimentación de la clase 2 solamente. Se sugiere utilizar un transformador separado para alimentar la unidad o unidades debido a posibles interferencias de otros dispositivos en la misma fuente de alimentación.
3. Conecte el CM-6 a los cables de control con enchufes de terminal. Al realizar conexiones, asegúrese de que la alimentación esté apagada.
4. Hay dos terminales para alimentación: 12 a 24 VCA o 12 a 32 VCC, sin preferencia de polaridad.
5. Hay dos terminales para los contactos del relé de alarma seca, de nuevo sin preferencia de polaridad. El relé de alarma puede conmutar hasta 0,5 A 120 V o 60 VA. El relé de alarma se activa si el gas alcanza o supera la configuración de alarma. Consulte la sección [4.5 Predeterminado – Configuración](#) de fábrica de este manual de usuario para obtener más información sobre la configuración del relé.

6. El relé de alarma se puede configurar para que normalmente se abra (predeterminado) (N.O.) o normalmente se cierre (N.C.) y se activará si la concentración de gas excede el punto de ajuste de la alarma. Se desactivará una vez que la concentración de gas caiga por debajo del punto de ajuste de alarma. Tenga en cuenta que la configuración de "deshabilitar" hará que el relé de alarma no se enganche en absoluto.
7. El relé de ventilador SPDT de contacto seco tiene tres terminales. El contacto común (COM.), normalmente abierto (N.O.) y el contacto normalmente cerrado (N.C.). El relé del ventilador puede conmutar hasta 5,0 A hasta 240 VCA. Consulte la sección [4.5 Predeterminado – Configuración](#) de fábrica de este manual de usuario para obtener más información sobre la configuración del relé.
8. El relé del ventilador se puede configurar para el enganche o el no enganche (valor predeterminado) cuando se activa (cuando la concentración de gas supera el punto de ajuste del relé del ventilador). Una vez enganchado, la alimentación tendrá que ser interrumpida o el botón "PRUEBA" presionado para desenganchar la condición del relé.
9. El relé del ventilador se activará si se excede la concentración de monóxido de carbono de ajuste del ventilador durante más tiempo que el tiempo de retardo del relé del ventilador. A menos que esté configurado para el enganche, el relé del ventilador se desconectará una vez que se hayan cumplido ambas condiciones:
 - La concentración de monóxido de carbono ha caído por debajo de la configuración del ventilador
 - Se ha superado el tiempo de ejecución del relé del ventiladorTenga en cuenta que la configuración de "desactivar" del ventilador hará que el relé del ventilador no se enganche. El relé del ventilador entrará en la condición de falla de problema (si la Opción de configuración de ventilador de problemas está establecida en "ON") y se desconectará una vez que se borre la condición de falla de problema.
10. El bucle de corriente es de 4 mA en aire limpio y 4-20 mA para 0-200ppm CO

NOTA: Se utilizará un cable de 22 a 12 GTE. El alambre utilizado debe cumplir con el rango de temperatura del detector, es decir, de 0 ° F a 125 ° F (-18°C a 52°C).

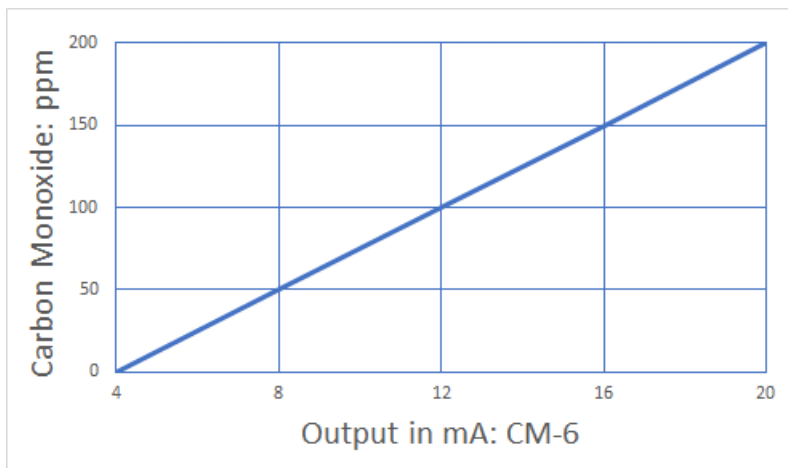


Figura 3-1 Diagrama de salida de 6 series 4-20 mA

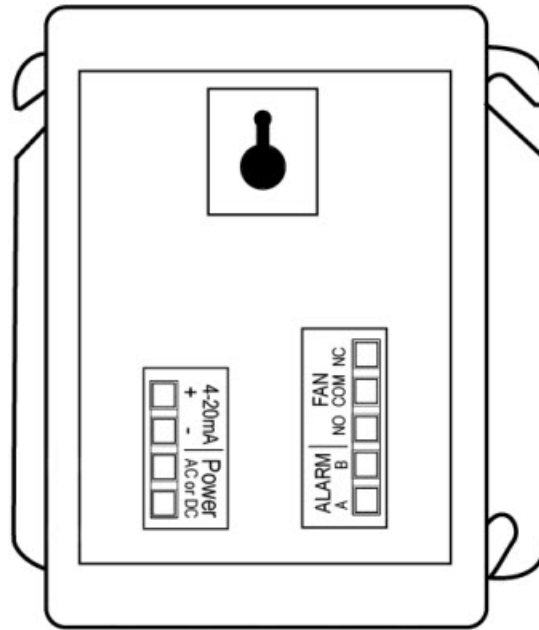


Figura 3-2 Vista trasera de la serie 6

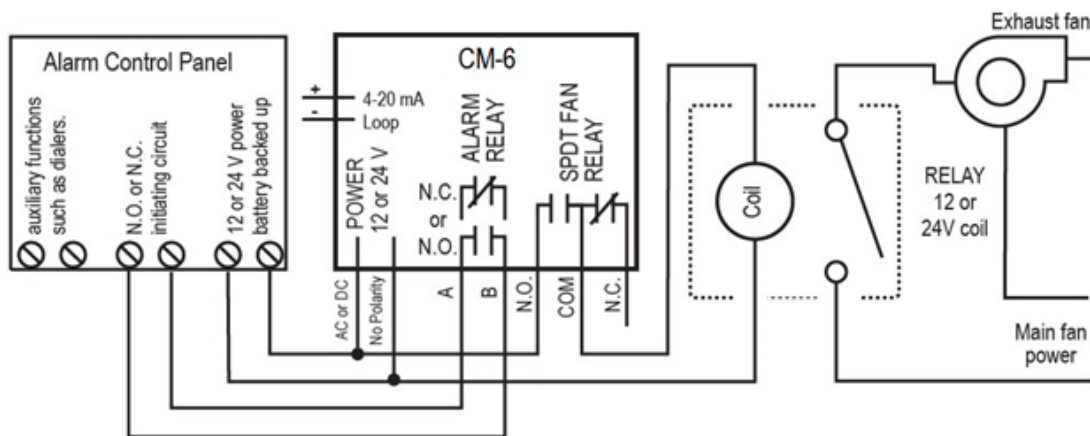


Figura 3-3 Diagrama del Panel de control de alarma de la serie 6

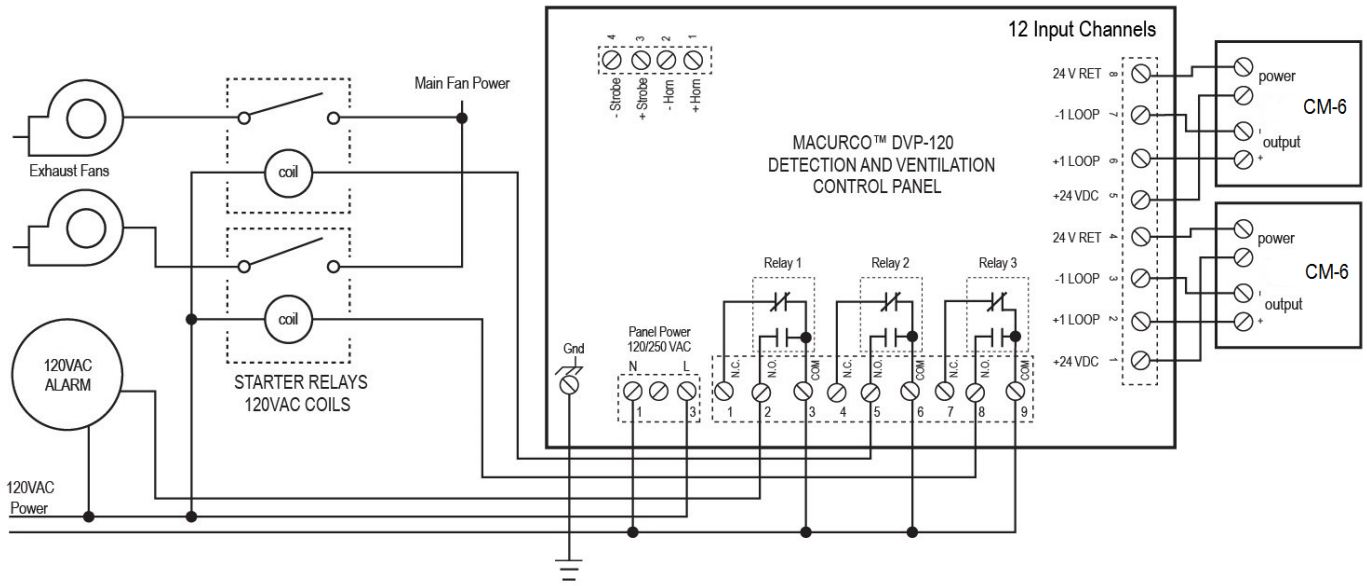


Figura 3-4 Diagrama del Panel de control de la serie 6 DVP-120

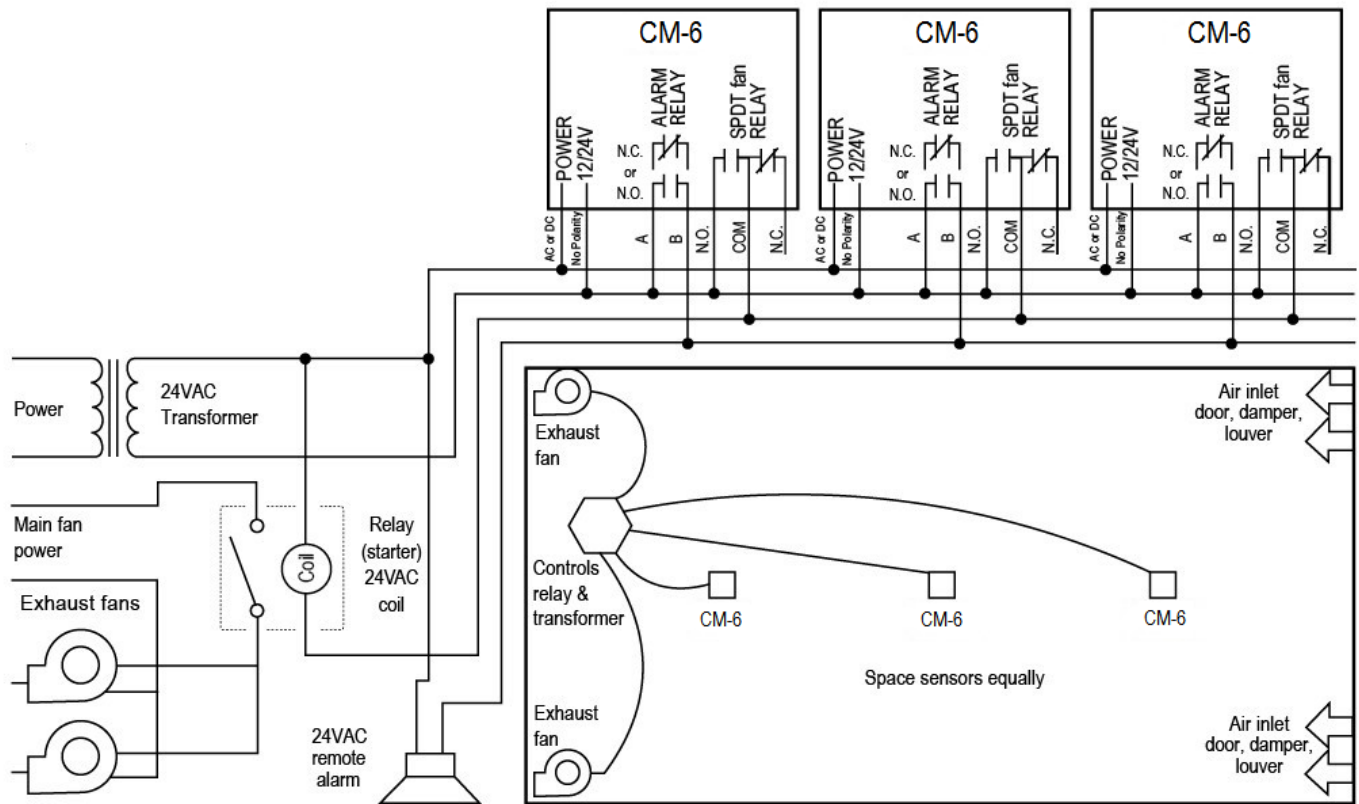


Figura 3-5 IAGRAMA de múltiples dispositivos d dela serie6

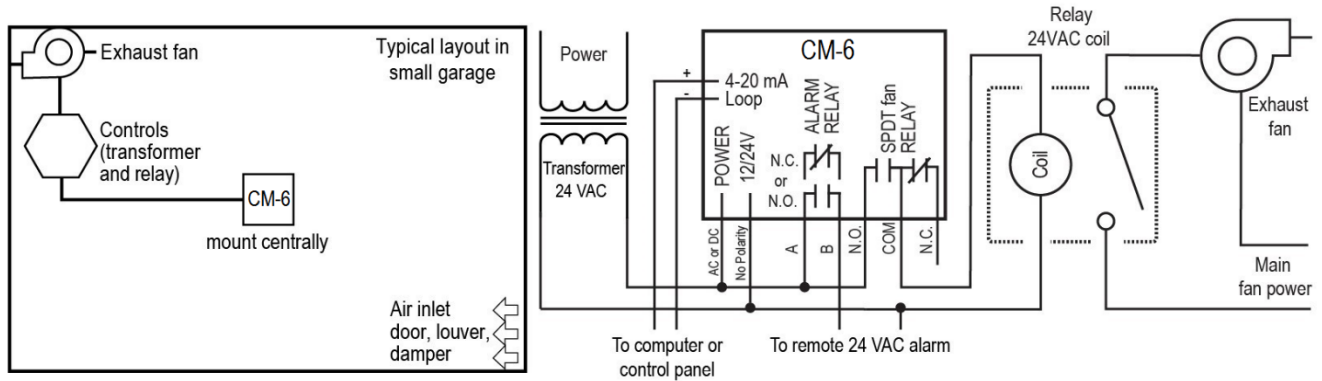


Figura 3-6 Diagrama independiente de 6 series

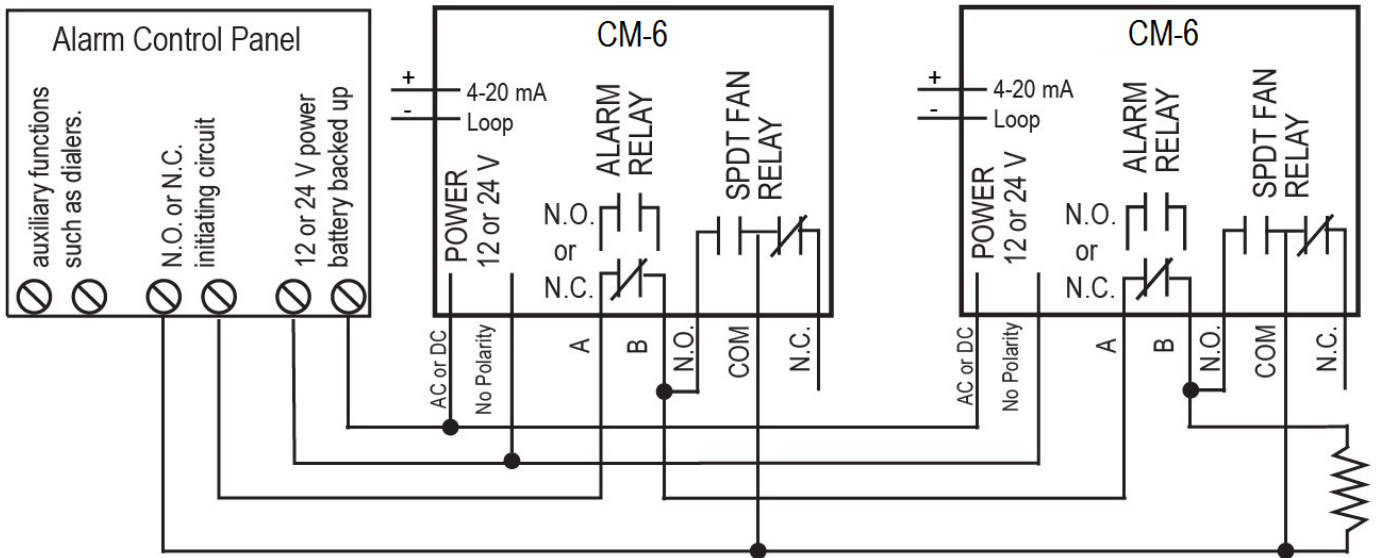


Figura 3-7 Panel de alarma alternativo de la serie 6

En esta aplicación (arriba) el ventilador o el relé primario se utiliza como un relé de alarma de bajo nivel. La alarma o el relé secundario se utiliza como relé de supervisión cuando se utiliza en la configuración normalmente cerrada. El CM-6 supervisa todas las funciones críticas de la unidad a través de diagnósticos de software que prueban y verifican continuamente sus operaciones. Si se encuentra un problema, la unidad cambiará a un modo a prueba de fallos/error o condición de problema. En

este modo de error, se activarán los relés Fan* y Alarm indicando la condición de problema en el panel y la pantalla CM-6 parpadeará el error. *Consulte la sección [4.5.11 Configuración del ventilador de problemas – "tFS"](#) para la opciones.

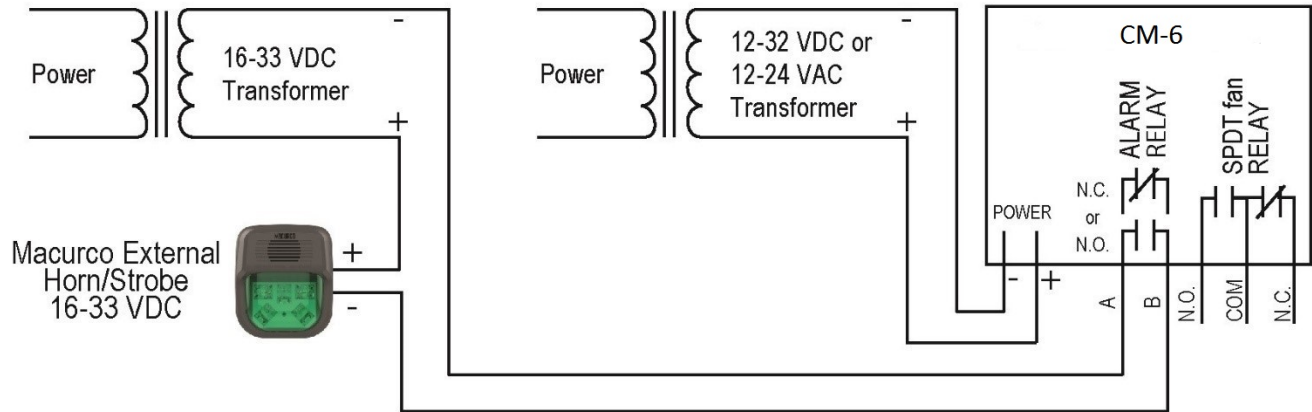


Figura 3-8 6-Series Horn & Strobe Combo Cableado

El número de modelo de Macurco External Horn/Strobe es 78-2900-0211-X, donde X representa el color de la lente, R para la cubierta de la lente roja, G para la cubierta de la lente verde, B para la cubierta de la lente azul, O para la cubierta de la lente ámbar, C para la cubierta clara de la lente. La presión de sonido para el modelo Horn / Strobe es de al menos 85dB a 10 pies.

NOTA: La instalación final del sistema CM-xx, incluido el cableado secundario del controlador a los sensores, deberá cumplir con los requisitos de "Clase 1" en los canales o conductos aprobados.

3.2.2 Voltaje de línea de la serie 12

1. El CM-12 se monta en una caja eléctrica cuadrada de 4" (o 4x4) suministrada por el contratista. No monte el CM-12 dentro de otra caja, a menos que tenga un buen flujo de aire a través de él.
2. Hay dos terminales para los contactos del relé de alarma seca, de nuevo sin preferencia de polaridad. El relé de alarma puede conmutar hasta 0,5 A 120 V o 60 VA. El relé de alarma se activa si el gas alcanza o supera la configuración de alarma. Consulte la sección [4.5 Predeterminado – Configuración](#) de fábrica de este manual de usuario para obtener más información sobre la configuración del relé.
3. El relé de alarma se puede configurar para que normalmente se abra (predeterminado) (N.O.) o normalmente se cierre (N.C.) y se activará si la concentración de gas excede el punto de ajuste de la alarma. Se desactivará una vez que la concentración de gas caiga por debajo del punto de ajuste de alarma. Tenga en cuenta que la configuración de "deshabilitar" hará que el relé de alarma no se enganche en absoluto.
4. El relé de ventilador SPDT de contacto seco tiene tres terminales. El contacto común (COM.), normalmente abierto (N.O.) y el contacto normalmente cerrado (N.C.). El relé del ventilador puede conmutar hasta 5,0 A hasta 240 VCA. Consulte la sección [4.5 Predeterminado – Configuración](#) de fábrica de este manual de usuario para obtener más información sobre la configuración del relé.
5. El relé del ventilador se puede configurar para el enganche o el no enganche (valor predeterminado) cuando se activa (cuando la concentración de gas supera el punto de ajuste del relé del ventilador). Una vez enganchado, la alimentación tendrá que ser interrumpida o el botón "PRUEBA" presionado para desenganchar la condición del relé.

6. El relé del ventilador se activará si se excede la concentración de monóxido de carbono de ajuste del ventilador durante más tiempo que el tiempo de retardo del relé del ventilador. A menos que esté configurado para el enganche, el relé del ventilador se desconectará una vez que se hayan cumplido ambas condiciones:
 - La concentración de monóxido de carbono ha caído por debajo de la configuración del ventilador
 - Se ha superado el tiempo de ejecución del relé del ventilador

Tenga en cuenta que la configuración de "desactivar" del ventilador hará que el relé del ventilador no se enganche. El relé del ventilador entrará en la condición de falla de problema (si la Opción de configuración de ventilador de problemas está establecida en "ON") y se desconectará una vez que se borre la condición de falla de problema.

7. El bucle de corriente es de 4 mA en aire limpio y 4-20 mA para 0-200ppm de CO.

NOTA: Se utilizará un cable de 22 a 12 GTE. El alambre utilizado debe cumplir con el rango de temperatura del detector, es decir, de 0 ° F a 125 ° F (-18°C a 52°C).

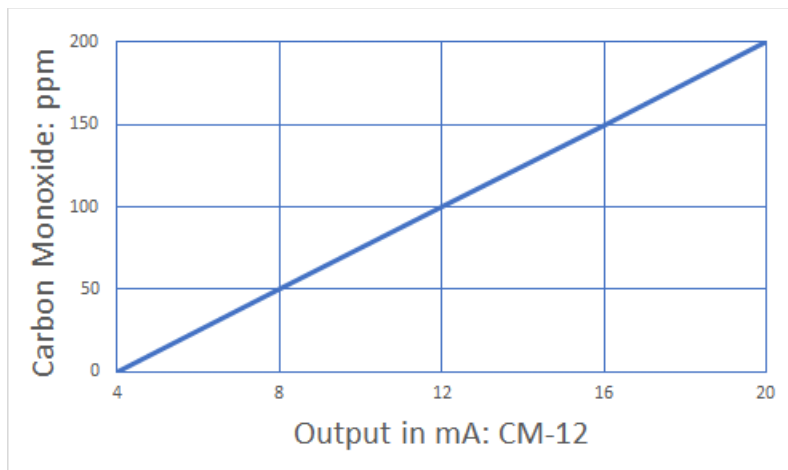


Figura 3-9 Diagrama de salida de la serie 12 4-20 mA

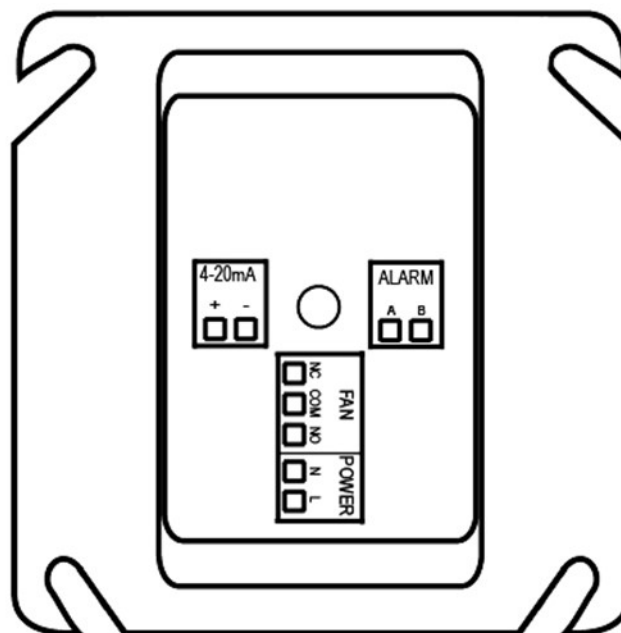


Figura 3-10 Vista trasera de la serie 12

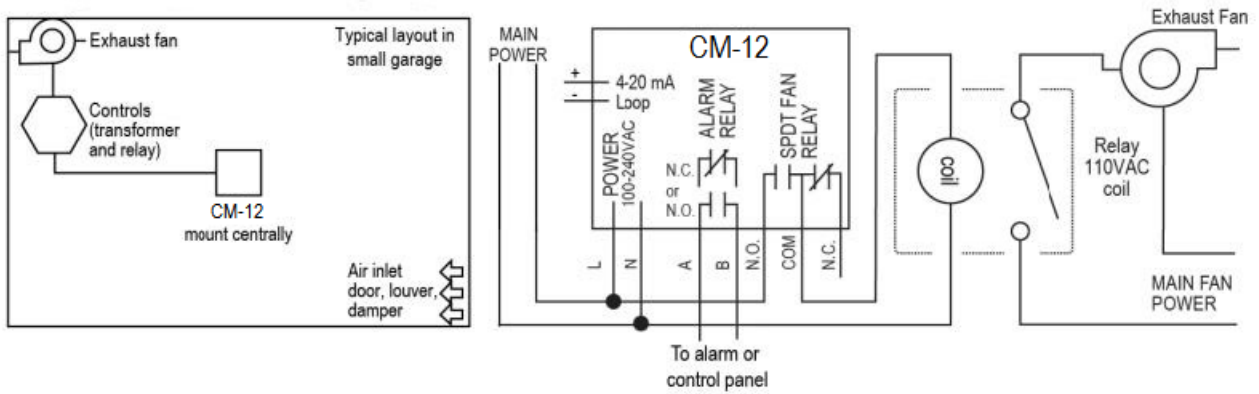


Figura 3-11 Diagrama independiente de la serie 12

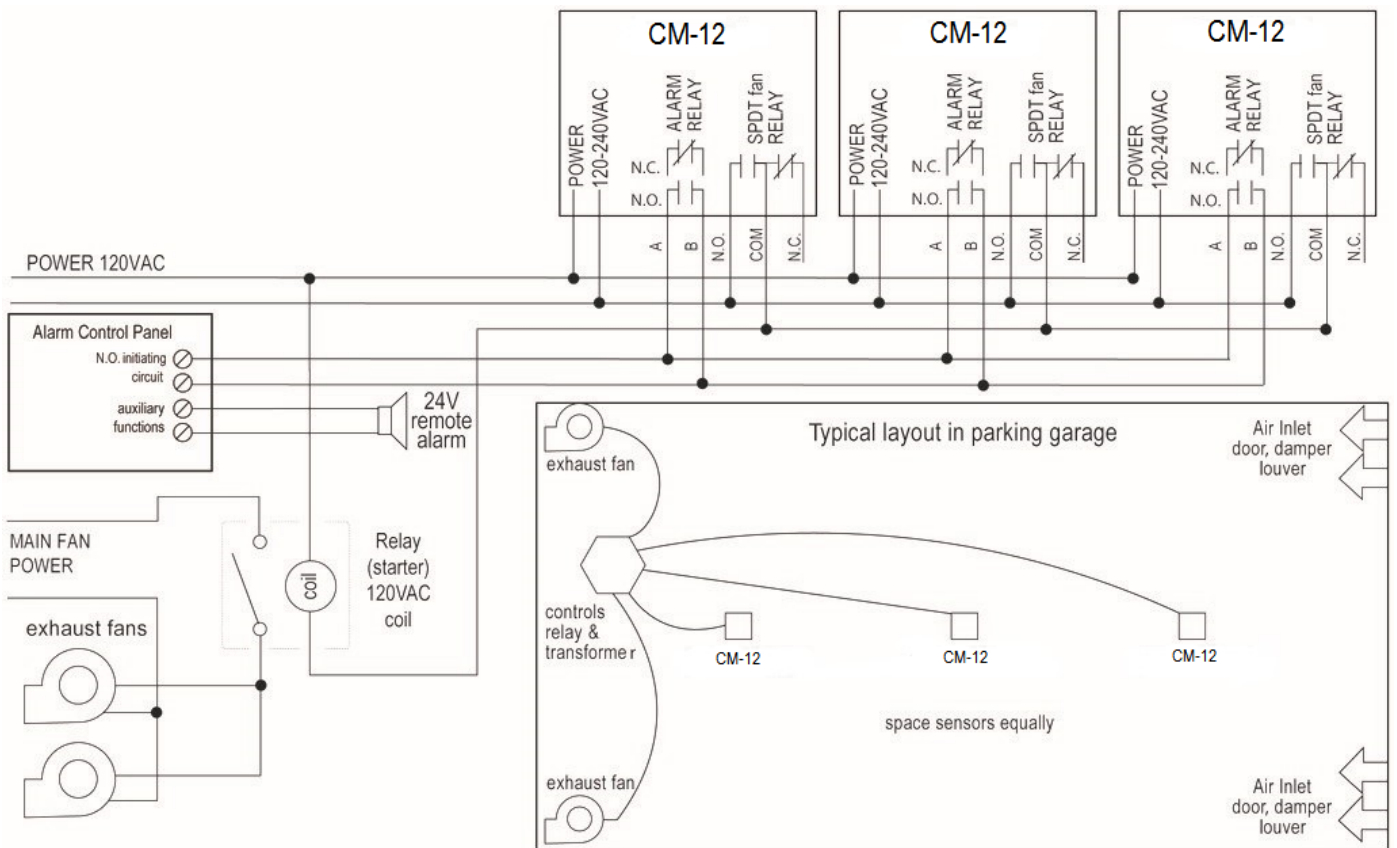


Figura 3-12 Diagrama de múltiples dispositivos de la serie 12

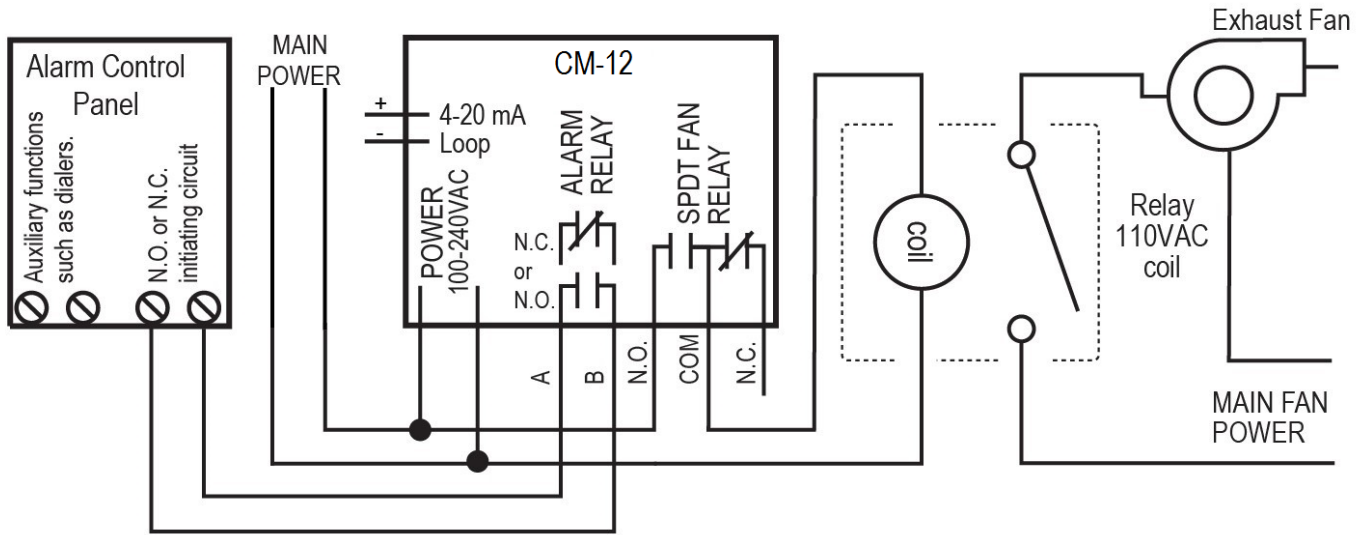


Figura 3-13 Diagrama del panel de control de alarma de la serie 12

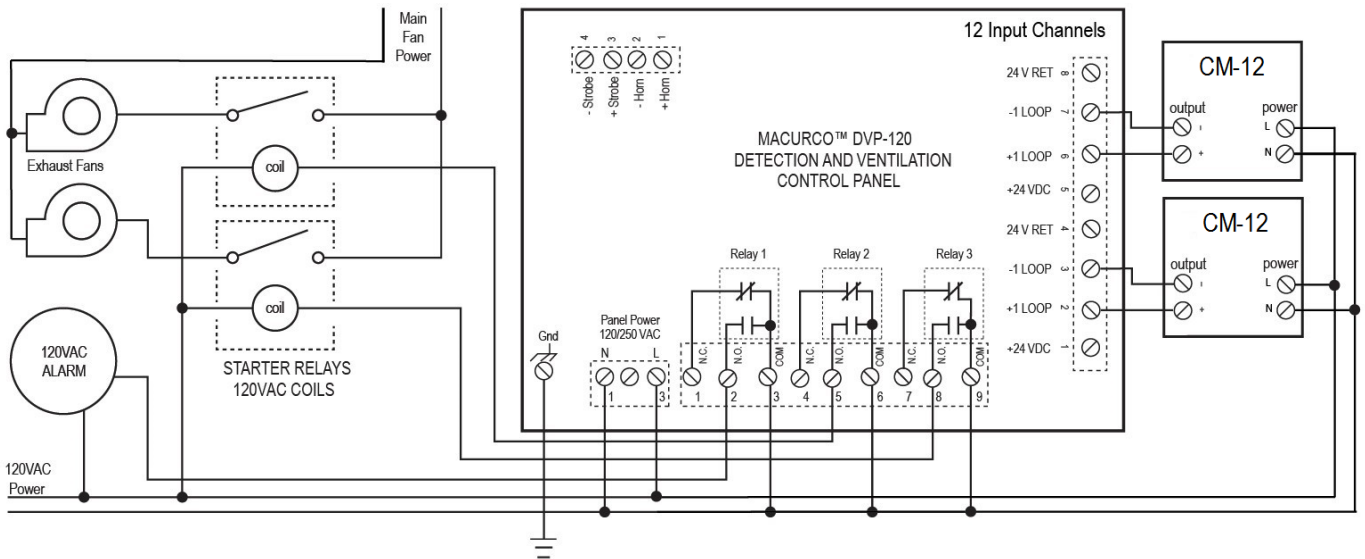


Figura 3-14 Diagrama del panel de control de la serie 12 DVP-120

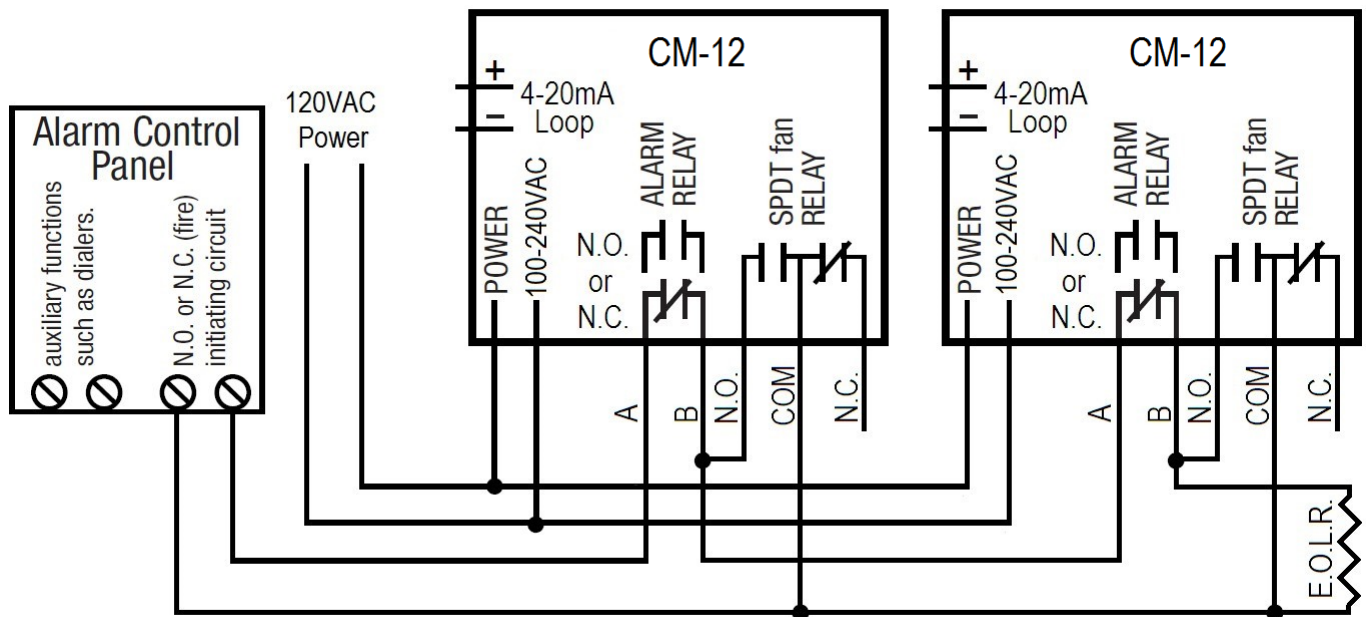


Figura 3-15 Panel de alarma alternativo de la serie 12

En esta aplicación (arriba) el ventilador o el relé primario se utiliza como un relé de alarma de bajo nivel. La alarma o el relé secundario se utiliza como relé de supervisión cuando se utiliza en la configuración normalmente cerrada. El CM-12 supervisa todas las funciones críticas de la unidad a través de diagnósticos de software que prueban y verifican continuamente sus operaciones. Si se encuentra un problema, la unidad cambiará a un modo a prueba de fallos/error o condición de problema. En este modo de error, se activarán los relés Fan* y Alarm indicando la condición de problema en el panel y la pantalla CM-12 parpadeará el error. Consulte la sección [4.5.11 Configuración del ventilador de problemas – "tFS"](#) para la opciones.

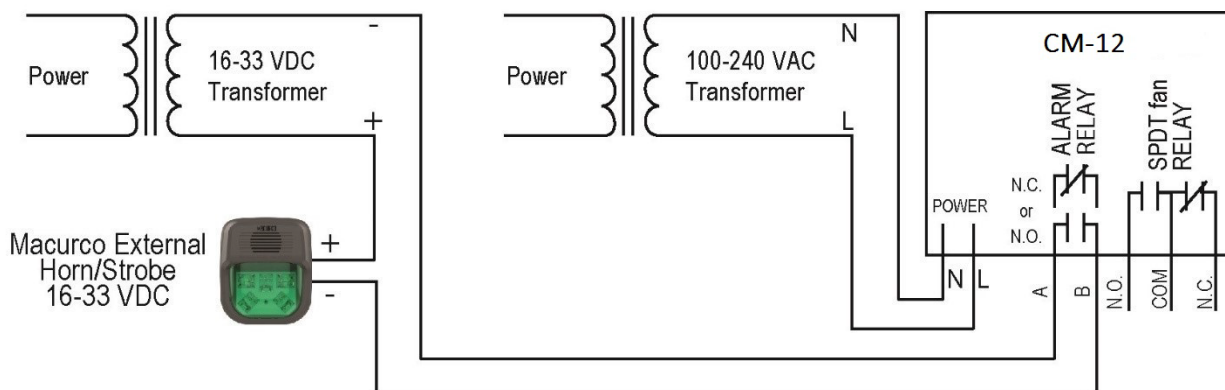


Figura 3-16 12-Series Horn & Strobe Combo Cableado

El número de modelo de Macurco External Horn/Strobe es 78-2900-0211-X, donde X representa el color de la lente, R para la cubierta de la lente roja, G para la cubierta de la lente verde, B para la cubierta de la lente azul, O para la cubierta de la lente ámbar, C para la cubierta clara de la lente. La presión de sonido para el modelo Horn / Strobe es de al menos 85dB a 10 pies.

NOTA: La instalación final del sistema CM-xx, incluido el cableado secundario del controlador a los sensores, deberá cumplir con los requisitos de "Clase 1" en los canales o conductos aprobados.

3.3 Conexión de terminal

3.3.1 Serie 6 de baja tensión

Con la excepción de la tierra de seguridad, todo el cableado de campo se completa a través de conectores modulares (proporcionados). Después del cableado, simplemente conecte los conectores modulares a los conectores correspondientes en la parte posterior del detector.

NOTA: Se utilizará un cable de 22 a 12 GTE. El alambre utilizado debe cumplir con el rango de temperatura del detector, es decir, de 0 ° F a 125 ° F (-18°C a 52°C).

3.3.1.1 Conexión de alimentación de la red eléctrica

Conecte el CM-6 a la fuente de alimentación de la clase 2 solamente. Se sugiere utilizar un transformador separado para alimentar la unidad o unidades debido a posibles interferencias de otros dispositivos en la misma fuente de alimentación. Conecte el CM-6 a los cables de control con enchufes de terminal. Al realizar conexiones, asegúrese de que la alimentación esté apagada. Hay dos terminales para alimentación: 12 a 24 VCA o 12 a 32 VCC, sin preferencia de polaridad

Asegúrese de que el cable no se pueda extraer fácilmente del conector. Enchufe la conexión modular en la conexión ventilador/alimentación y asegúrese de que se enganche correctamente al cabezal.

3.3.1.2 Conexión de relé de ventilador

Todos los terminales de relé de ventilador SPDT están disponibles en el conector modular ventilador/alimentación. Cada terminal de relé de ventilador normalmente abierto, común y normalmente cerrado (NO, COM y NC) puede acomodar un tamaño de cable de 12 a 22 AWG. Para instalar el cableado de los relés, desconecte el conector del cabezal. Despoje el aislamiento de cada cable hacia atrás aproximadamente 1/4 de pulgada (6,5 mm), inserte el cable desnudo en el terminal y apriete la abrazadera del tornillo. Asegúrese de que el cable no se pueda extraer fácilmente del conector. Enchufe la conexión modular en la conexión ventilador/alimentación y asegúrese de que se enganche correctamente al cabezal.

3.3.1.3 Conexión de retransmisión de alarma

Las conexiones de alarma externas (A y B) están disponibles en el conector modular de alarma. No hay polaridad para estas conexiones. Para instalar el cableado de los contactos de alarma, desconecte el conector del cabezal del detector. Despoje el aislamiento de cada cable hacia atrás aproximadamente 1/4 de pulgada (6,5 mm), inserte el cable desnudo en el terminal y apriete la abrazadera del tornillo. Asegúrese de que el cable no se pueda extraer fácilmente del conector. Cuando los cables están conectados, asiente el conector modular en el cabezal, asegurándose de que el pestillo se enganche

3.3.1.4 Conexión de señal de 4-20 mA

Las conexiones de señal de 4-20mA positivas y negativas (+ y -) están disponibles en el conector modular de 4-20mA, un conector de 2 posiciones. Para instalar el cableado para los contactos de 4-20 mA, desconecte el conector del cabezal del detector. Despoje el aislamiento de cada cable hacia atrás aproximadamente 1/4 de pulgada (6,5 mm), inserte el cable desnudo en el terminal y apriete la abrazadera del tornillo. Asegúrese de que el cable no se pueda extraer fácilmente del conector. Cuando los cables están conectados, asiente el conector modular en el cabezal, asegurándose de que el pestillo se enganche

3.3.2 Voltaje de línea de la serie 12

Con la excepción de la tierra de seguridad, todo el cableado de campo se completa a través de conectores modulares (proporcionados). Después del cableado, simplemente conecte los conectores modulares a los conectores correspondientes en la parte posterior del detector.

NOTA: Se utilizará un cable de 22 a 12 GTE. El alambre utilizado debe cumplir con el rango de temperatura del detector, es decir, de 0 ° F a 125 ° F (-18°C a 52°C).

3.3.2.1 Conexión de alimentación de la red eléctrica

Las conexiones a la red eléctrica deben realizarse de acuerdo con los códigos eléctricos nacionales y locales. Solo el personal calificado debe conectar la alimentación de la red eléctrica a cualquier dispositivo. Macurco recomienda un tamaño mínimo de cable de AWG18 y el aislante de alambre debe estar clasificado para un servicio de 140 ° F (60 ° C). El conector modular aceptará cables de 12 a 22 AWG.

El cable de tierra de seguridad debe estar sujeto al tornillo de tierra de la caja eléctrica metálica. Apriete el tornillo y asegúrese de que el cable esté ajustado. Asegúrese de que el cable no se pueda sacar de debajo del tornillo.

Los cables de línea (L) y neutro (N) deben desmontarse 1/4 de pulgada (6,5 mm), insertar el cable en las posiciones de alambre "L" y "N" del conector modular ventilador/alimentación y apretar la abrazadera del tornillo. Asegúrese de que el cable no se pueda extraer fácilmente del conector. Enchufe la conexión modular en la conexión ventilador/alimentación y asegúrese de que se enganche correctamente al cabezal.

3.3.2.2 Conexión de relé de ventilador

Todos los terminales de relé de ventilador SPDT están disponibles en el conector modular ventilador/alimentación. Cada terminal de relé de ventilador normalmente abierto, común y normalmente cerrado (NO, COM y NC) puede acomodar un tamaño de cable de 12 a 22 AWG. Para instalar el cableado de los relés, desconecte el conector del cabezal. Despoje el aislamiento de cada cable hacia atrás aproximadamente 1/4 de pulgada (6,5 mm), inserte el cable desnudo en el terminal y apriete la abrazadera del tornillo. Asegúrese de que el cable no se pueda extraer fácilmente del conector. Enchufe la conexión modular en la conexión ventilador/alimentación y asegúrese de que se enganche correctamente al cabezal.

3.3.2.3 Conexión de retransmisión de alarma

Las conexiones de alarma externas (A y B) están disponibles en el conector modular de alarma. No hay polaridad para estas conexiones. Para instalar el cableado de los contactos de alarma, desconecte el conector del cabezal del detector. Despoje el aislamiento de cada cable hacia atrás aproximadamente 1/4 de pulgada (6,5 mm), inserte el cable desnudo en el terminal y apriete la abrazadera del tornillo. Asegúrese de que el cable no se pueda extraer fácilmente del conector. Cuando los cables están conectados, asiente el conector modular en el cabezal, asegurándose de que el pestillo se enganche

3.3.2.4 Conexión de señal de 4-20 mA

Las conexiones de señal de 4-20mA positivas y negativas (+ y -) están disponibles en el conector modular de 4-20mA, un conector de 2 posiciones. Para instalar el cableado para los contactos de 4-20 mA, desconecte el conector del cabezal del detector. Despoje el aislamiento de cada cable hacia atrás aproximadamente 1/4 de pulgada (6,5 mm), inserte el cable desnudo en el terminal y apriete la abrazadera del tornillo. Asegúrese de que el cable no se pueda extraer fácilmente del conector. Cuando los cables están conectados, asiente el conector modular en el cabezal, asegurándose de que el pestillo se enganche

4 Operaciones

4.1 prender

El CM-xx recorre un ciclo interno de autodiagnóstica durante el primer minuto en que se alimenta. La unidad ejecutará el ciclo de prueba cada vez que se caiga y se vuelva a aplicar la energía (es decir, apagón). Durante el ciclo de auto-prueba, la unidad mostrará el número de versión del firmware, luego contará hacia abajo de 60 a 0 (si la configuración de la pantalla está

"Encenda") y finalmente entrará en funcionamiento normal. El relé de alarma se activará durante 10 segundos y el relé del ventilador durante 60 segundos durante el ciclo de encendido a menos que la opción "Prueba de encendido" (PUt) esté desactivada. La luz indicadora (LED) parpadeará en verde durante el ciclo de autodiagnóstica. Si la configuración de 4-20mA se establece en "EnH", CM-xx transmitirá información relacionada con el estado del período de calibración a través de una salida de 4-20mA durante el ciclo de encendido. Al final del ciclo de 1 minuto, la unidad tomará su primera muestra del aire y la luz indicadora se volverá verde sólida.

4.2 Pantalla activada

Aire limpio – Con la función de visualización activada, el CM-xx mostrará la concentración actual de CO ppm o "0" (cero) en aire limpio.

Nivel del ventilador : cuando la concentración de CO alcanza el ajuste del relé del ventilador (35 ppm, por ejemplo), la pantalla parpadeará hacia adelante y hacia atrás entre "FAn" y "35" o la concentración actual de gas.

Nivel de alarma : con la función de visualización activada "On" y la concentración de CO alcanzando la configuración del relé de alarma (200 ppm, por ejemplo), la pantalla parpadeará de un lado a otro entre "ALr" y "200" o la concentración actual de gas. El zumbador sonará indicando "Alarma" si el zumbador está encendido.

Problemas : con la función de visualización activada y el dispositivo está en un estado de problemas, la pantalla mostrará el código de error "t" (t01, por ejemplo). Si la configuración del ventilador de problemas está activada, el relé del ventilador conmutará la activación del relé. Ver section [4.5.11 Trouble Fan Setting – "tFS"](#) y section [5.1.2 "t" Códigos de error](#) y

Calibración debida: con la funcionalidad período de calibración habilitada, si un detector está dentro de 1 mes del período de calibración, la pantalla parpadeará de un lado a otro entre "dUE" y la lectura de gas actual. La calibración debida solo se resuelve con una calibración de campo correcta.

4.3 Pantalla desactivada

Aire limpio : con la función de visualización desactivada, la pantalla no muestra la concentración de CO. Solo la luz indicadora de encendido estará encendida.

Nivel del ventilador : cuando la concentración de CO alcanza la configuración del relé del ventilador (35ppm, por ejemplo), la pantalla mostrará "FAn" continuamente mientras el relé del ventilador esté habilitado. Esto aparece como lentamente parpadeando "FAn".

Nivel de alarma : con la función de visualización apagada, la pantalla no muestra la concentración de CO, pero mostrará "ALr" cuando se active el relé de alarma.

Problemas : con la función de visualización desactivada y el dispositivo está en un estado de problemas, la pantalla mostrará el código de error "t" (t01, por ejemplo). Si la configuración del ventilador de problemas está activada, el relé del ventilador cambiará la activación del relé. Consulte la Sección [4.5.11 Configuración del ventilador de problemas – "tFS"](#) y los Códigos de error de la Sección [5.1.2 "t"](#).

Calibración debida: con la funcionalidad período de calibración habilitada, si un detector está dentro de 1 mes del período de calibración, la pantalla mostrará "dUE" continuamente. La calibración debida solo se resuelve con una calibración de campo correcta.

4.4 Lazo de 4-20 mA

La configuración de 4-20mA seleccionada para 'bAS' o 'EnH' se considera como función de 4-20mA activada.

Aire limpio – Con la función de 4-20 mA activada y la concentración actual de CO ppm en "0" (cero), el bucle de 4-20 mA dará como resultado 4 mA.

Lectura de gas – Con la función de 4-20 mA activada, la salida leerá entre 4 mA y 20 mA dependiendo de la concentración actual de CO.

Problemas : con la función de 4-20 mA activada y la configuración del ventilador de problemas habilitada. El bucle 4-20mA dará salida a 1 mA o 24 mA dependiendo de la condición de problema. Consulte la Sección [5.1 Diagnósticos a bordo](#).

4.5 Predeterminado: configuración de fábrica

El CM-xx viene pre-programado con estas configuraciones predeterminadas:

ajuste:	predeterminado:
Prueba de encendido	en
Monitor	en
zumbador	en
Configuración del relé de alarma	200 ppm
Configuración del relé de alarma	Normalmente abierto (NO)
Configuración del relé del ventilador	35 ppm
Retardo de relé del ventilador	3 minutos
Tiempo de ejecución mínimo de retransmisión de ventilador	0 minutos
Enganche del relé del ventilador	apagado
Configuración del ventilador de problemas	apagado
4-20mA	bAS (básico)
Calibración debida	dIS (deshabilitado)

Para cambiar la configuración, desmonte el tornillo Philips en la parte frontal del CM-6. Tire de la cubierta delantera de la unidad.

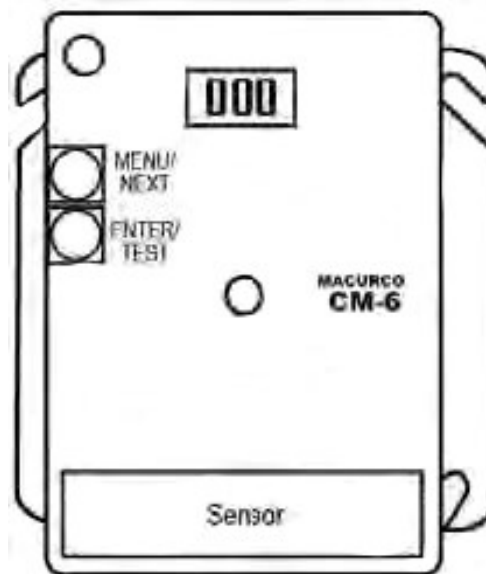


Figura 4-1 Vista de la placa

Para restablecer la configuración de fábrica del dispositivo, consulte la sección 4.5.1 Selección de la configuración predeterminada – "dEF"

4.5.1 Selección de la configuración predeterminada – "dEF"

Para seleccionar la Configuración Predeterminada, en modo normal, presione el botón **Siguiente** para llegar a "Con" o el menú Configuración. A continuación, presione el botón **Entrar** para entrar en el menú Estafa. La primera selección es la configuración "dEF" o predeterminada. Presione **Entrar**. Si ya está en configuración predeterminada, no habrá ninguna acción. Si aún no está en Configuración predeterminada, se mostrará "nO". Presione Siguiente para cambiarlo a "SÍ" (parpadeante) luego presione **Entrar** para confirmar el cambio (sólido) y presione **Entrar** nuevamente para volver a "dEF" en el menú de estafa. Presione Siguiente hasta **que** se muestre "Fin" y luego presione **Enter** para volver al funcionamiento normal.

Nota: Este menú no se puede cambiar cuando CM-XX está en calibración debido o calibración vencida. (Consulte la sección [4.5.13 Configuración del período de calibración – "CAL"](#) para obtener información sobre la calibración debida y la calibración vencida.)

4.5.2 Configuración de prueba de encendido – "PUt"

Para seleccionar la configuración de prueba de encendido, en modo normal, presione el botón **Siguiente** para llegar a "Con" o el menú Configuración. A continuación, presione el botón **Entrar** para entrar en el menú Estafa. A continuación, presione el botón **Siguiente** para llegar a la segunda selección "PUt" o configuración de prueba de encendido. Presione **Entrar**. Si el testículo está "Activado" empuje **Siguiente** para activarlo "APAGADO" (parpadeando) a continuación, presione **Entrar** para confirmar el cambio (sólido) y empuje **Entrar** de nuevo para volver a "PUt" en el menú Con. Presione Siguiente hasta **que** se muestre "Fin" y luego presione **Enter** para volver al funcionamiento normal.

4.5.3 Configuración de pantalla – "dSP"

Para seleccionar la Configuración de Visualización, en modo normal, presione el botón **Siguiente** para llegar a "Con" o el menú Configuración. A continuación, presione el botón **Entrar** para entrar en el menú Estafa. A continuación, presione el botón **Siguiente** para llegar a la tercera selección "dSP" o configuración de pantalla. Presione **Entrar**. Si la pantalla está "On" presione **Next** para activarla "OFF" (parpadeando) luego presione **Enter** para confirmar el cambio (sólido) y presione **Enter** nuevamente para volver a "dSP" en el menú Con. Presione Siguiente hasta **que** se muestre "Fin" y luego presione **Enter** para volver al funcionamiento normal.

4.5.4 Configuración del zumbador – "bUZ"

Para seleccionar la Configuración del Zumbador, en modo normal, presione el botón **Siguiente** para llegar a "Con" o el menú Configuración. A continuación, presione el botón **Entrar** para entrar en el menú Estafa. La cuarta selección es la configuración "bUZ" o Buzzer. Presione **Siguiente** dos veces para llegar a "bUZ" y luego **Ingrese**. Si la pantalla está "On" presione **Next** para activarla "OFF" (parpadeando) luego presione **Enter** para confirmar el cambio (sólido) y presione **Enter** nuevamente para volver a "bUZ" en el menú Con. Presione Siguiente hasta **que** se muestre "Fin" y luego presione **Enter** para volver al funcionamiento normal.

4.5.5 Configuración del relé de alarma – "ArS"

Para seleccionar la configuración del relé de alarma, en modo normal, presione el botón **Siguiente** para llegar a "Con" o el menú Configuración. A continuación, presione el botón **Entrar** para entrar en el menú Estafa. La quinta selección es el "ArS" o configuración de relé de alarma. Empuje **Siguiente** tres veces para llegar a "ArS" y luego **Ingrese**. Si la pantalla es "dIS" (deshabilitada) presione **Siguiente** para cambiarla a 50, 100, 150 o 200 ppm (parpadeando) luego presione **Enter** para confirmar el cambio (sólido) y presione **Enter** nuevamente para volver a "ArS" en el menú Con. Presione Siguiente hasta **que** se muestre "Fin" y luego presione **Enter** para volver al funcionamiento normal.

4.5.6 Configuración del relé de alarma – "Arco"

Para seleccionar la Configuración del relé de alarma, en modo normal, presione el botón **Siguiente** para llegar a "Con" o el menú Configuración. A continuación, presione el botón **Entrar** para entrar en el menú Estafa. La sexta selección es el "Arco" o configuración de relé de alarma. Empuje **Siguiente** cuatro veces para llegar a "Arco" y luego **Ingrese**. Si el relé es "nO" (normalmente abierto) empuje **Next** para convertirlo en "nC" (parpadeando) luego presione **Enter** para confirmar el cambio (sólido) y empuje **Enter** de nuevo para volver a "Arc" en el menú Con. Presione Siguiente hasta **que** se muestre "Fin" y luego presione **Enter** para volver al funcionamiento normal.

4.5.7 Ajuste del relé del ventilador – "frs"

Para seleccionar la configuración de Relé de ventilador, en modo normal, presione el botón **Siguiente** para llegar a "Con" o el menú Configuración. A continuación, presione el botón **Entrar** para entrar en el menú Estafa. La séptima selección es el ajuste "FrS" o Fan Relay. Empuje **Siguiente** cinco veces para llegar a "FrS" y luego **Ingrese**. Si el relé del ventilador es "dIS" (desactivado) empuje **Siguiente** para cambiarlo a 15, 25, 35, 50 o 100 ppm (parpadeando) a continuación, presione **Entrar** para confirmar el cambio (sólido) y empuje **Entrar** de nuevo para volver a "FrS" en el menú Con. Presione Siguiente hasta **que** se muestre "Fin" y luego presione **Enter** para volver al funcionamiento normal.

4.5.8 Ajuste de retardo del relé del ventilador – "Frd"

Para seleccionar la configuración de Retraso de relé del ventilador, en modo normal, presione el botón **Siguiente** para llegar a "Con" o el menú Configuración. A continuación, presione el botón **Entrar** para entrar en el menú Estafa. La octava selección es el "Frd" o Fan Relay Delay. Empuje **Siguiente** seis veces para llegar a "Frd" y luego **Ingrese**. Si el retraso es "0" (deshabilitado), presione **Siguiente** para cambiarlo a 1, 3, 5 o 10 minutos (parpadeando), presione **Entrar** para confirmar el cambio (sólido) y presione **Entrar** de nuevo para volver a "Frd" en el menú Con. Presione Siguiente hasta **que** se muestre "Fin" y luego presione **Enter** para volver al funcionamiento normal.

4.5.9 Configuración de tiempo de ejecución mínima de retransmisión de ventilador – "Frr"

Para seleccionar la configuración de Tiempo de ejecución mínimo de retransmisión de ventilador, en modo normal, presione el botón **Siguiente** para llegar a "Con" o el menú Configuración. A continuación, presione el botón **Entrar** para entrar en el menú Estafa. La novena selección es el "Frr" o tiempo de ejecución mínimo del ventilador. Empuje **Siguiente** siete veces para llegar a "Frr" y luego **Ingrese**. Si el tiempo de ejecución es "0" (deshabilitado) empuje **Siguiente** para cambiarlo a 3, 5, 10 o 15 minutos (parpadeando) a continuación, presione **Entrar** para confirmar el cambio (sólido) y empuje **Entrar** de nuevo para volver a "Frr" en el menú Con. Presione Siguiente hasta **que** se muestre "Fin" y luego presione **Enter** para volver al funcionamiento normal.

4.5.10 Ajuste de enganche del relé del ventilador – "FrL"

Para seleccionar la opción de enganche del relé del ventilador, en modo normal, presione el botón **Siguiente** para llegar a "Con" o el menú Configuración. A continuación, presione el botón **Entrar** para entrar en el menú Estafa. La décima selección es la opción "FrL" o Fan Relay Latching. Empuje **Siguiente** nueve veces para llegar a "FrL" y luego **Ingrese**. Si el enganche es "OFF" presione **Next** para convertirlo en "ON" (parpadeo) y luego presione **Enter** para confirmar el cambio (sólido) y presione **Enter** nuevamente para volver a "FrL" en el menú Con. Presione Siguiente hasta **que** se muestre "Fin" y luego presione **Enter** para volver al funcionamiento normal.

4.5.11 Configuración del ventilador de problemas – "tFS"

Para seleccionar la opción de configuración del ventilador de problemas, en modo normal, presione el botón **Siguiente** para llegar a "Con" o el menú Configuración. A continuación, presione el botón **Entrar** para entrar en el menú Estafa. La undécima selección es la opción "tFS" o Trouble Fan Setting. Presione **Siguiente** diez veces para llegar a "tFS" y luego **Ingrese**. Si la configuración del ventilador de problemas es "OFF", presione **Next** para activarlo a "ON" (parpadear) y luego presione **Enter** para confirmar el cambio (sólido) y presione **Enter** nuevamente para volver a "tFS" en el menú Con. Presione Siguiente hasta **que** se muestre "Fin" y luego presione **Enter** para volver al funcionamiento normal.

4.5.12 Ajuste de salida 4-20mA – "420"

Para seleccionar la opción de salida 4-20mA, en modo normal, presione el botón **Siguiente** para llegar a "Con" o el menú Configuración. A continuación, presione el botón **Entrar** para entrar en el menú Estafa. La duodécima selección es la opción de salida "420" o 4-20mA. Empuje **siguiente** once veces para llegar a "420" a continuación, **introduzca**. Si el 4-20mA es "bAS" empuje **Next** para convertirlo en "EnH" (parpadeante) y empuje Next una vez más para convertirlo en "OFF" (parpadeando). Then push **Enter** para confirmar el cambio (sólido) y empuje **Enter** de nuevo para volver a "420" en el menú Con. Presione Siguiente hasta **que** se muestre "Fin" y luego presione **Enter** para volver al funcionamiento normal.

NOTA: CM-XX transmitirá información sobre el período de calibración al Panel de Control de Macurco (a través de una salidade 4-20 mA) solo cuando la configuración de salida de 4-20mA se establezca en 'EnH'.

4.5.13 Configuración del período de calibración – "CAL"

El valor seleccionado en la configuración del período de calibración es de meses. CM-xx indica una "calibración debida" cuando está dentro de 1 mes del período de calibración, y "calibración vencida" cuando el detector ha alcanzado o excedido el período de calibración. La configuración del período de calibración no se puede cambiar si CM-xx indica "calibración vencida" o "calibración vencida".

Para seleccionar la Opción período de calibración, en modo normal, presione el botón **Siguiente** para llegar a "Con" o el menú Configuración. A continuación, presione el botón **Entrar** para entrar en el menú Estafa. La decimotercera selección es "CAL" o ajuste del Período de calibración. Empuje **Siguiente** doce veces para llegar a "CAL" y luego empuje **Enter**. El valor predeterminado es "DIS". Presione **Siguiente** para cambiarlo a 3, 6, 12 o 24 (parpadeante) y luego presione **Entrar** para confirmar el cambio (sólido). A continuación, presione **Entrar** de nuevo para volver a "CAL" en el menú Estafa. Presione Siguiente hasta **que** se muestre "Fin" y luego presione **Enter** para volver al funcionamiento normal.

5 Solución de problemas

5.1 Diagnósticos a bordo

El CM-xx supervisa todas las funciones críticas de la unidad a través de diagnósticos de software que prueban y verifican continuamente las operaciones de la unidad. Si se encuentra un problema, la unidad cambiará a un modo a prueba de fallos/error o condición de problema. En este modo de error, se activará el relé de alarma, el bucle de corriente de 4-20 mA irá a 24 mA, la unidad mostrará el código de error, la luz LED del indicador de estado verde parpadeará y el zumbador chirriará intermitentemente. El relé del ventilador también se activará si la opción de configuración del ventilador problemático se establece en "ON". Esta es una precaución de seguridad. Para borrar este modo, simplemente apague la alimentación de la unidad durante unos segundos o presione el interruptor ENTER/TEST (dentro de la unidad). Esto hará que la unidad reinicie el ciclo de autodiagnóstica de 1 minuto.

5.1.1 Solución de problemas de 4-20 mA

- 0 mA es muy probablemente un problema de conexión
- 1 mA indica calibración sobredue (si 4-20mA está configurado para 'EnH')
- 4-20 mA es el rango de lectura de gas normal (0-200 ppm)
- 24 mA indica una condición de problema

5.1.2 Códigos de error "t"

tXX	
t01	Error fatal del sensor/ Falta el sensor
t02	Fallo de compensación de temperatura
t04	Suma de comprobación incorrecta de EEPROM
t08	El sensor está en cortocircuito

t10	Mala EEPROM
t20	Mala calibración
t40	Fallo de calibración de fábrica
t80	Error de lectura de ADC
t100	Bajo rango
t200	Sensor caducado / Fin de vida útil
t8000	Calibración vencida

NOTA:

- I. T8000 tiene la prioridad más alta entre todo el código de problema, es decir, si el código de error T8000 existe junto con otro código de error 't', entonces la salida de 4-20mA es 1mA si existe T8000.
- II. T8000 sólo se resuelve con una calibración de campo correcta.
- III. Si hay varios códigos de error existentes al mismo tiempo, el código mostrado será la suma de los códigos de error. Por ejemplo, la unidad mostrará t03 si t01 y t02 existen al mismo tiempo, t180 si t100 y t80 existen al mismo tiempo, etc.

Si la suma de un dígito (unos, decenas o cientos) es mayor que 9, mostrará la representación hexadecimal correspondiente de la suma. En la tabla siguiente se muestra la representación hexadecimal del número comprendido entre 10 y 15.

Número decimal	Representación hexadecimal mostrada en UNIT
10	un
11	B
12	C
13	D
14	Y
15	F

Tabla 5-1Hexadecimal Display

Por ejemplo, la unidad mostrará t0A si t02 y t08 existen al mismo tiempo. Del mismo modo, tC0 si t40 y t80 existen al mismo tiempo.

Para los códigos de problema de más de 2 dígitos, la pantalla alternará 'tXX' y 't.YY' donde XX corresponde a los dos primeros dígitos y YY (nota '.' después de 't') corresponde a los dos últimos dígitos del código de problema. Por ejemplo, la pantalla alternará entre t01 y t.00 para t100, t02 y t.00 para t200 y t80 y t.00 para t8000.

Si el modo de error se repite con frecuencia, compruebe si hay alimentación continua y voltaje adecuado. Si la alimentación no es el problema y una unidad tiene condiciones de error repetidas, es posible que deba devolverse a Macurco para el servicio, según estas Instrucciones de usuario.

Si el modo de error indica "Sensor caducado", consulte la sección Restablecimiento de la vida útil del sensor de estas Instrucciones para el usuario

5.2 Venenos de sensores

El sensor en el detector está diseñado con extrema sensibilidad al medio ambiente. Como resultado, la función de detección puede deteriorarse si se expone a contaminantes, un aerosol directo de aerosoles como pinturas, vapores de silicona, etc., o a una alta densidad de gases corrosivos (como sulfuro de hidrógeno, dióxido de azufre) durante un período prolongado de tiempo.

5.3 Señal de fin de vida útil

El CM-xx tiene un sensor electroquímico de larga duración, no reemplazable. Diez (10) años después de que se instale el CM-xx, se activará la señal de fin de vida útil del sensor, lo que indica que el CM-xx ha llegado al final de su vida útil típica. La señal de fin de vida causará un código de error t200 "Sensor caducado". Consulte la Sección 5.1.2 códigos de error "t".

La señal de fin de vida útil se puede silenciar durante 48 horas pulsando el botón "ENTER/TEST" o dejando caer temporalmente la alimentación de la unidad. La señal de fin de vida útil proporciona al usuario la oportunidad de probar y/o calibrar el sensor asegurando que todavía está funcionando dentro de parámetros aceptables, aunque el sensor se está acercando al final de su vida útil esperada. La función de silencio seguirá estando disponible durante 29 días después de que el CM-xx inicie la señal inicial de fin de vida útil. Después de este período de 29 días, el CM-xx ya no se puede silenciar, y el sensor debe ser calibrado, y la vida útil del sensor se restablece, o el detector CM-xx reemplazado.

6 mantenimiento

El CM-6 es de bajo mantenimiento. La unidad utiliza un sensor electroquímico de larga duración que tiene una esperanza de vida de 10 años (en condiciones normales). El rendimiento del detector debe probarse regularmente mediante el uso de gas como se detalla en las secciones de pruebas y calibración de campo. Todo el mantenimiento y reparación de los productos fabricados por Macurco se realizará en la planta de fabricación de Macurco correspondiente. Macurco no sanciona ninguna instalación de reparación de terceros

6.1 Restablecimiento de la vida útil del sensor

1. Desmonte el tornillo Philips de la parte delantera del CM-xx. Tire de la cubierta delantera de la unidad.
2. Para restablecer la vida útil del sensor (rSt), desde el modo normal o de calentamiento, pulse el botón **Siguiente** cuatro veces para llegar a "SEn" o modo sensor.
3. Luego presione el botón **Enter** para llegar a "rSt" - Restablecer el modo del sensor.
4. Pulse de nuevo el botón **Intro** para ver el estado de restablecimiento del sensor. Si la vida útil del sensor ya se ha restablecido, se mostrará "don" hecho. Si aún no se ha restablecido, se mostrará "no". Presione **Siguiente** para cambiarlo a "Sí" (parpadeante) luego presione **Entrar** para confirmar el cambio (sólido) y presione **Entrar** nuevamente para volver a "rSt" en el menú "SEn". Presione **Siguiente** hasta **que** se muestre "Fin" y luego presione **Enter** para volver al funcionamiento normal. La vida útil del sensor se restablecerá durante 1 año.

NOTA: Si el sensor se restablece y el detector no se reemplaza, es necesario probar y/o calibrar el sensor para asegurarse de que todavía está funcionando dentro de las especificaciones aceptables, aunque el sensor se está acercando al final de su vida útil esperada. No habrá ninguna otra indicación del rendimiento del sensor.

advertencia

No desensamblar la unidad ni intentar reparar o modificar ningún componente de este instrumento. Este instrumento no contiene piezas reparables por el usuario, y la sustitución de componentes puede afectar el rendimiento del producto.

cautela

Evite el uso de materiales de limpieza agresivos, abrasivos y otros disolventes orgánicos. Dichos materiales pueden rayar permanentemente las superficies y dañar la ventana de visualización, las etiquetas, el sensor o la carcasa del instrumento. Los terminales de alta tensión (100-240VAC) se encuentran dentro de este detector, lo que representa un peligro para los técnicos de servicio. Sólo los técnicos cualificados deben abrir la caja del detector y dar servicio a los circuitos internos. Asegúrese de que se extrae la energía del detector antes de limpiar la unidad. No hacerlo puede resultar en enfermedad o muerte.

6.2 limpieza

La limpieza de las superficies externas se lleva a cabo mejor con un paño húmedo con un detergente suave o jabón. Use una aspiradora con cepillo suave para eliminar el polvo o la contaminación debajo de la cubierta. No sople el sensor con aire comprimido.

7 ensayo

advertencia

El uso de un gas certificado con una concentración distinta de la indicada para este detector al realizar una prueba de verificación de calibración (prueba de protuberancia) producirá lecturas inexactas. Esto significa que los niveles más altos del gas que se está monitoreando pueden estar presentes y podrían resultar en una sobreexposición. Para un uso adecuado, consulte el supervisor o el Manual del usuario, o comuníquese con soporte técnico al 1-844-325-3050.

Todas las unidades CM-6 están calibradas de fábrica, 100% probadas para el correcto funcionamiento y la precisión de $\pm 10\%$ *. Durante el funcionamiento normal, la luz LED del indicador de estado verde estará encendida de forma constante, el ventilador y el relé de alarma estarán en modo de espera y la salida de 4-20 mA estará a 4mA (en aire limpio). La unidad también realiza

una autodiagnóstica automática regular durante el funcionamiento normal. Si la unidad detecta un voltaje incorrecto o un componente inoperable, entrará por defecto en el modo error. En este modo de error, se activará el relé de alarma, el bucle de corriente de 4-20 mA irá a 24 mA, la unidad mostrará el código de error, la luz LED del indicador de estado verde parpadeará y el zumbador chirriará intermitentemente. El relé del ventilador también se activará si la opción de configuración del ventilador problemático se establece en "ON".

*Probado a 100ppm CO a 68°F a 75°F.

7.1 ensayo

7.1.1 Prueba de operación

Compruebe que la luz LED indicadora de estado verde CM-6 esté iluminada continuamente. Si no es así, no proceda con las pruebas. Si la unidad está en modo de error, póngase en contacto con su representante local o con el representante del servicio técnico de Macurco para obtener información sobre cómo resolver el problema.

1. Desmonte el tornillo único en el centro de la cubierta frontal del CM-6.
2. Desmonte la cubierta delantera.
3. Observe la luz LED en la parte frontal del CM-6.
4. Si la luz es de color verde sólido, continúe con el paso 6.
5. Si la luz LED del indicador de estado verde está apagada o parpadeando, consulte la sección General anterior.
6. Localice el interruptor con la etiqueta ENTER/TEST en el lado izquierdo de la placa de circuito impreso. Presione el interruptor de prueba una vez.
7. El CM-6 pasará por una prueba de ciclo:
 - a. La pantalla progresa a través de la BUZ (Buzzer Test) Art (prueba de relé de alarma), Frt (prueba de relé de ventilador) y luego 42t (prueba de salida de 4-20 mA). Asegúrese de que la configuración está "en" o no deshabilitado "diS".
 - b. Durante los primeros 3 segundos del ciclo de prueba, la pantalla mostrará BUZ y apagará el zumbador audible
 - c. El relé de alarma se cerrará durante 5 segundos, se probarán todos los dispositivos conectados a ese relé.
 - d. El relé del ventilador se activará durante el próximo 1 minuto de la prueba, por lo que si los circuitos del ventilador están cableados de la manera normal, el ventilador debe funcionar.
 - e. La salida de 4-20mA aumentará de 4 a 16 mA durante los próximos 130 segundos de la prueba, por lo que si el circuito está cableado de la manera normal, el panel de control o el sistema de automatización del edificio deben responder.
 - f. Al final del ciclo de prueba, el ventilador y el relé de alarma estarán en modo de espera y la salida de 4-20 mA volverá a 4 mA (en aire limpio).
8. Cuando se complete la prueba, vuelva a montar la unidad o unidades.

7.1.2 Prueba de operación manual

Esta opción ofrece al usuario la oportunidad de iniciar manualmente una prueba individual para cada relé, la salida analógica y la respuesta del sensor al gas. Desde el modo de operación normal, presione el botón Siguiente 2 veces para llegar al Modo de prueba (tSt). Presione el botón Enter una vez para entrar en el menú de prueba. Pulse el botón Siguiente para desplazarse por las cinco opciones de prueba y pulse Intro para iniciar la prueba seleccionada. Tenga en cuenta que si se ha desactivado el relé o la salida de 4 a 20 mA, la selección de prueba no se mostrará en el menú de prueba.

bUZ- Prueba del zumbador, 3 segundos

Arte - Prueba de relé de alarma, 5 segundos

Frt - Prueba de relé del ventilador, 60 segundos

Prueba de bucle 42t - 420, 130 segundos

gtS - Prueba de gas, 3 minutos (sin salida al panel durante la prueba de gas)

La pantalla parpadeará durante la prueba, o en el caso de la prueba de gas, el nivel de gas se alternará con gtS. Una vez completada la prueba, la pantalla volverá a la pantalla constante. Para salir del menú de prueba, presione el botón **Siguiente** hasta que se muestre "Fin" y luego presione **Entrar** para volver al modo normal.

7.2 Kits de calibración y prueba

advertencia

Se deben realizar los siguientes pasos al realizar una prueba de calibración o verificación de calibración (prueba de protuberancia) para garantizar el correcto rendimiento del monitor. No hacerlo puede afectar negativamente al rendimiento del producto.

- Al realizar una prueba de calibración o verificación de calibración (prueba de protuberancia) utilice únicamente gas de calibración certificado al nivel de concentración requerido.
- No pruebe con gas de calibración caducado.
- No cubra ni obstruya la pantalla ni la cubierta de alarma visual.
- Asegúrese de que las entradas del sensor no estén obstruidas y libres de desechos

El incumplimiento de las instrucciones descritas en este manual de usuario puede resultar en enfermedad o muerte.

- Al realizar una prueba de calibración o verificación de calibración (prueba de protuberancia) utilice únicamente gas de calibración certificado al nivel de concentración requerido. No calibre con gas de calibración caducado.
- Si el instrumento no se puede calibrar, no lo use hasta que se pueda determinar y corregir la razón.
- No cubra ni obstruya la pantalla ni la cubierta de alarma visual.
- Asegúrese de que las entradas del sensor no estén obstruidas y estén libres de desechos

Se necesita un kit de calibración de campo, cal-kit 1 y una botella de gas de calibración para completar la prueba de gas. Estos están disponibles a través de la distribución local o de Macurco.

NOTA: CM-xx debe ser probado o calibrado a intervalos regulares de acuerdo con los requisitos de la Asociación Nacional de Protección contra Incendios (NFPA) 720 o los requisitos del código local. Se recomienda probar o calibrar CM-xx al menos una vez al año.

Contenido del Cal-Kit 1

- Cal-Kit 1(30-0011-1110-2)
 - Caso de calibración
 - Dos pies de tubo Tygon
 - Cal Hood-Macurco Pack
 - 0.2 Regulador de gas LPM (F)

También se necesitan las siguientes botellas de gas (se venden por separado):

- Cantidad 1 CO-200PPM (70-0714-0348-2) Monóxido de carbono CO Cal Gas Cilindro 17L 200 ppm (M) (Para **calibración**)
- Cantidad 1 CO-50PPM (70-0714-8640-4) Monóxido de carbono CO Cal Cilindro de gas 17L 50 ppm (M) (**para pruebas de gas**)

Cal-Kit 1 Información

Varios detectores se pueden calibrar con un Cal-Kit. La única limitación es la cantidad de gas en el cilindro. El cilindro de 17litros tiene aproximadamente 85 minutos de tiempo de ejecución de calibración continua. El cilindro de gas debe reemplazarse cuando el manómetro del regulador muestra 25 psi o menos.

Nota: Para obtener resultados óptimos de las pruebas, se sugiere que la unidad esté en aire limpio, con luz verde encendiéndose y en un flujo de aire ambiente bajo.

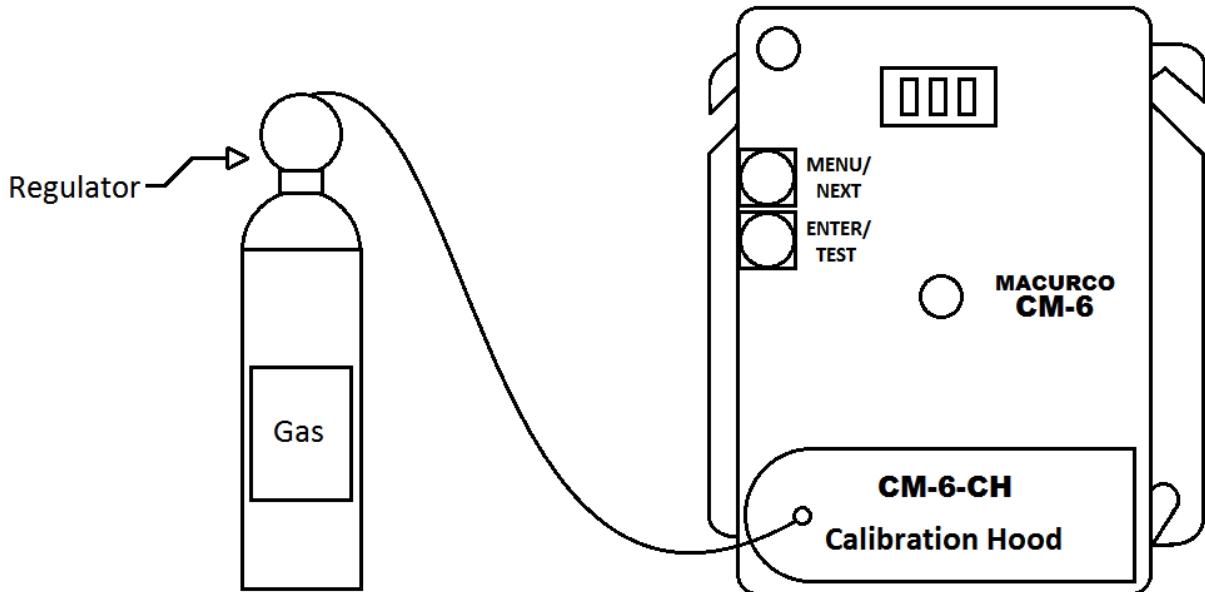


Figura 7-1 Conexión del kit de calibración

7.3 Pruebas de gas

7.3.1 Prueba del relé del ventilador

1. Desmonte el tornillo Philips en la parte delantera del CM-6. Desmonte la cubierta delantera.
2. Abra el Cal-Kit 1. Conecte el cilindro de gas de 50 ppm al regulador.
3. Compruebe el manómetro del regulador. Si tiene 25 psi o menos, deberá reemplazar el bote de gas.
4. Monte el regulador, la manguera y el capó de prueba y coloque el capó de prueba sobre el sensor de CO.
Nota: El tiempo para activar el relé del ventilador depende de la configuración de retardo.
5. Encienda el regulador para iniciar el flujo de gas y espere con el gas aplicado continuamente.
6. Con la función de visualización activada, el CM-6 mostrará la concentración actual de CO o "0" (cero) en aire limpio. Cuando la concentración de CO alcanza el ajuste de relé de ventilador (35 ppm, por ejemplo), la pantalla parpadeará de un lado a otro entre "FAN" y "enrojecimiento de gas actual". Con la función de visualización desactivada, la pantalla no muestra la concentración de CO, pero mostrará "FAN" siempre y cuando se active el relé del ventilador.

Nota: Si el relé del ventilador no se cierra en el plazo de 2 minutos, hay cuatro posibilidades:

- a. El cilindro de gas está vacío, compruebe el manómetro. Sustituya el cilindro de gas si es de 25psi o menos.
 - b. La unidad necesita ser recalibrada (pasar por la recalibración y la re-prueba).
 - c. El detector necesita mantenimiento (unidad de retorno a la fábrica para el mantenimiento).
 - d. El detector tiene relé de ventilador configurado para desactivar (dis) o 100ppm. Establezca el relé del ventilador a 25ppm y repita la prueba.
7. Retire el gas del sensor. Proceda a Probar el relé de alarma o reemplace la cubierta superior.

7.3.2 Prueba del relé de alarma

Nota: La concentración de CO para activar el relé de alarma depende de la configuración.

1. Conecte el cilindro de 200ppm de monóxido de carbono al regulador.
2. Compruebe el manómetro. Si hay 25psi o menos el cilindro debe ser reemplazado.

3. Coloque el capó de prueba sobre el sensor de CO. Encienda el regulador para iniciar el flujo de gas.
4. El relé del ventilador debe activarse de acuerdo con la configuración.
5. Con la función de visualización activada y la concentración de CO alcanzando la configuración del relé de alarma (200 ppm, por ejemplo) la pantalla parpadeará de un lado a otro entre "ALr" y "lectura de gas actual". El zumbador sonará indicando "Alarma" si el zumbador está encendido. Con la función de visualización desactivada, la pantalla no muestra la concentración de CO, pero mostrará "ALr" cuando se active el relé de alarma.

Nota: Si el relé de alarma no funciona en 2 minutos, hay cuatro posibilidades:

- a. El cilindro de gas está vacío, compruebe el manómetro. Sustituya el cilindro de gas si es de 25 psi o menos.
 - b. La unidad necesita ser recalibrada (pasar por la recalibración y la re-prueba).
 - c. El detector necesita mantenimiento (unidad de retorno a la fábrica para el mantenimiento).
 - d. El detector tiene el relé de alarma configurado para deshabilitar (diS). Establezca el relé de alarma en 100 ppm y repita la prueba.
6. Retire el gas del sensor después de la prueba. Proceda a probar la salida de 4-20 mA o reemplace la cubierta superior.

7.3.3 Probando el bucle 4-20mA

1. Conecte el cilindro de 200 ppm de monóxido de carbono al regulador.
2. Compruebe el manómetro. Si hay 25 psi o menos, el cilindro debe ser reemplazado.
3. Coloque la tapa del regulador sobre el sensor de CO. Encienda el regulador para iniciar el flujo de gas.
4. El relé del ventilador debe activarse de acuerdo con la configuración.
5. El relé de alarma debe activarse de acuerdo con la configuración.
6. La salida de 4-20 mA debería aumentar de 4mA en aire limpio a 20mA a 200 ppm. Véase el diagrama de 4-20 mA en la página 6.

Nota: Si la salida de 4-20mA no aumenta en el plazo de 2 minutos, hay cuatro posibilidades:

- a. El cilindro de gas está vacío, compruebe el manómetro. Sustituya el cilindro de gas si es de 25 psi o menos.
 - b. La unidad necesita ser recalibrada (pasar por la recalibración y la re-prueba).
 - c. El detector necesita mantenimiento (unidad de retorno a la fábrica para el mantenimiento).
 - d. El detector tiene la opción 4-20 mA establecida en "OFF". Establezca la opción 4-20mA en "On" y repita la prueba.
7. Retire el gas del sensor. Vuelva a montar el CM-6 (asegúrese de que el LED esté alineado con el orificio de la caja frontal). Ya está.

7.3.4 Prueba de monóxido de carbono en aerosol

El CME1-FTG es un gas de prueba de campo de monóxido de carbono en aerosol de 11L 500 ppm que se puede utilizar con el CM-xx. Este gas de prueba de campo permite a los instaladores realizar una prueba de funcionalidad rápida del sensor de CO. El caudal del CME1-FTG es de 10 Lpm por lo que tendrá aproximadamente un minuto de gas o lo suficiente para probar 20-30 sensores.

1. Las unidades a ensayar deben alimentarse continuamente durante un mínimo de 3 minutos antes de continuar.
2. Para obtener resultados óptimos de las pruebas, la unidad debe estar en aire limpio y en un flujo de aire ambiente bajo.
3. Compruebe que la luz indicadora de estado CM-6 esté iluminada, verde continuamente. Si no es así, no proceda con las pruebas. Consulte la sección Diagnósticos incorporados de CM-6.
4. La opción de visualización debe establecerse en "On" y leer 0 ppm en aire limpio.
5. Con la cubierta CM-6 en, apunte la boquilla de la lata de aerosol en el área de la rejilla del sensor (debajo DE NO PINTAR) y presione durante 2 a 3 segundos.
6. Espere unos segundos. La pantalla digital debe subir indicando el aumento de la concentración de CO en el sensor confirmando un paso de la prueba rápida.

Nota: Si la pantalla no cambia en 10 segundos, hay cuatro posibilidades:

- a. Cilindro de gas está vacío, reemplazar el cilindro de gas.
 - b. La unidad necesita ser recalibrada (pasar por el Procedimiento de Calibración de Campo y volver a probar).
 - c. El detector necesita mantenimiento (unidad de retorno a la fábrica para el mantenimiento).
7. Espere a que la pantalla vuelva a 0 ppm y configure las opciones en la configuración deseada.

7.4 Procedimiento de calibración de campo

Nota: Para obtener resultados de calibración óptimos, la unidad debe estar en aire limpio y en un flujo de aire ambiente bajo.

CM-xx tiene un menú de nivel superior "CAL" que se puede utilizar para realizar la calibración de campo. 'tSC', 'Spn' y 'End' son submenú dentro del menú "CAL". 'tSC' es un menú de sólo lectura y representa el tiempo transcurrido desde la última calibración. Si introduce este submenú, mostrará el valor en formato Y.MM. "MM" son para meses y "Y" para el año. Por ejemplo, si el valor es 0.05, entonces han pasado 5 meses desde la última vez que la unidad fue calibrada. El submenú 'Spn' se utiliza durante el procedimiento de calibración de campo como se describe en el siguiente procedimiento. El submenú 'Fin' se utiliza para salir del menú 'CAL'.

Siga el procedimiento a continuación para la calibración de campo.

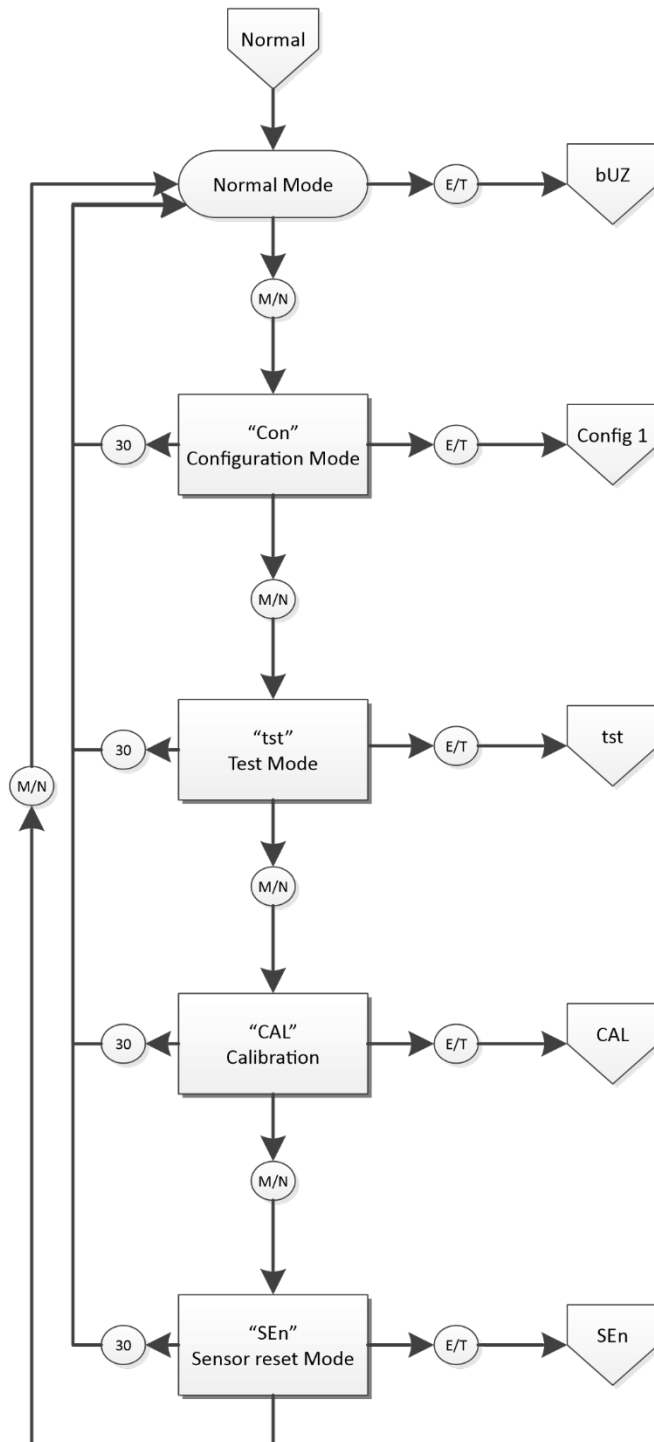
- a. Desmonte el tornillo Philips de la parte delantera del CM-xx. Tire de la cubierta delantera de la unidad.
- b. Monte el cilindro de gas de 200 ppm y el regulador juntos.
- c. Compruebe el manómetro del regulador. Si tiene 25 psi o menos, deberá reemplazar el bote de gas.
- d. Coloque la campana de prueba desde el regulador sobre el sensor de CO.
- e. Presione Siguiendo 3 veces para llegar al menú CAL y luego presione Entrar. Mostrará "tSC". Push Next to go to "Spn" and push Enter. La pantalla parpadeará de un lado a otro entre GAS y 200.
- f. Comience a aplicar gas al sensor de CO.
Nota: El sensor buscará el gas durante 90 segundos. Si no se aplica ni se detecta ningún gas en ese tiempo, la pantalla volverá a CAL.
- g. Cuando el sensor detecta el gas, la pantalla parpadeará de un lado a otro entre la concentración de CO y SPn, luego la calibración progresará y la pantalla mostrará el nivel de gas durante un máximo de 165 segundos.
- h. Cuando la calibración es exitosa, la pantalla parpadeará de un lado a otro entre la concentración de CO y PAS, luego la pantalla mostrará el nivel de gas de calibración y se realizará la calibración.
- i. Si la calibración falla, la pantalla parpadeará hacia adelante y hacia atrás entre la concentración de CO y "FAil". Si esto ocurre, compruebe el manómetro del regulador. Si la presión es inferior a 25 psi, el flujo de gas puede no ser adecuado para calibrar correctamente la unidad. Si hay una presión adecuada en el cilindro, repita los pasos del 4 al 6. Si la unidad no puede calibrar dos veces, póngase en contacto con soporte técnico: 1-844-325-3050.
- j. Una vez pasada la calibración, retire el gas y desmonte el cilindro y el regulador.
- k. Vuelva a montar el CM-xx (asegúrese de que el LED esté alineado con el orificio de la caja frontal). Ya está.
- l. Consulte Diagrama de flujo de calibración en el interior de la carcasa.

8 Apéndice A – Tabla de imágenes

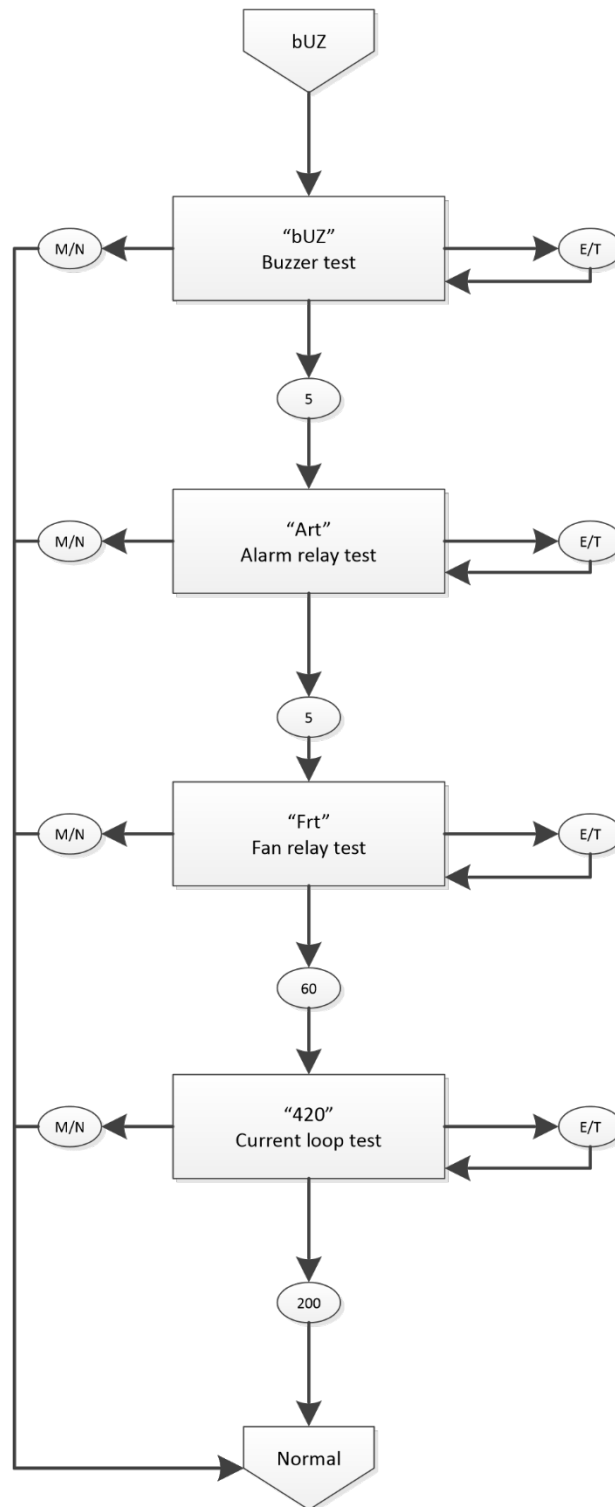
Figura 3-1 6-Series 4-20 mA Diagrama de salida	138
.....	13
Figura 3-2 Vista trasera de la serie 6.....	149
.....	14
Figura 3-3 6-Series Alarm Control Panel diagrama	149
.....	14
Figura 3-4 Serie 6 DVP-120 Panel de Control diagrama.....	159
.....	15
Figura 3-5 Diagrama de dispositivos múltiples de la serie 6.....	1610
.....	16
Figura 3-6 6-Series Stand Alone Diagram	1610
.....	16
Figura 3-7 Panel de alarma alternativo de la serie 6	1611
.....	16
Figura 3-8 6-Series Horn &Strobe Combo Cableado.....	1711
.....	17
Figura 3-9 12-Series 4-20 mA Diagrama de salida	1813
.....	18
Figura 3-10 Vista trasera serie 12	1913
.....	19
Figura 3-11 Diagrama independiente de la serie 12	1913
.....	19
Figura 3-12 Diagrama de dispositivos múltiples de la serie 12.....	2014
.....	20
Figura 3-13 Panel de control de alarma de la serie 12 Diagrama	2014
.....	20
Figura 3-14 12-Series DVP-120 Panel de Control Diagrama	2015
.....	20
Figura 3-15 Panel de alarma alternativo 12-Series	2115
.....	21
Figura 3-16 12-Series Horn &Strobe Combo Cableado.....	2116
.....	21
Figura 4-1 Vista de tablero.....	2720
.....	27
Tabla 5-1 Pantalla hexadecimal	3124
.....	31
Figura 7-1 Kit de calibración Conexión	3628
.....	36

9 Apéndice B – Estructura de menú

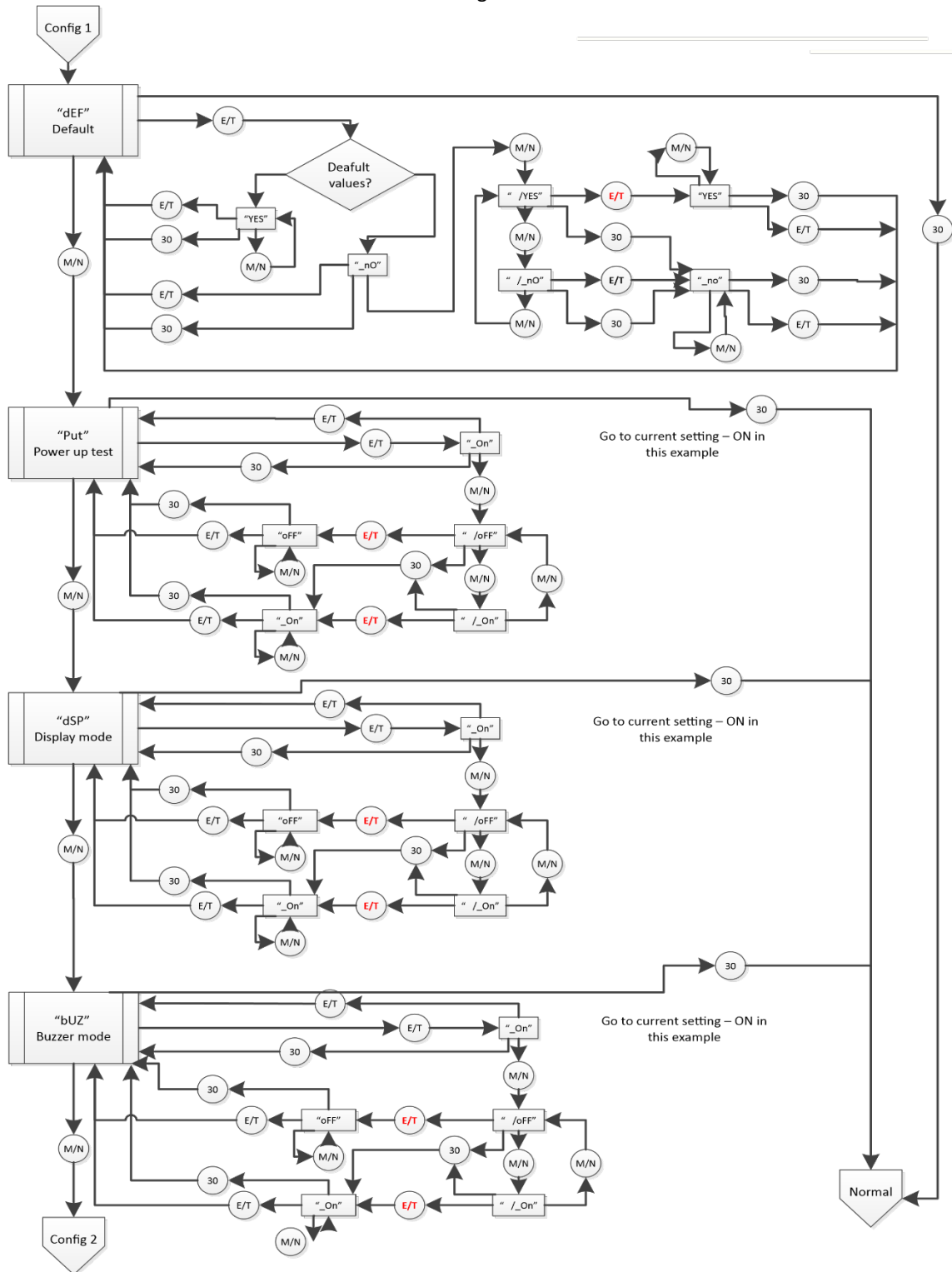
9.1 Menú principal

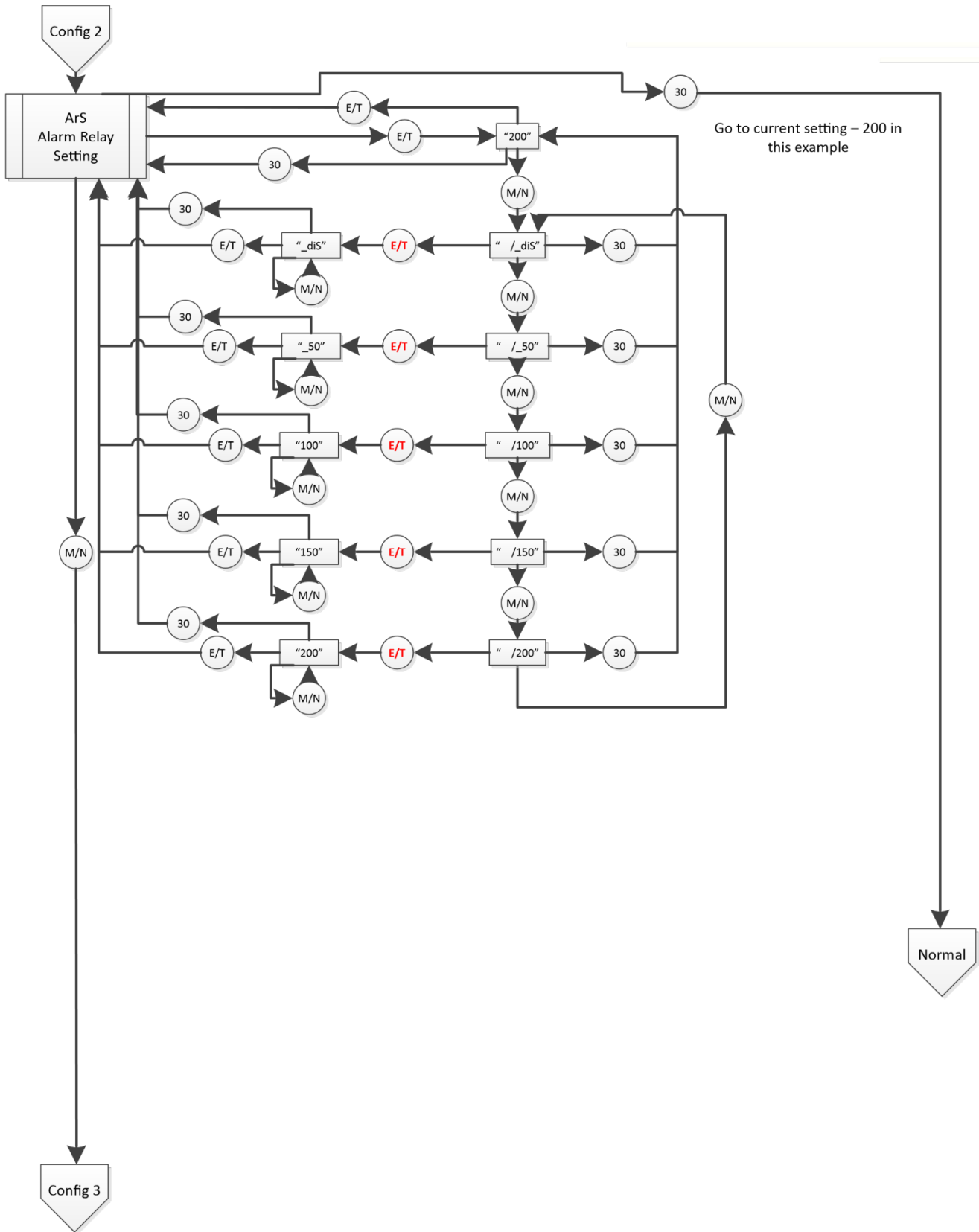


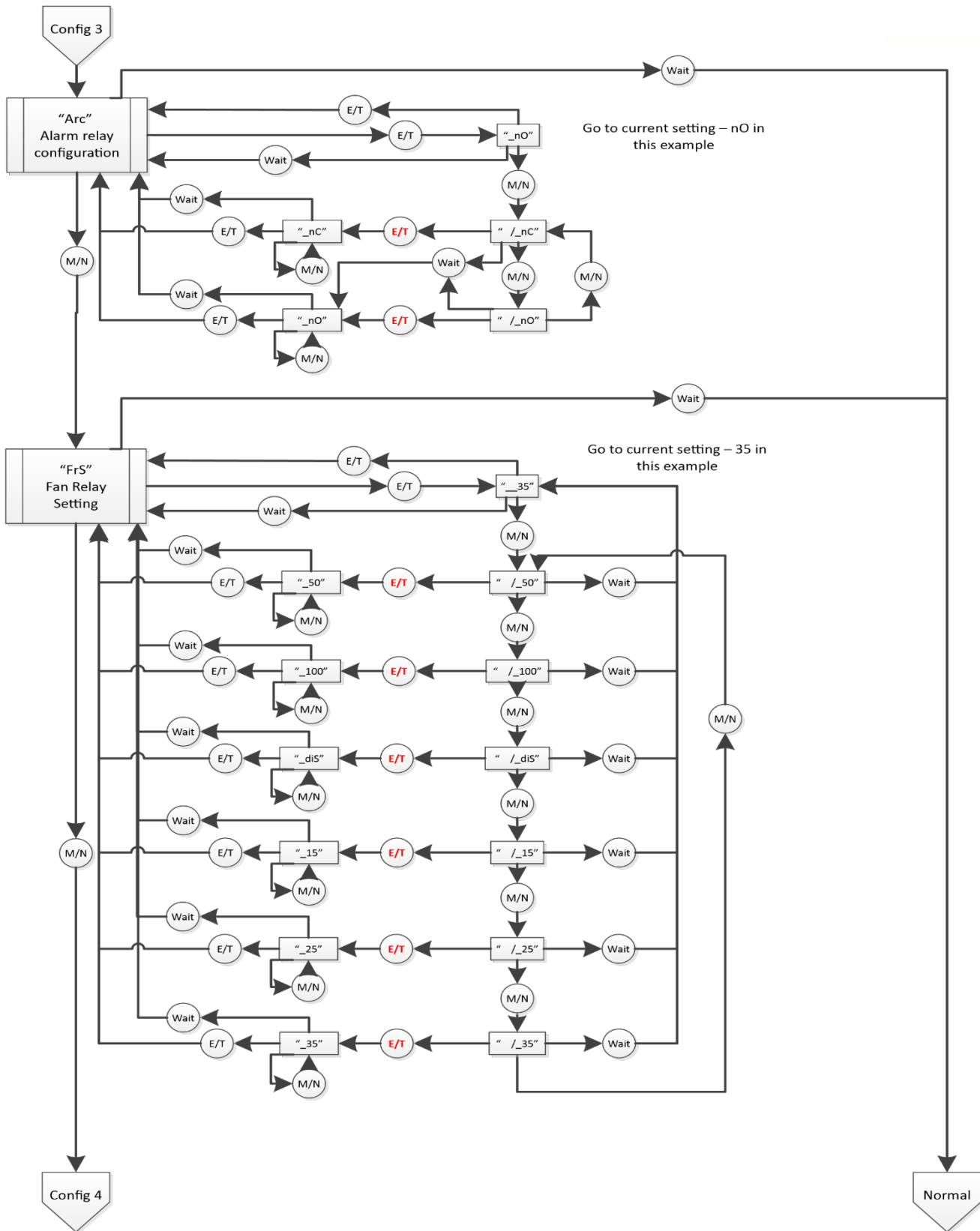
9.2 Menú de prueba automática "bUZ"

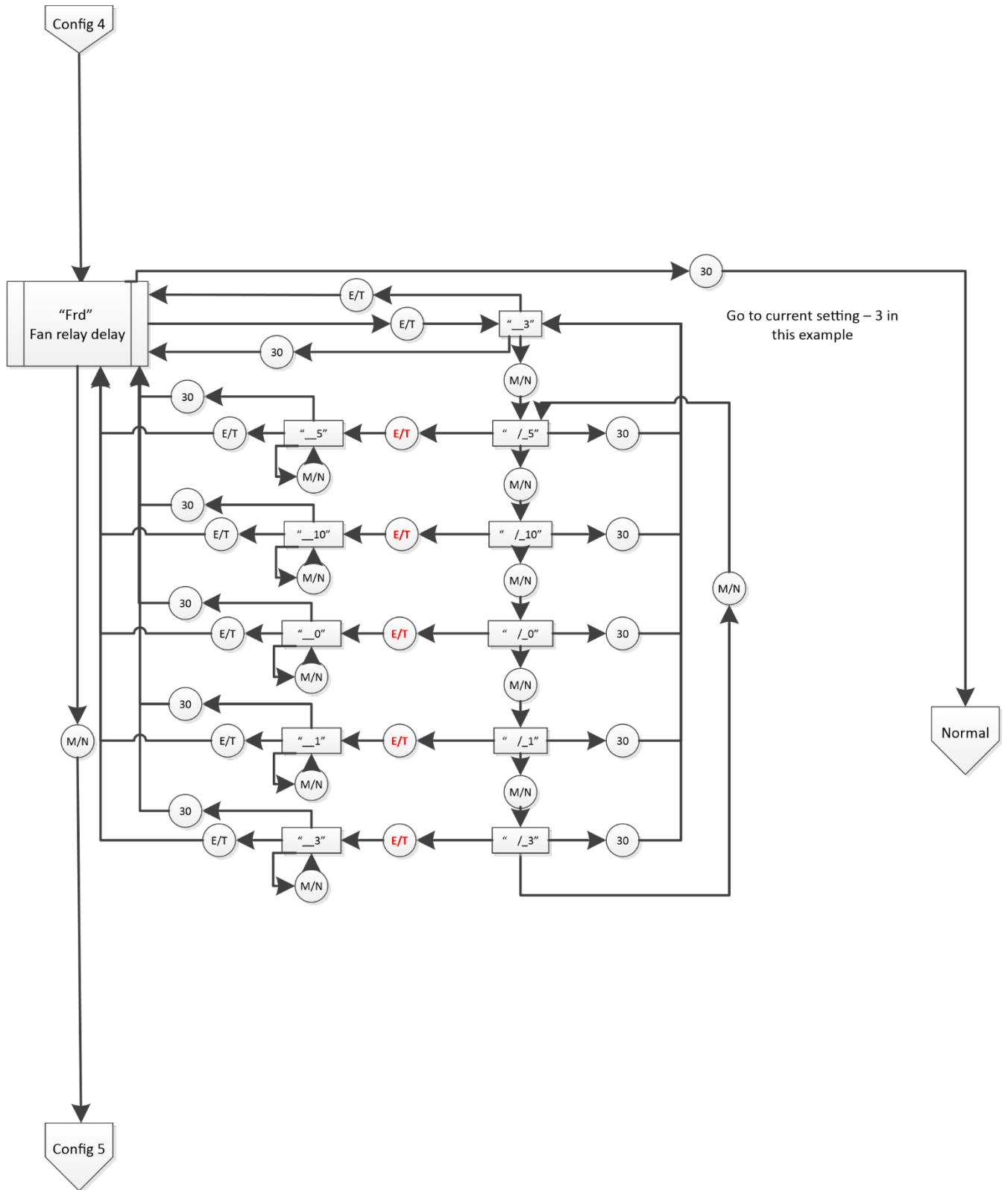


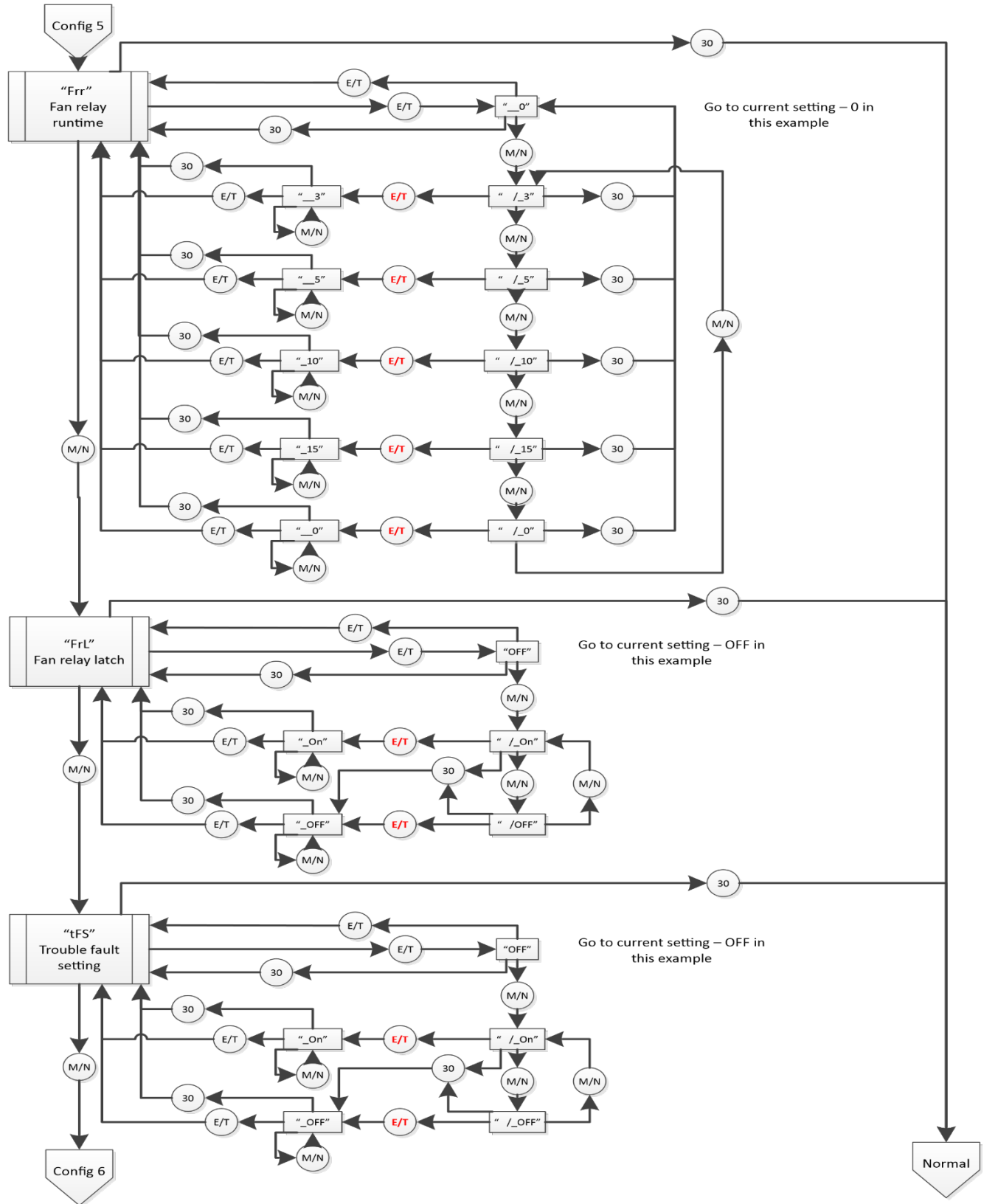
Menú de configuración "CON"

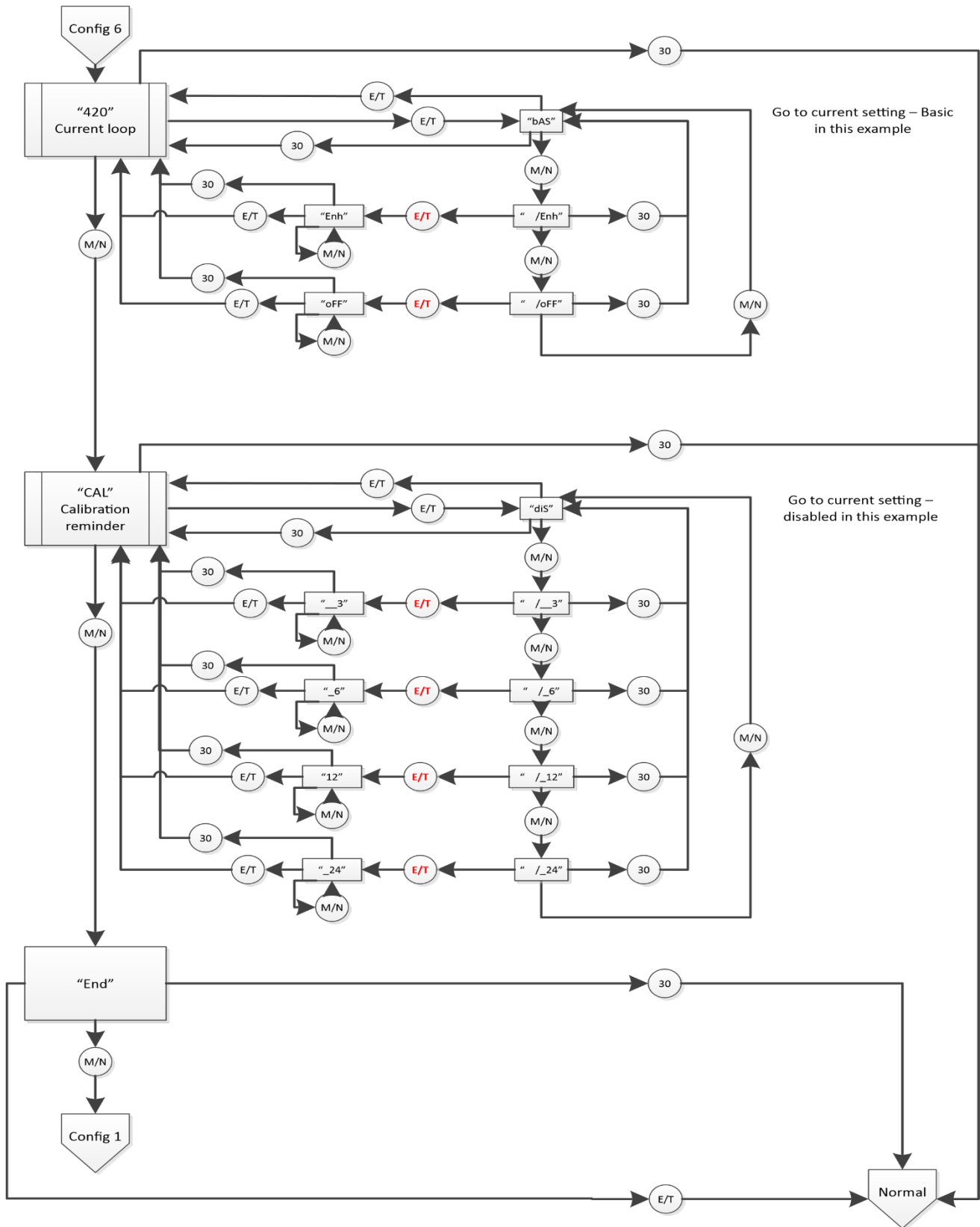




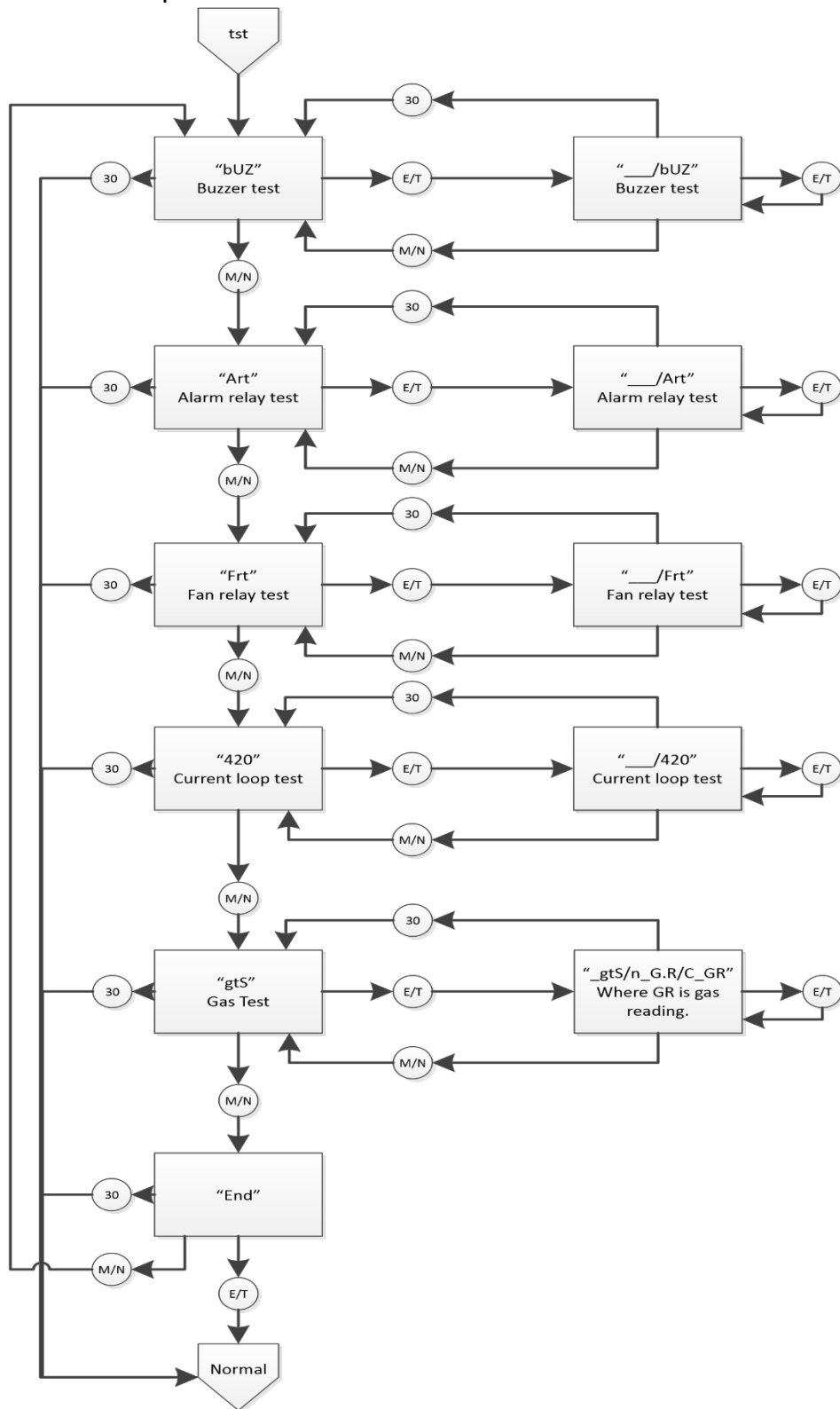




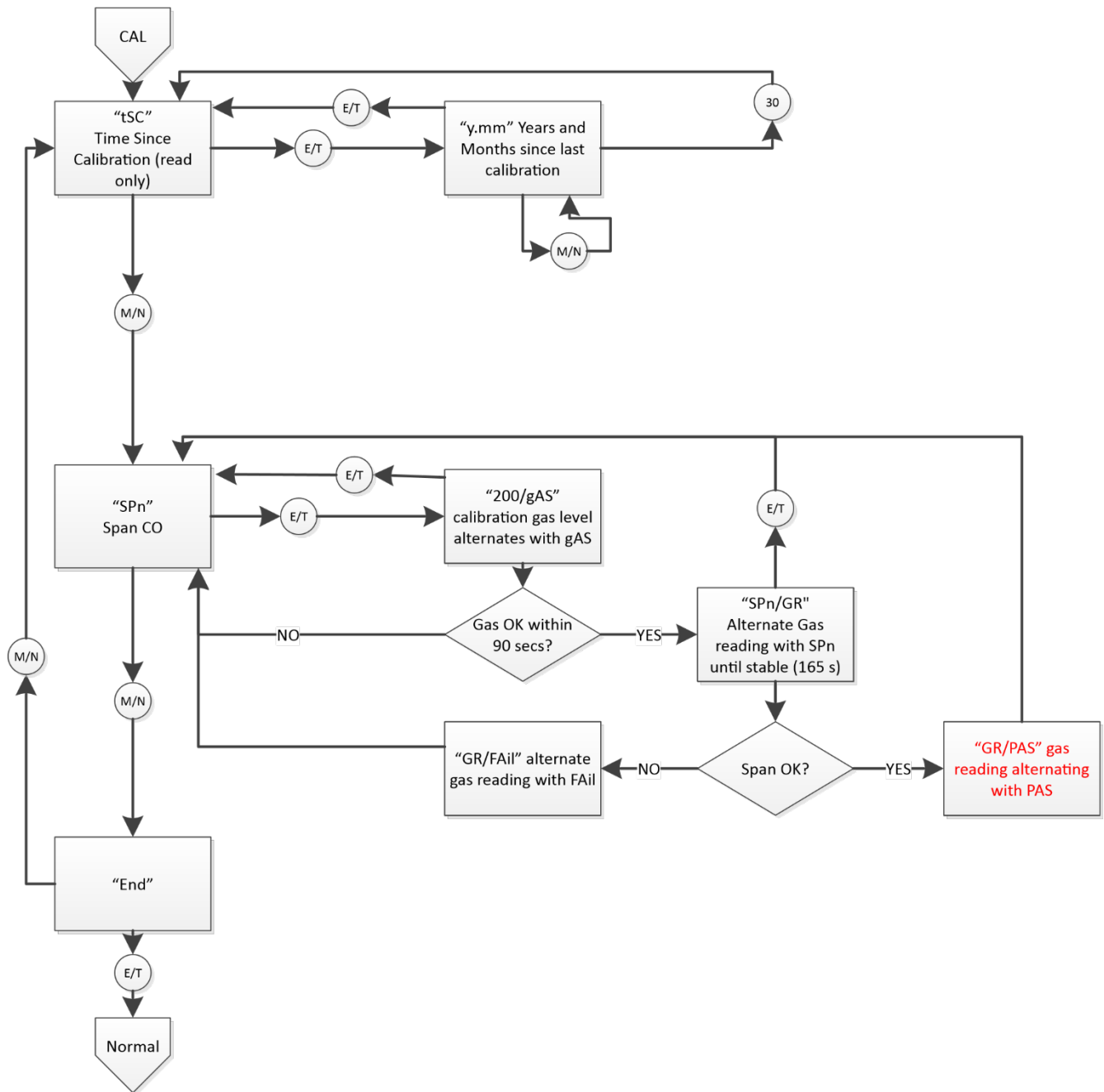




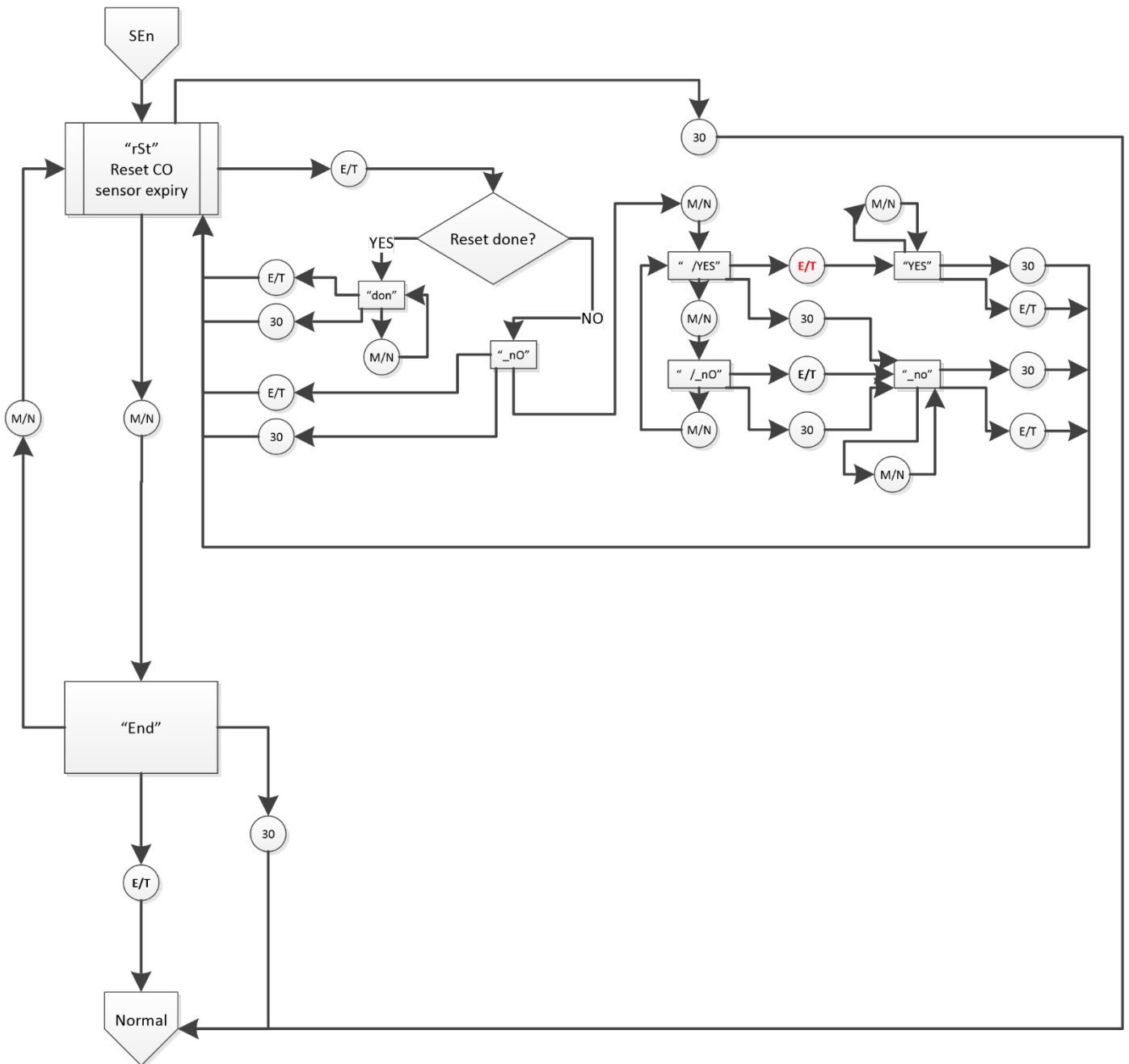
9.3 Seleccione el menú de prueba "tst"



9.4 Menú de calibración "CAL"



9.5 Menú de restablecimiento del sensor "SEn"



11 Macurco Gas Detection Product garantía limitada

Macurco garantiza que el detector de gas CM-6 estará libre de materiales defectuosos y mano de obra por un período de dos (2) años a partir de la fecha de fabricación (indicada en la cubierta interior del CM-6), siempre y cuando se mantenga y utilice de acuerdo con las instrucciones y / o recomendaciones de Macurco. Si algún componente se vuelve defectuoso durante el período de garantía, será reemplazado o reparado de forma gratuita, si la unidad se devuelve de acuerdo con las instrucciones a continuación. Esta garantía no se aplica a las unidades que han sido alteradas o se ha intentado reparar, o que han sido objeto de abuso, accidental o de otro tipo. La garantía anterior sustituye a todas las demás garantías, obligaciones o responsabilidades expresas. LAS GARANTÍAS IMPLÍCITAS DE COMERCIABILIDAD E IDONEIDAD PARA UN PROPÓSITO PARTICULAR SE LIMITAN A UN PERÍODO DE DOS (2) AÑOS A PARTIR DE LA FECHA DE COMPRA. Macurco no será responsable de ningún daño incidental o consecuente por incumplimiento de esta o cualquier otra garantía, expresa o implícita, que surja de o esté relacionada con el uso de dicho detector de gas. La responsabilidad del fabricante o de su agente se limitará al reemplazo o reparación como se establece anteriormente. Los recursos únicos y exclusivos del comprador son la devolución de los bienes y el reembolso del precio, o la reparación y sustitución de bienes o piezas no conformes.

Detección de gas macurco

3601 N. St. Paul Avenue
Sioux Falls, SD 57104

Información de contacto de soporte técnico

Teléfono: 1-844-325-3050

Fax: 1-605-951-9616

Correo electrónico: support@macurco.com

Sitio web: www.macurco.com/support

Información general de contacto

Teléfono : 1-877-367-7891

Fax: 1-605-951-9616

Correo electrónico : info@macurco.com

Sitio web: www.macurco.com

Rev - 1. 2.

Fecha de emisión: 6/23/ 2021

Nº de documento: 34-2900-0511-6

© Aerionics 2021. Todos los derechos reservados.

Macurco es una marca comercial de Aerionics, Inc.

