

## Macurco™ CX-6, CX-12

Carbon Monoxide & Nitrogen Dioxide Combination Detector,  
Controller and Transducer  
User Instructions



**IMPORTANT:** Keep these user instructions for reference.



- 1 General Safety Information ..... 4
  - 1.1 General Description ..... 4
  - 1.2 List of warnings ..... 4
- 2 Use Instructions and Limitations ..... 5
  - 2.1 Use For ..... 5
  - 2.2 Do NOT use for ..... 6
  - 2.3 Features ..... 6
  - 2.4 Specifications ..... 6
    - 2.4.1 6-Series Low Voltage ..... 7
    - 2.4.2 12-Series Line Voltage ..... 7
- 3 Installation and Operating Instructions ..... 7
  - 3.1 Location ..... 7
  - 3.2 Installation ..... 8
    - 3.2.1 6-Series Low Voltage ..... 8
    - 3.2.2 12-Series Line Voltage ..... 14
  - 3.3 Terminal Connection ..... 20
    - 3.3.1 6-Series Low Voltage ..... 20
    - 3.3.2 12-Series Line Voltage ..... 21
- 4 Operations ..... 22
  - 4.1 Power up ..... 22
  - 4.2 Display turned “On” ..... 22
  - 4.3 Display turned “Off” ..... 23
  - 4.4 4-20mA Loop ..... 23
  - 4.5 Configuration “CON” ..... 24
    - 4.5.1 Default – Factory Settings ..... 24
    - 4.5.2 Select Default Configuration – “dEF” ..... 25
    - 4.5.3 Select Power-Up Test Setting – “PUT” ..... 25
    - 4.5.4 Select Display Configuration – “dSP” ..... 25
    - 4.5.5 Select Buzzer Configuration – “bUZ” ..... 26
    - 4.5.6 Select Alarm Relay Setting for CO – “ArS.C” ..... 26
    - 4.5.7 Select Alarm Relay Setting for NO2 – “ArS.n” ..... 27
    - 4.5.8 Select Alarm Relay Configuration – “Arc” ..... 27
    - 4.5.9 Select Fan Relay Setting for CO – “FrS.C” ..... 27
    - 4.5.10 Select Fan Relay Setting for NO2 – “FrS.n” ..... 28
    - 4.5.11 Select Fan Relay Delay Setting – “Frd” ..... 28
    - 4.5.12 Select Fan Relay Minimum Runtime Setting – “Frr” ..... 28
    - 4.5.13 Select Fan Relay Latching Setting – “FrL” ..... 29
    - 4.5.14 Select Trouble Fan Setting – “tFS” ..... 29
    - 4.5.15 Select 4-20mA Output Setting – “420” ..... 30
    - 4.5.16 Select 4-20mA Mode – “420.n” ..... 30
    - 4.5.17 Select Calibration Period for CO Sensor – “CAL.C” ..... 31
    - 4.5.18 Select Calibration Period for NO<sub>2</sub> Sensor – “CAL.n” ..... 31
- 5 Troubleshooting ..... 32

- 5.1 On-Board Diagnostics ..... 32
  - 5.1.1 4-20mA troubleshooting ..... 32
  - 5.1.2 Trouble Codes ..... 32
- 5.2 Sensor Poisons ..... 33
- 5.3 Sensor Expired ..... 34
- 6 Maintenance ..... 35
  - 6.1 Sensor Life Reset ..... 35
  - 6.2 Cleaning ..... 36
- 7 Testing ..... 36
  - 7.1 Testing ..... 36
    - 7.1.1 Operation Test ..... 36
    - 7.1.2 Manual Operation Test ..... 37
  - 7.2 Calibration and Test Kits ..... 38
  - 7.3 Gas Testing ..... 39
    - 7.3.1 Testing the Fan Relay ..... 39
    - 7.3.2 Testing the Alarm Relay ..... 40
    - 7.3.3 Testing the 4-20mA loop ..... 40
    - 7.3.4 Aerosol Carbon Monoxide Test (Carbon Monoxide only) ..... 41
  - 7.4 Field Calibration Procedure ..... 41
    - 7.4.1 Zero Calibration for CO Sensor ..... 41
    - 7.4.2 Zero Calibration for NO<sub>2</sub> Sensor ..... 42
    - 7.4.3 Span Calibration for CO Sensor ..... 42
    - 7.4.4 Span Calibration for NO<sub>2</sub> Sensor ..... 43
- 8 Appendix A – Table of Figures ..... 44
- 9 Appendix B – Menu Structure ..... 45
  - 9.1 Main Menu ..... 45
  - 9.2 Auto Test Menu “bUZ” ..... 46
  - 9.3 Configuration Menu “CON” ..... 47
  - 9.4 Select Test Menu “tst” ..... 54
  - 9.5 CAL Menu ..... 55
  - 9.6 SEn Menu ..... 57
- 10 Macurco Gas Detection Product limited warranty ..... 58
  - Technical Support Contact Information ..... 58
  - General Contact Information ..... 58

# 1 General Safety Information

The following instructions are intended to serve as a guideline for the use of the Macurco CX-6 and CX-12 Carbon Monoxide & Nitrogen Dioxide Combination Detector. This manual will refer to these devices as CX-xx unless content is specific to a model. This manual is not to be considered all-inclusive, nor is it intended to replace the policy and procedures for your facility. If you have any doubts about the applicability of the equipment to your situation, consult an industrial hygienist or call Technical Support at 1-844-325-3050.


## 1.1 General Description

The Macurco CX-xx is a commercial style combination Carbon Monoxide and Nitrogen Dioxide Gas Detector/Transducer. It is an electronic detection system used to measure the concentration of CO and NO<sub>2</sub> and provide feedback and automatic exhaust fan control to help reduce CO and NO<sub>2</sub> concentrations in parking garages, maintenance facilities or other commercial applications.

It is available in both a low voltage (CX-6) and line voltage (CX-12) option. The CX-xx is a low-level meter capable of displaying in the range 0-200 ppm (parts per million) of Carbon Monoxide and 0-20 ppm of Nitrogen Dioxide. The CX-xx has selectable 4-20 mA output, buzzer and digital display options. The CX-xx is factory calibrated and 100% tested for proper operation but can also be calibrated in the field.

The CX-xx is intended to be mounted on a 4 x 4 electrical box. It can operate in a stand-alone application or can be connected to a building automation system, UL listed Control Panel, or other control device that accepts 4-20mA analog input. The CX-xx is compatible with the Macurco DVP Control Panel.

## 1.2 List of warnings

 <b>WARNING</b>
Each person using this equipment must read and understand the information in this user manual before use. Use of this equipment by untrained or unqualified persons or use that is not in accordance with this user manual, may adversely affect product performance.
Use only for monitoring the gas which the sensor and monitor is designed to detect. Failure to do so may result in exposures to gases not detectable and cause serious injury or death. For proper use, see supervisor or user manual, or contact Technical Support at 1-844-325-3050.
This equipment may not function effectively below 0°F or above 125°F (-18°C or above 52°C). Using the detector outside of this temperature range may adversely affect product performance.
This detector helps monitor for the presence and concentration level of a certain specified airborne gas. Misuse may produce an inaccurate reading, which means that higher levels of the gas being monitored may be present and could result in overexposure and cause serious injury or death. For proper use, see supervisor or User manual, or contact Technical Support at 1-844-325-3050.
High voltage terminals (120/240 VAC) are located within this detector, presenting a hazard to service technicians. Only qualified technicians should open the detector case

and service the internal circuits. Ensure power is de-energized from the detector relays prior to servicing the unit. Failure to do so may result in electrical shock.
Do not disassemble unit or attempt to repair or modify any component of this instrument. This instrument contains no user serviceable parts, and substitution of components may impair product performance.
Using a certified gas with a concentration other than the one listed for this detector when conducting a calibration verification test (bump test) will produce inaccurate readings. This means that higher levels of the gas being monitored may be present and could result in overexposure. For proper use, see supervisor or User manual, or contact Technical Support at 1-844-325-3050.
The following steps must be performed when conducting a calibration verification test (bump test) to ensure proper performance of the monitor. Failure to do so may adversely affect product performance. <ul style="list-style-type: none"><li>• When performing a calibration verification test (bump test) only use certified calibration gas at the required concentration level.</li><li>• Do not test with expired calibration gas.</li><li>• Do not cover or obstruct display or visual alarm cover.</li><li>• Ensure sensor inlets are unobstructed and are free of debris</li></ul> Failure to follow instructions outlined in this user manual can result in sickness or death.

## 2 Use Instructions and Limitations

<b>⚠ WARNING</b>
Each person using this equipment must read and understand the information in this user manual before use. Use of this equipment by untrained or unqualified persons or use that is not in accordance with this user manual, may adversely affect product performance.

### 2.1 Use For

The CX-xx provides CO and NO<sub>2</sub> detection and automatic exhaust fan control for automotive maintenance facilities, enclosed parking garages, utility rooms, warehouses and other commercial applications where the potential for Carbon Monoxide and/or Nitrogen Dioxide gas exists. The CX-xx meets the requirements of the Uniform Building Code for enclosed garages and meets OSHA standards for CO and NO<sub>2</sub> exposure. The CX-xx can be used stand alone, with the Macurco DVP-120 Detection and Ventilation Control Panel, other 12 VAC or 24 VDC fire/security panels or building automation systems.

<b>⚠ WARNING</b>
Use only for monitoring the gas which the sensor and monitor is designed to detect. Failure to do so may result in exposures to gases not detectable and cause serious injury or death. For proper use, see supervisor or user manual, or contact Technical Support at 1-844-325-3050.

## 2.2 Do NOT use for

The CX-xx is not intended for use in hazardous locations or industrial applications such as refineries, chemical plants, etc. Do not mount the CX-xx where the normal ambient temperature is below 0°F or exceeds 125°F (-18°C or above 52°C). The CX-xx mounts on a type 4S electrical box supplied by the contractor. Do not install the CX-xx inside another box unless it has good air flow through it.

### WARNING

This equipment may not function effectively below 0°F or above 125°F (-18°C or above 52°C). Using the detector outside of this temperature range may adversely affect product performance.

## 2.3 Features

- ETL LISTED Certified to CSA C22.2 No 61010-1, Conforms to UL Std. 61010-1
- Low-level meter capable of displaying from 0-200 ppm of CO and 0-20 ppm of NO<sub>2</sub>
- The CX-xx meets the Uniform Building Code for enclosed garages and meets OSHA standards for CO and NO<sub>2</sub> exposure
- Selectable fan and alarm relay activation
- 5 A SPDT fan relay controls starters of exhaust fans
- 0.5 A N.O. or N.C. alarm relay connects to warning devices or control panels
- 4-20 mA Current Loop
- CX-xx mounts on a standard 4x4 electrical box and becomes cover for the box
- Supervised system: any internal detector problem will cause the fan & Alarm relay to activate
- Calibration kit is available. One screw allows access for calibration or gas test

## 2.4 Specifications

- Shipping Weight: 1 pound (0.45 kg)
- Size: 4 1/2 x 4 x 2 1/8 in. (11.4 X 11.4 X 5.3 cm)
- Color: White or Dark gray
- Connections: plugs/terminals
- Mounting box: (not included) 4x4 electric
- Fan relay: 5 A, 240 VAC, pilot duty, SPDT, latching or non-latching
- Fan relay actuation for CO: selectable at dIS (disable), 15, 25, 35 (default), 50 or 100 ppm
- Fan relay actuation for NO<sub>2</sub>: selectable at dIS (disabled) 0.5, 0.7, 1.0, 1.2, 1.5, 1.7, 2.0, 2.2, 2.5 (default), 2.7, 3.0, 3.2, 3.5, 3.7, 4.0, 4.2, 4.5, 4.7, 5.0 ppm
- Fan Delay Settings of 0, 1, 3 (default), 5 and 10 minutes
- Fan Relay Minimum Runtime settings are 0 (default), 3, 5, 10 or 15 minutes
- Fan relay latching or not latching (default) selectable
- Alarm relay: 0.5A 120 V, 60 VA
- Alarm relay actuation: selectable N.O. (default) or N.C.
- Alarm relay settings for CO: dIS, 50, 100, 150, and 200 ppm (default)
- Alarm relay settings for NO<sub>2</sub>: dIS, 1, 2, 3, 4, 5 (default), 6, 7, 8, 9, 10, 11, 12, 13, 14, 15, 16, 17, 18, 19, 20 ppm
- Current Loop 4-20 mA, selectable to 'bAS' (default), 'EnH', OFF

- Calibration Period Settings: dis(default), 3, 6, 12 and 24 (months)
- Buzzer: 85 dBA at 10cm settable to On (default) or OFF.
- Digital display: 4-digit LED selectable to On (default) or OFF.
- Operating Environment: 0°F to 125° F (-18°C to 52°C), 10 to 90% RH non-condensing

#### 2.4.1 6-Series Low Voltage

- Power: 3 W (max) from 12 to 24 VAC or 12 to 32 VDC
- Current @ 24 VDC: 75 mA in alarm (two relays), 50 mA (fan relay only) and 23 mA standby

#### 2.4.2 12-Series Line Voltage

- Power: 100-240VAC (50 TO 60 HZ)
- Current: 1.0 A MAX

### 3 Installation and Operating Instructions

#### WARNING

This detector helps monitor for the presence and concentration level of a certain specified airborne gas. Misuse may produce an inaccurate reading, which means that higher levels of the gas being monitored may be present and could result in overexposure and cause serious injury or death. For proper use, see supervisor or User manual, or contact Technical Support at 1-844-325-3050.

#### 3.1 Location

A CX-xx is normally mounted at breathing level, about 5 feet (1.5 meters) above the floor on a wall or column in a central area where air movement is generally good. The unit, on average, can cover approximately 5,000 sq. ft. (465 sq. meters) to 7,500 sq. ft. (697 sq. meters). The coverage depends on air movement within the room or facility. Extra detectors may be needed near any areas where people work or where the air is stagnant. Some of the factors that affect the coverage area are application type, personnel work areas and movement, room size, air movement, potential threat, mounting location, along with other site-specific factors that must be considered. Please check local regulations or requirements prior to installation. The CX-xx mounts on a 4x4 electrical box supplied by the contractor. Do not install the CX-xx inside another box unless it has good air flow through it. Do NOT mount the CX-xx where the normal ambient temperature is below 0°F or exceeds 125°F (below -18°C or above 52°C).

#### WARNING

High voltage terminals (120/240 VAC) are located within this detector (CX-12), presenting a hazard to service technicians. Only qualified technicians should open the detector case and service the internal circuits. Ensure power is de-energized from the detector relays prior to servicing the unit. Failure to do so may result in electrical shock.



## 3.2 Installation

### 3.2.1 6-Series Low Voltage

1. The CX-6 mounts on a 4" square (or 4x4) electrical box supplied by the contractor. Do not mount the CX-6 inside another box, unless it has good air flow through it.
2. Connect the CX-6 to Class 2 listed power supply only. It is suggested to use a separate transformer for powering the unit or units because of possible interferences from other devices on the same power supply.
3. Connect the CX-6 to the control cables with terminal plugs. When making connections, make sure the power is off.
4. There are two terminals for Power: 12 to 24 VAC or 12 to 32 VDC, with no polarity preference.
5. There are two terminals for the dry alarm relay contacts, again with no polarity preference. The alarm relay can switch up to 0.5 A 120 V, or 60 VA. The alarm relay is activated if gas reaches or exceeds the alarm settings. See section 4.5 Configuration "CON" for details on relay settings.
6. The alarm relay can be configured to normally open (default) (N.O.) or normally closed (N.C.) and will activate:
  - a. if either the CO or NO<sub>2</sub> gas concentration exceeds the alarm set point. It will deactivate once the gas concentration drops below the alarm set point. Note that setting both "ArS.C" and "ArS.n" to "diS" will disable the alarm relay.
  - b. during a power up test "PUt".
  - c. when a trouble condition is present.
7. The dry contact, SPDT fan relay has three terminals. The common (COM.), normally open (N.O.) and the normally closed (N.C.) contact. The fan relay can switch up to 5.0 A up to 240 VAC. See section 4.5 Configuration "CON" for details on relay settings.
8. The Fan Relay can be configured for latching or non-latching (default) when activated (when the gas concentration exceeds fan relay set point). Once latched in, power will need to be interrupted or the "TEST" button pressed to un-latch the relay condition.
9. The Fan Relay will engage if the fan setting Carbon Monoxide or Nitrogen Dioxide concentration is exceeded for longer than the Fan Relay Delay time. Unless it is configured for latching, the fan relay will disengage once both of the following conditions have been met:
  - Carbon Monoxide and Nitrogen Dioxide concentration have dropped below fan setting
  - Fan Relay Run time has been exceededNote that the "disable" fan setting will cause the fan relay to not engage. The fan relay will engage in trouble fault condition (if the Trouble Fan Setting Option is set to "ON") and will disengage once trouble fault condition is cleared.
10. The Current Loop is 4 mA in clean air and 4-20 mA for 0-200ppm CO and 4-20 mA for 0-20ppm NO<sub>2</sub>. There are two terminals and polarity is marked on the connector.

**NOTE:** 22 to 12 AWG wire shall be used. Wire used shall meet the temperature range of the detector i.e. 0°F to 125° F (-18°C to 52°C).

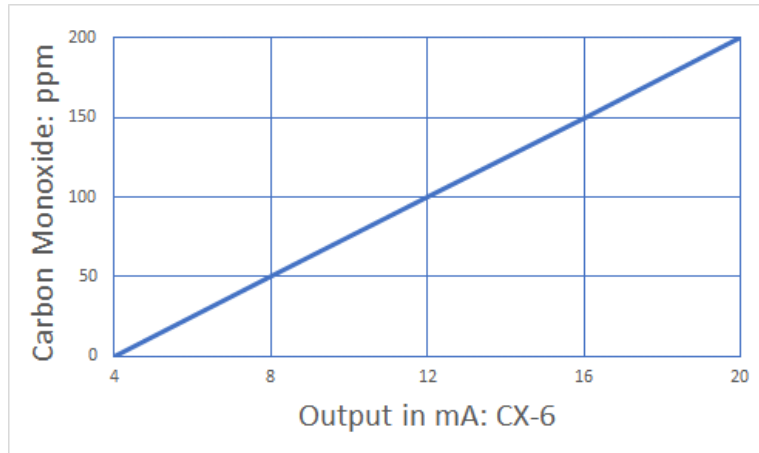


Figure 3–1 6-Series 4-20 mA CO Output diagram

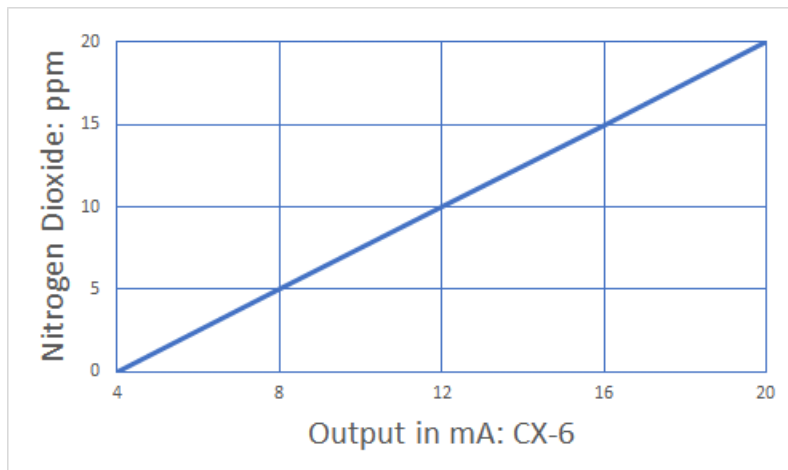


Figure 3–2 6-Series 4-20 mA NO2 Output diagram

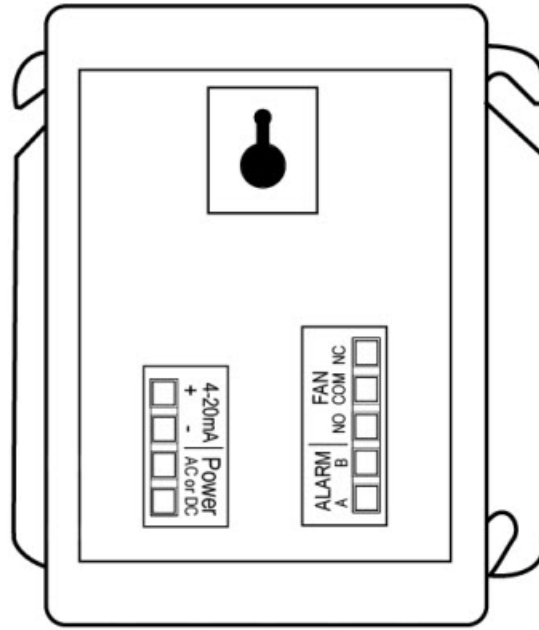


Figure 3-3 6-Series Rear View

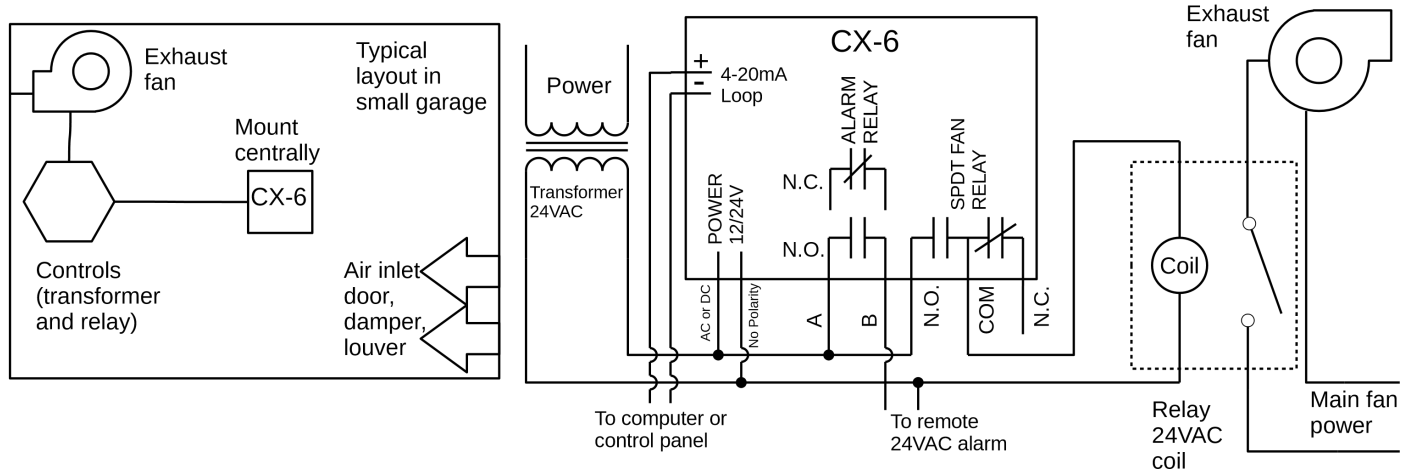


Figure 3-4 6-Series Typical Installation

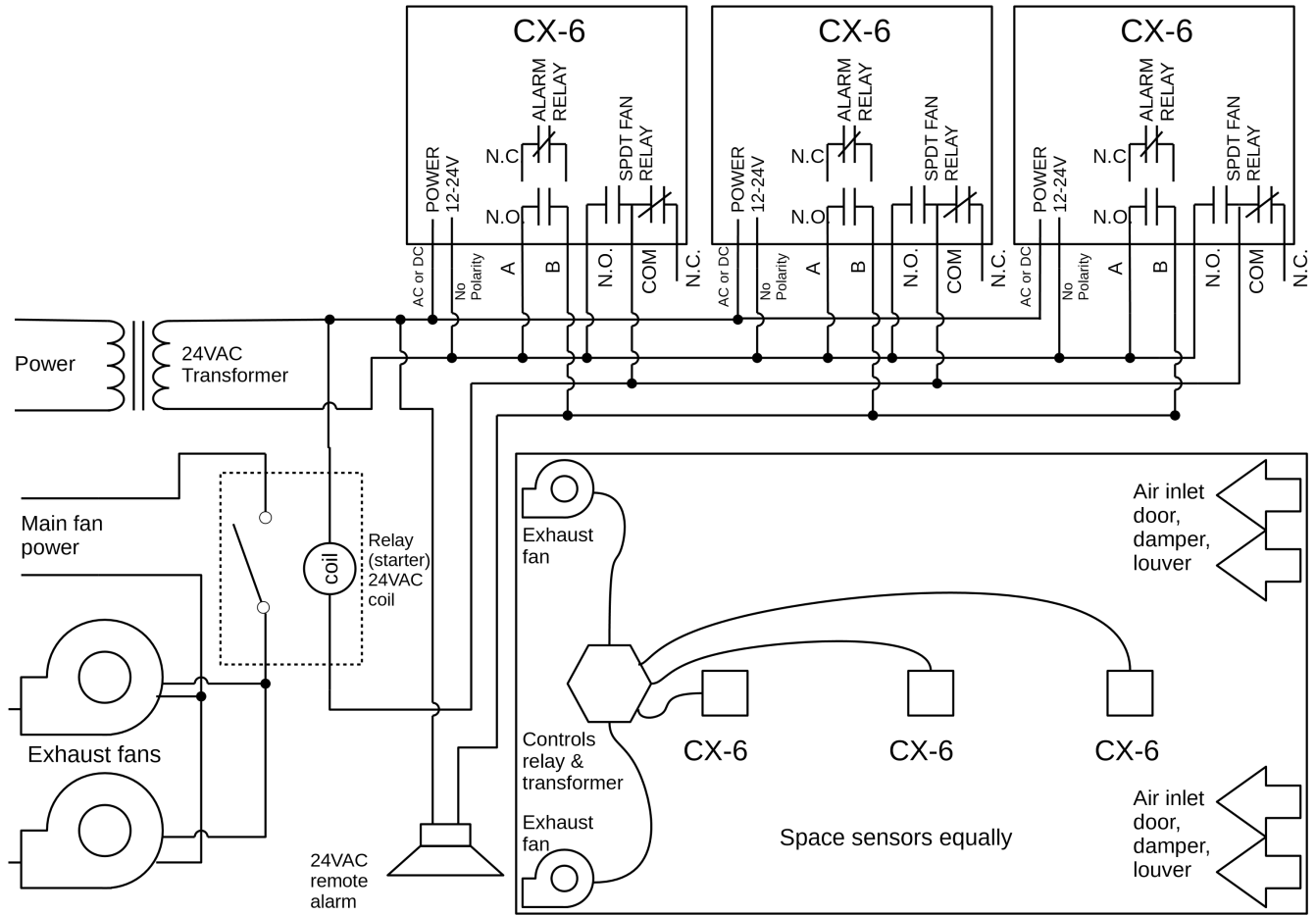


Figure 3-5 6-Series Multiple Devices

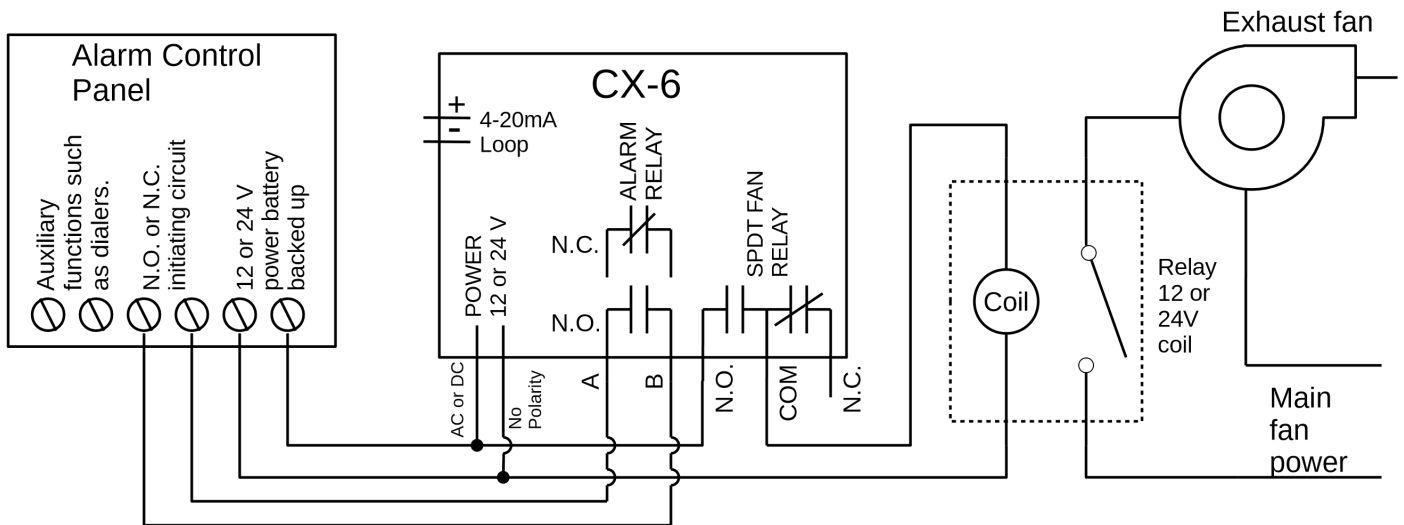


Figure 3-6 6-Series Alarm Control Panel

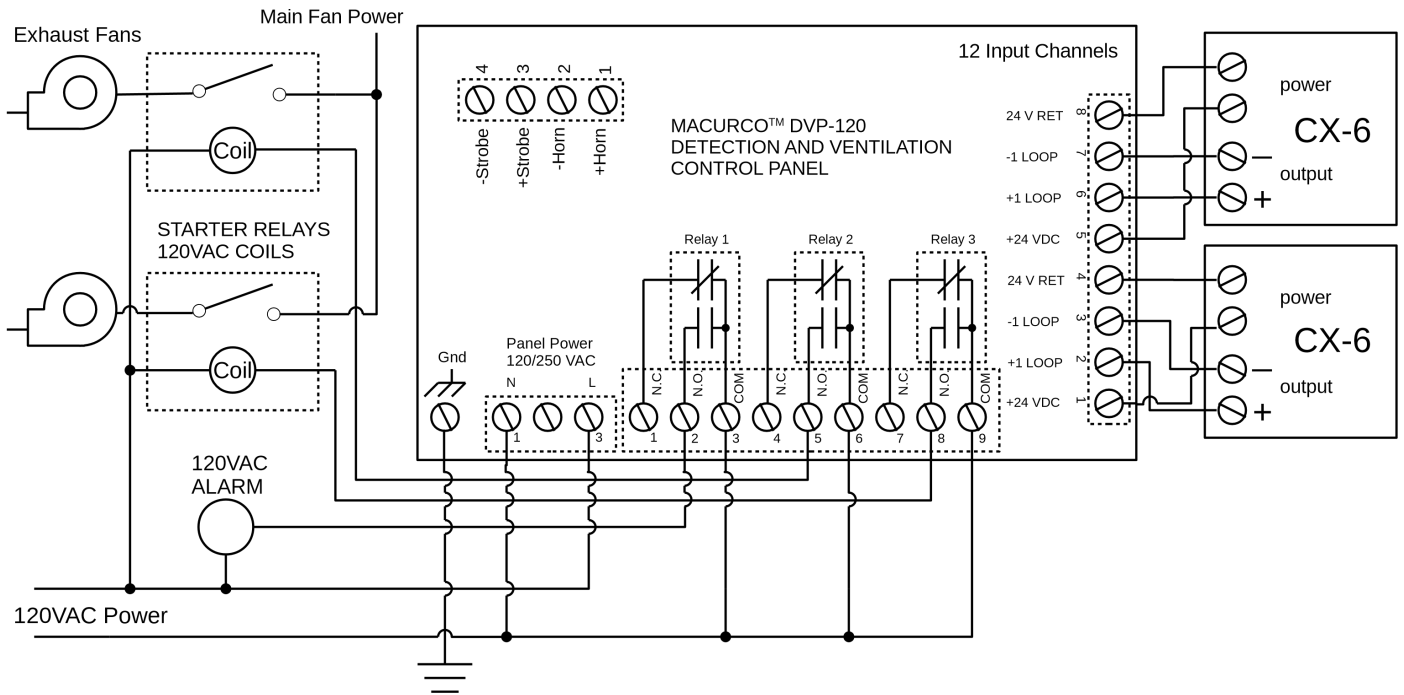


Figure 3-7 6-Series DVP-120 Control Panel

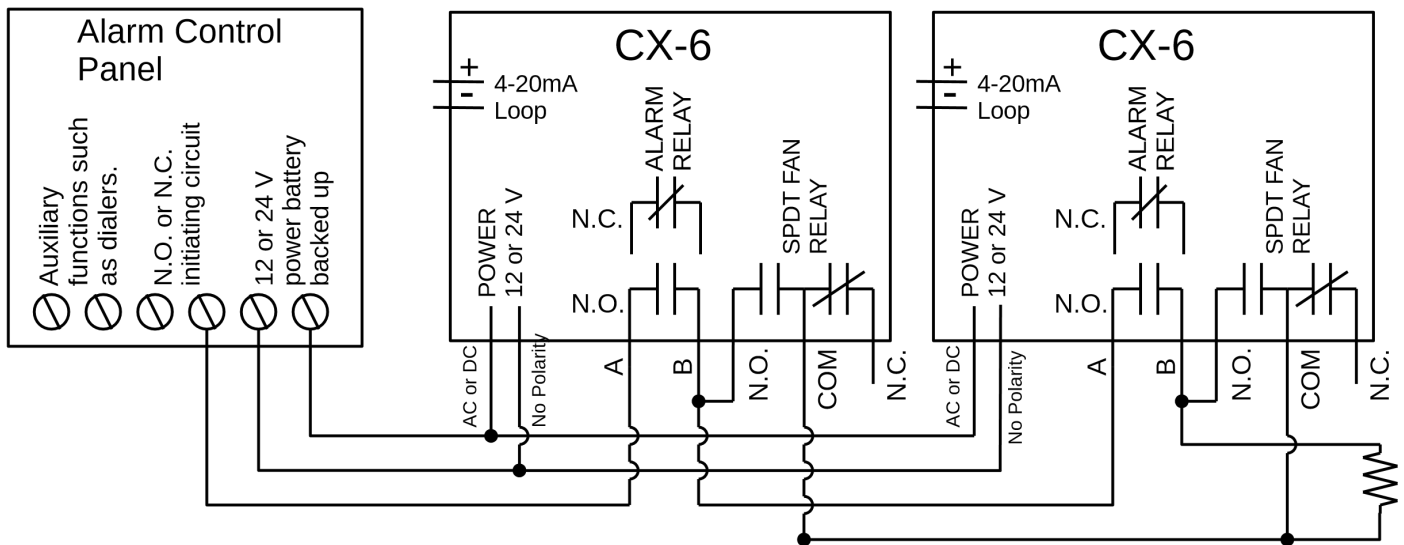


Figure 3-8 6-Series Alternate Alarm Panel

In this application (above) the Fan or primary relay is used as a low-level alarm relay. The Alarm or secondary relay is used as a supervisory relay when utilized in the normally closed configuration. The CX-6 monitors all critical functions of the unit through software diagnostics that continually test and verify its operations. If a problem is found, the unit will switch to a fail-safe/error mode or trouble condition. In this error mode the Fan\* and Alarm relays will be activated indicating the trouble condition at panel and the CX-6 display will flash the error.

\*See section 4.5.14 Select Trouble Fan Setting – “tFS” for options.

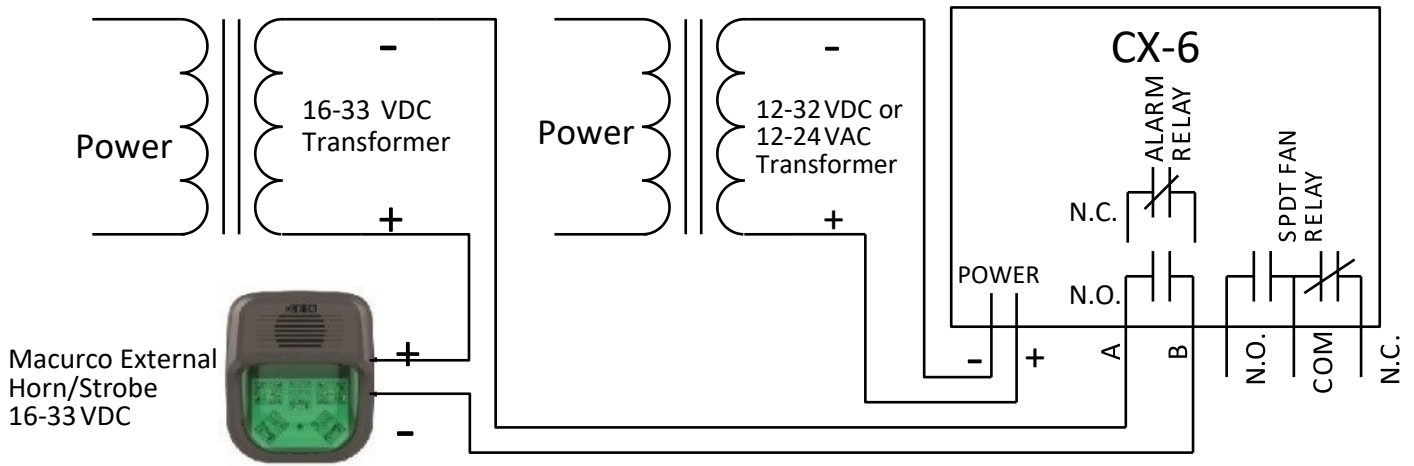


Figure 3-9 6-Series Horn & Strobe Combo Wiring

Macurco External Horn/Strobe model number is HS-X, where X represents lens color, R for red lens cover, G for green lens cover, B for blue lens cover, A for amber lens cover, C for clear lens cover. Sound pressure for Horn/Strobe model is at least 85dB at 10 feet.

### 3.2.2 12-Series Line Voltage

1. The CX-12 mounts on a 4" square (or 4x4) electrical box supplied by the contractor. Do not mount the CX-12 inside another box, unless it has good air flow through it.
2. There are two terminals for the mains power connection labeled L (line) and N (neutral). Mains connections should be done in accordance with National and Local Electrical Codes. Only qualified personnel should connect mains power to any device.
3. There are two terminals for the dry alarm relay contacts with no polarity preference. The alarm relay can switch up to 0.5 A 120 V, or 60 VA. The alarm relay is activated if gas reaches or exceeds the alarm settings. See section 4.5 Configuration "CON" for details on relay settings.
4. The alarm relay can be configured to normally open (default) (N.O.) or normally closed (N.C.) and will activate:
  - a. if either the CO or NO<sub>2</sub> gas concentration exceeds the alarm set point. It will deactivate once the gas concentration drops below the alarm set point. Note that setting both "ArS.C" and "ArS.n" to "diS" will cause the alarm relay not to engage.
  - b. during a power up test "PUt".
  - c. when a trouble condition is present.
5. The dry contact, SPDT fan relay has three terminals. The common (COM.), normally open (N.O.) and the normally closed (N.C.) contact. The fan relay can switch up to 5.0 A up to 240 VAC. See section 4.5 Configuration "CON" for details on relay settings.
6. The Fan Relay can be configured for latching or non-latching (default) when activated (when the gas concentration exceeds fan relay set point). Once latched in, power will need to be interrupted or the "TEST" button pressed to un-latch the relay condition.
7. The Fan Relay will engage if the fan setting Carbon Monoxide or Nitrogen Dioxide concentration is exceeded for longer than the Fan Relay Delay time. Unless it is configured for latching, the fan relay will disengage once both of these conditions have been met:
  - Carbon Monoxide and Nitrogen Dioxide concentrations have dropped below fan setting
  - Fan Relay Run time has been exceededNote that the "disable" fan setting will cause the fan relay to not engage. The fan relay will engage in trouble fault condition (if the Trouble Fan Setting Option is set to "ON") and will disengage once trouble fault condition is cleared.
8. The Current Loop is 4 mA in clean air and 4-20 mA for 0-200ppm CO and 4-20 mA for 0-20ppm NO<sub>2</sub>. There are two terminals and polarity is marked on the connector.

**NOTE:** 22 to 12 AWG wire shall be used. Wire used shall meet the temperature range of the detector i.e. 0°F to 125° F (-18°C to 52°C).

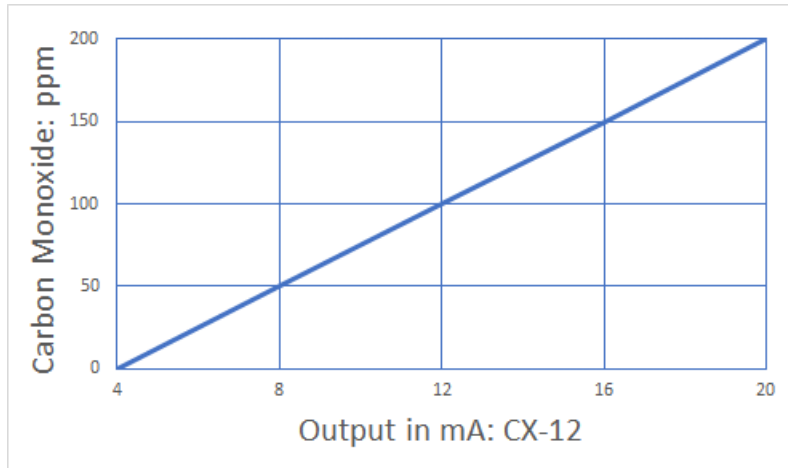


Figure 3–10 12-Series 4-20 mA CO Output diagram

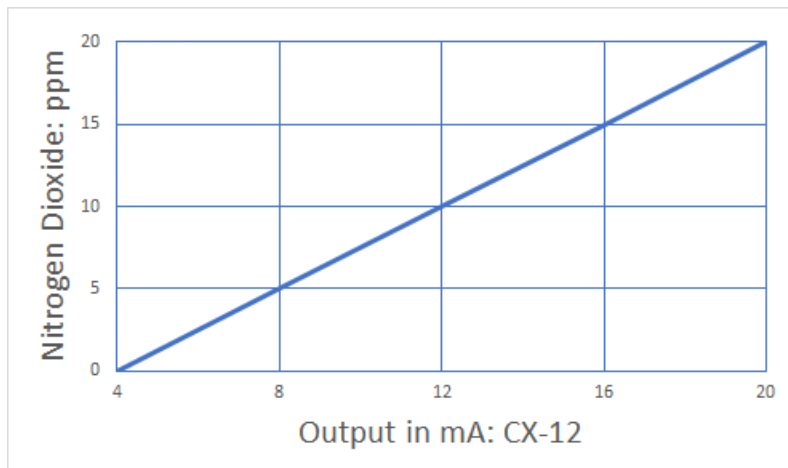


Figure 3–11 12-Series 4-20 mA NO2 Output diagram



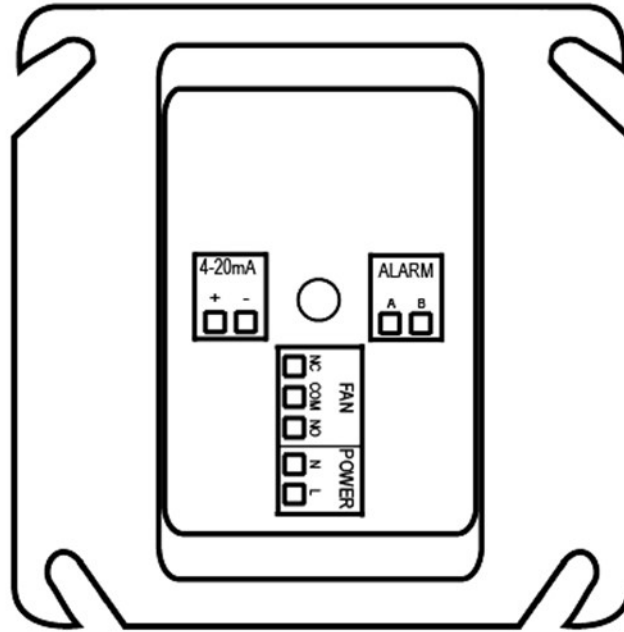


Figure 3-12 12-Series Rear View

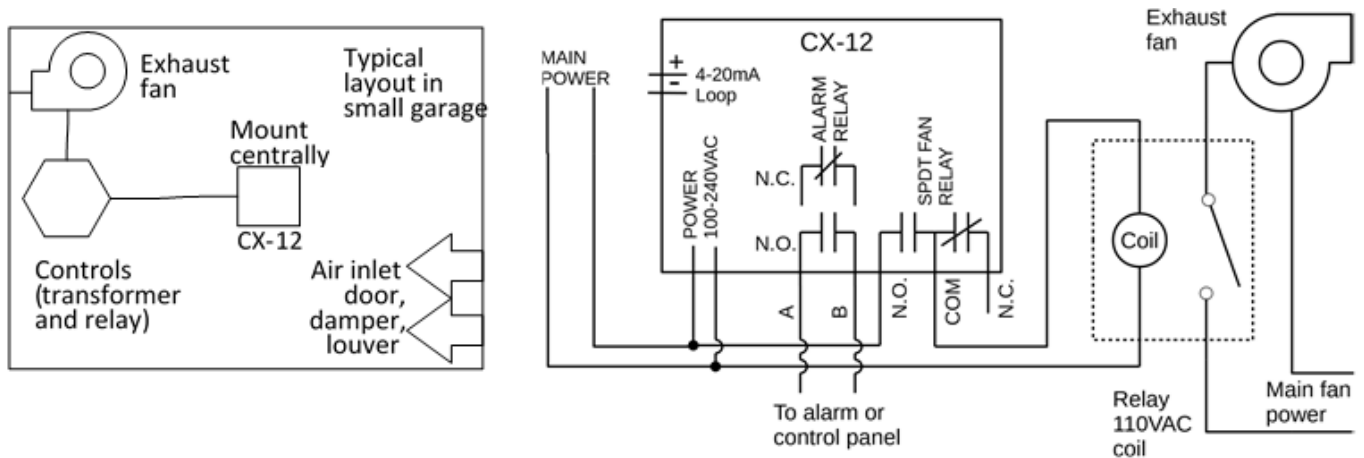


Figure 3-13 12-Series Typical Installation

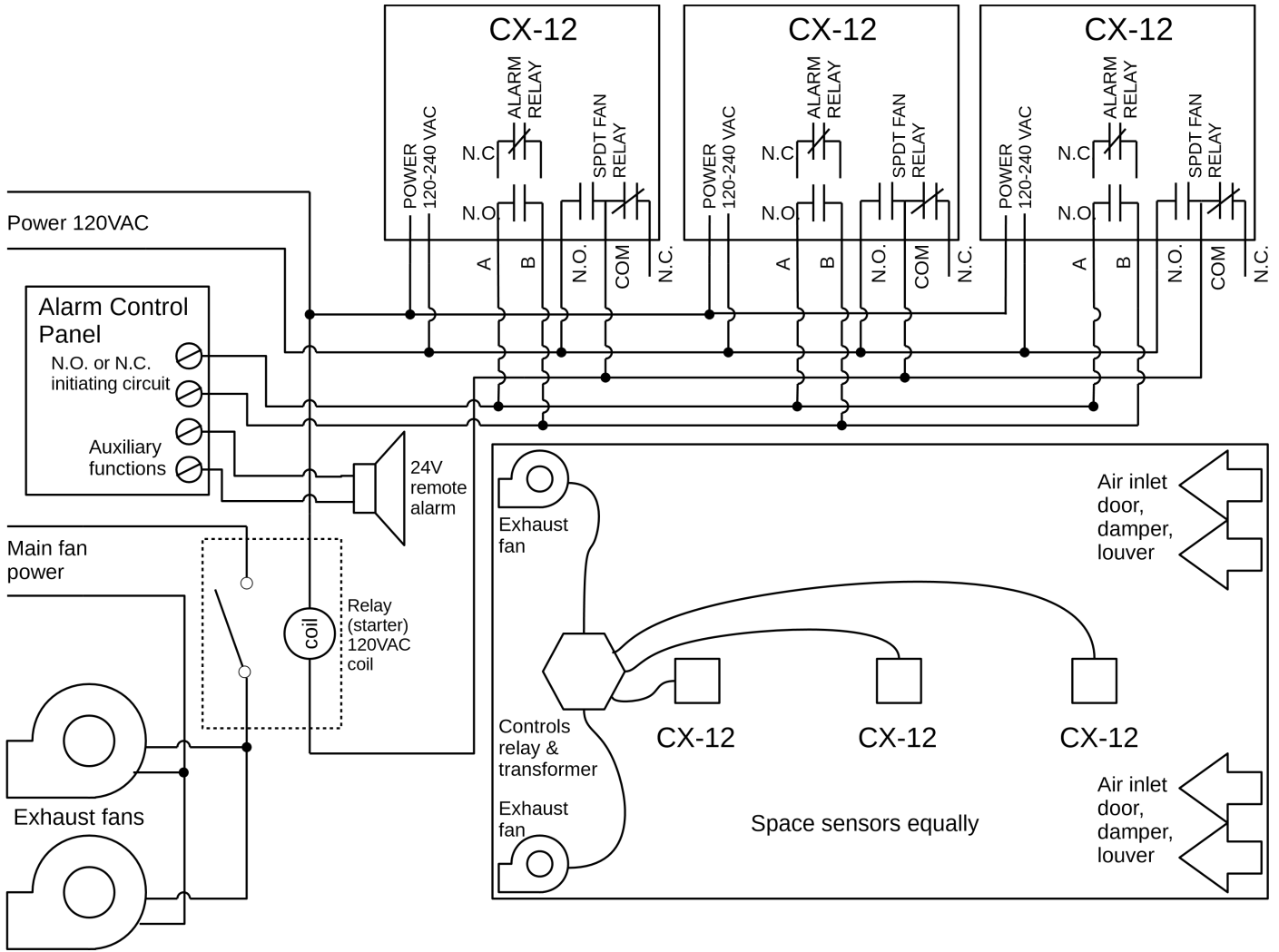


Figure 3-14 12-Series Multiple Device diagram

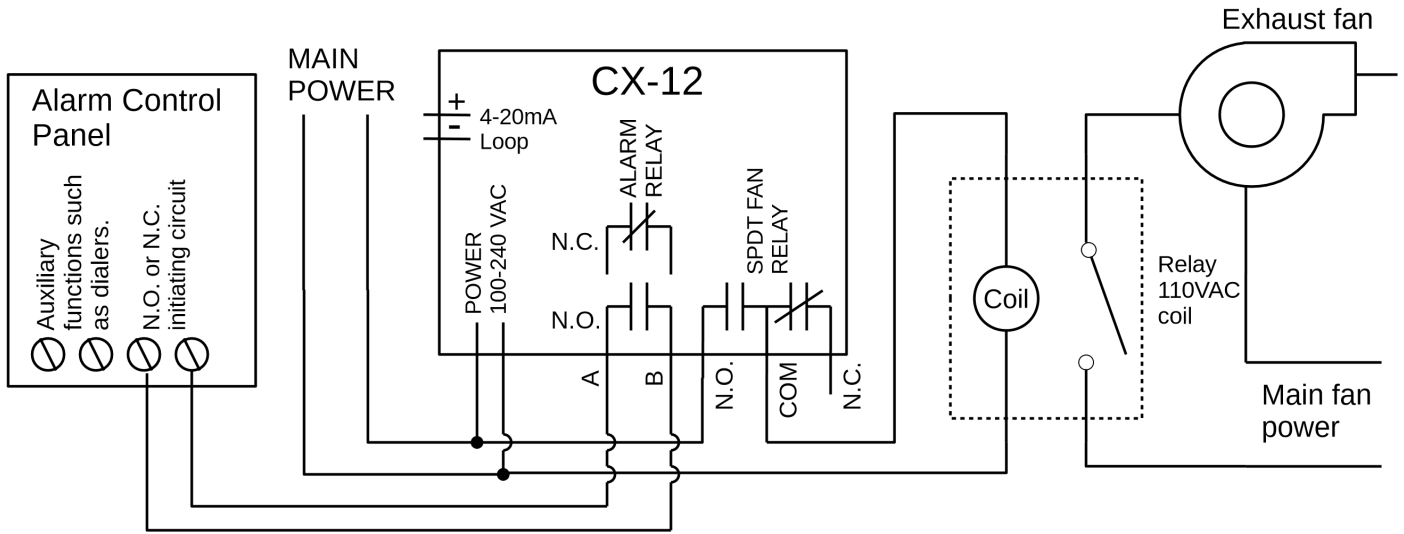


Figure 3-15 12-Series Alarm Control Panel

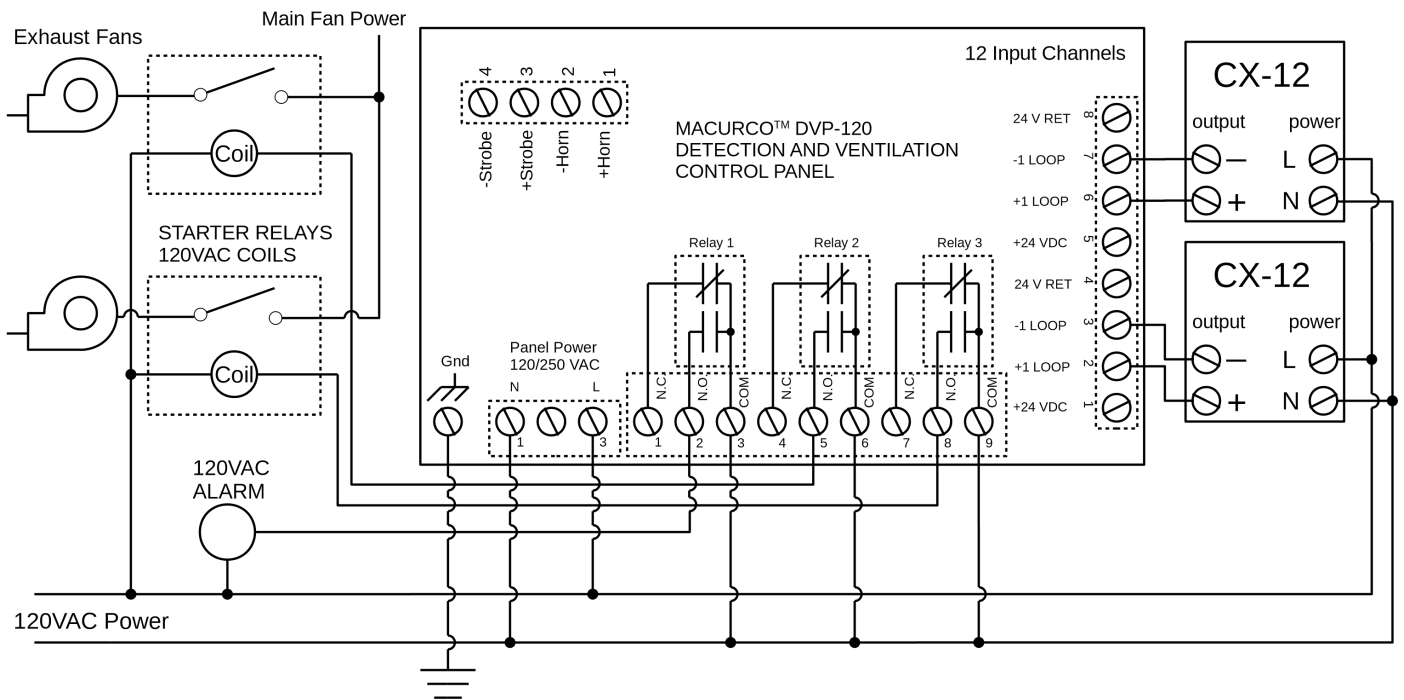


Figure 3-16 12-Series DVP-120 Control Panel

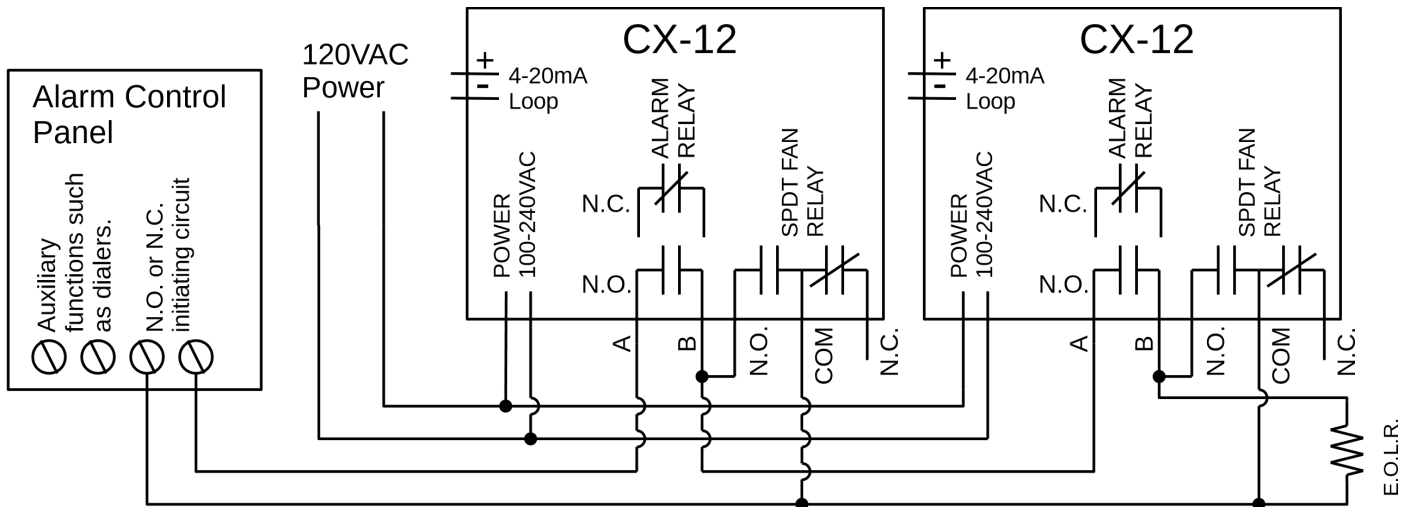


Figure 3-17 12-Series Alternate Alarm Panel

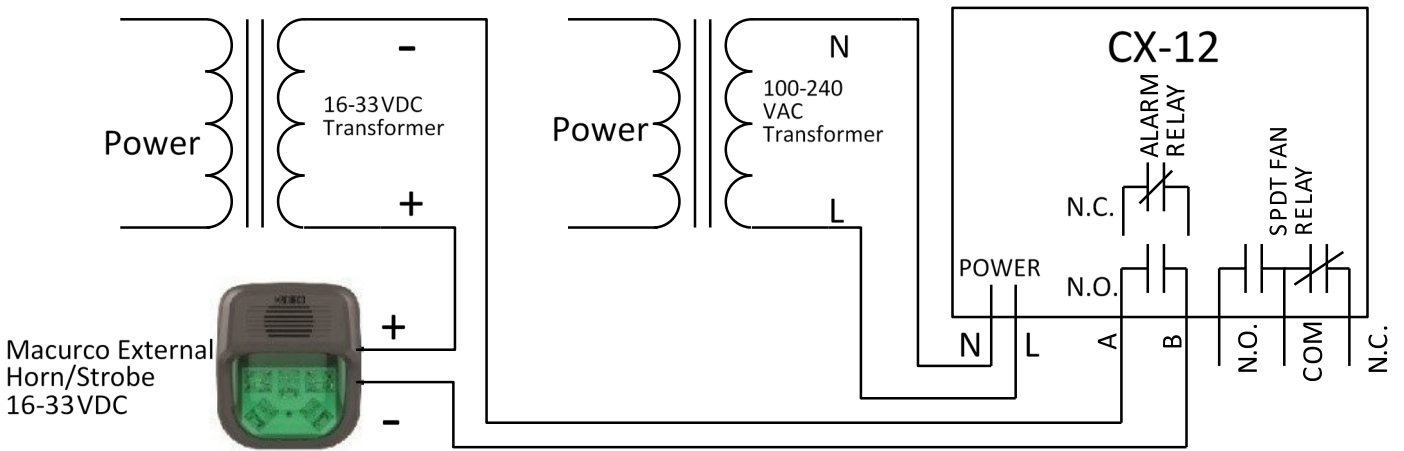


Figure 3-18 12-Series Horn & Strobe Combo Wiring

Macurco External Horn/Strobe model number is HS-X, where X represents lens color, R for red lens cover, G for green lens cover, B for blue lens cover, A for amber lens cover, C for clear lens cover. Sound pressure for Horn/Strobe model is at least 85dB at 10 feet.

### 3.3 Terminal Connection

#### 3.3.1 6-Series Low Voltage

Except for the safety ground, all field wiring is completed via modular connectors (provided). After wiring, simply plug the modular connectors into the matching connectors on the back side of the detector.

**NOTE:** 22 to 12 AWG wire shall be used. Wire used shall meet the temperature range of the detector i.e. 0°F to 125° F (-18°C to 52°C).

##### 3.3.1.1 Mains Power Connection

Connect the CX-6 to Class 2 listed power supply only. It is suggested to use a separate transformer for powering the unit or units because of possible interferences from other devices on the same power supply. Connect the CX-6 to the control cables with terminal plugs. When making connections, make sure the power is off. There are two terminals for Power: 12 to 24 VAC or 12 to 32 VDC, with no polarity preference

Ensure that the wire cannot be easily pulled from the connector. Plug the modular connection into the Fan/Power connection and ensure that it latches into the header properly.

##### 3.3.1.2 Fan Relay Connection

All of the SPDT Fan relay terminals are available at the Fan/Power modular connector. Each Fan relay terminal normally open, common and normally closed (NO, COM and NC) can accommodate a wire size 12 to 22 AWG. To install the wiring for the relays, disconnect the connector from the header. Strip the insulation of each wire back approximately 1/4 in. (6.5 mm), insert the bare wire into the terminal and tighten the screw clamp. Ensure that the wire cannot easily be pulled from the connector. Plug the modular connection into the Fan/Power connection and ensure that it latches into the header properly.

##### 3.3.1.3 Alarm Relay Connection

The external alarm connections (A and B) are available at the Alarm modular connector. There is no polarity for these connections. To install the wiring for the alarm contacts, disconnect the connector from the header on the detector. Strip the insulation of each wire back approximately 1/4 in. (6.5 mm), insert the bare wire into the terminal and tighten the screw clamp. Ensure that the wire cannot easily be pulled from the connector. When the wires are connected, seat the modular connector into the header ensuring that the latch engages.

##### 3.3.1.4 4-20 mA Signal Connection

The positive and negative 4-20mA signal connections (+ and -) are available at the 4-20mA modular connector, a 2-position connector. To install the wiring for the 4-20 mA contacts, disconnect the connector from the header on the detector. Strip the insulation of each wire back approximately 1/4 in. (6.5 mm), insert the bare wire into the terminal and tighten the screw clamp. Ensure that the wire cannot easily be pulled from the connector. When the wires are connected, seat the modular connector into the header ensuring that the latch engages.

### 3.3.2 12-Series Line Voltage

With the exception of the safety ground, all field wiring is completed via modular connectors (provided). After wiring, simply plug the modular connectors into the matching connectors on the back side of the detector.

**NOTE:** 22 to 12 AWG wire shall be used. Wire used shall meet the temperature range of the detector i.e. 0°F to 125° F (-18°C to 52°C).

#### 3.3.2.1 Power Connection

Mains connections should be done in accordance with National and Local Electrical Codes. Only qualified personnel should connect Mains power to any device. Macurco recommends a minimum wire size of AWG18 and the wire insulator must be rated for 140°F (60°C) service. The modular connector will accept wire from 12 to 22 AWG.

The safety ground wire should be secured to the ground screw of the metal electrical box. Tighten the screw and make sure the wire is snug. Ensure that the wire cannot be pulled out from under the screw.

The Line (L) and Neutral (N) wires should be stripped 1/4 in. (6.5 mm), insert the wire into the "L" and "N" wire positions of the modular Fan/Power connector and tighten the screw clamp. Ensure that the wire cannot be easily pulled from the connector. Plug the modular connection into the Fan/Power connection and ensure that it latches into the header properly.

#### 3.3.2.2 Fan Relay connection

All of the SPDT Fan relay terminals are available at the Fan/Power modular connector. Each Fan relay terminal normally open, common and normally closed (NO, COM and NC) can accommodate a wire size 12 to 22 AWG. To install the wiring for the relays, disconnect the connector from the header. Strip the insulation of each wire back approximately 1/4 in. (6.5 mm), insert the bare wire into the terminal and tighten the screw clamp. Ensure that the wire cannot easily be pulled from the connector. Plug the modular connection into the Fan/Power connection and ensure that it latches into the header properly.

#### 3.3.2.3 Alarm Relay Connection

The external alarm connections (A and B) are available at the Alarm modular connector. There is no polarity for these connections. To install the wiring for the alarm contacts, disconnect the connector from the header on the detector. Strip the insulation of each wire back approximately 1/4 in. (6.5 mm), insert the bare wire into the terminal and tighten the screw clamp. Ensure that the wire cannot easily be pulled from the connector. When the wires are connected, seat the modular connector into the header ensuring that the latch engages.

#### 3.3.2.4 4-20 mA Signal connection

The positive and negative 4-20mA signal connections (+ and -) are available at the 4-20mA modular connector, a 2-position connector. To install the wiring for the 4-20 mA contacts, disconnect the connector from the header on the detector. Strip the insulation of each wire back approximately 1/4 in. (6.5 mm), insert the bare wire into the terminal and tighten the screw clamp. Ensure that the wire cannot easily be pulled from the connector. When the wires are connected, seat the modular connector into the header ensuring that the latch engages.

## 4 Operations

### 4.1 Power up

The CX-xx cycles through an internal self-test cycle for the first minute that it is powered. The unit will execute the test cycle any time power is dropped and reapplied (i.e. power failure).

During the self-test cycle the unit will:

- Display the firmware version number, then count down from 60 to 0 (if the display setting is “On”).
- The alarm relay will be activated for 10 seconds and the fan relay for 60 seconds during the power-up cycle (if PUt is ON).
- The indicator light (LED) will flash green during the self-test cycle.
- 4-20mA will ramp up to 16mA during the warmup (if 420 is ON and PUt is ON).
- At the end of the 1-minute cycle, the unit will take its first sample of the air and the indicator light will turn solid green.

### 4.2 Display turned “On”

With the display (“dSP”) setting turned “On”, the detector will operate as follows:

**Clean Air** – The CX-xx will flash between the current concentration of CO ppm and the current concentration of NO<sub>2</sub> ppm. The CO reading will start with a “C” and the NO<sub>2</sub> reading will start with an “n”.

**Fan Relay Level** – When either the CO or NO<sub>2</sub> concentration reaches the Fan Relay setting and the Fan Run Delay “Frd” period has elapsed, the display will flash between “FAn” and the current concentration of gases. The sequence of display when the Fan Relay is activated is: “Fan”, CO (“CXXX”) reading, NO<sub>2</sub> reading (“n Y.Y”).

**Alarm Relay Level** – When either the CO or NO<sub>2</sub> concentration reaches the Alarm Relay setting, the display will flash between “ALr” and the current concentration of gases. The sequence of display when the Alarm Relay is activated is: “ALr”, CO Reading (“CXXX”), NO<sub>2</sub> reading (“n Y.Y”). The buzzer will sound indicating “Alarm” if the buzzer is turned “On”.

**Trouble** – When the device is in a trouble state, the display will display the “t” Error code (t001 for example) and the Alarm Relay will activate. If the Trouble Fan Setting is enabled, the Fan Relay will activate. See Section 5.1.2 Trouble Codes and Section 4.5.14 Select Trouble Fan Setting – “tFS”

NOTE: Trouble states related to the CO and NO<sub>2</sub> sensors are represented by different “t” Error codes. So, if an error exists for the CO or NO<sub>2</sub> sensor only, the display will alternate between the trouble code for the sensor in the trouble state and the gas reading for the sensor in the normal state.

**Calibration Due** – When the Calibration Period functionality is enabled and the detector is within 1 month of the calibration period, the Calibration Due message will be displayed. Calibration Due is indicated by “CdUE” (for CO Sensor) and “ndUE” (for NO<sub>2</sub> sensor). When both CO and NO<sub>2</sub> sensors are in Calibration Due, the display sequence will be “CdUE”, CO reading, “ndUE”, NO<sub>2</sub> reading.

Calibration Due is resolved only with a successful field calibration.

NOTE: If a Fan or Alarm Relay is activated during Calibration Due, ‘Fan’ or ‘ALr’ will be appended at the end of the display sequence for calibration due.

### 4.3 Display turned “Off”

With the display (“dSP”) setting turned “OFF”, the detector will operate as follows:

**Clean Air** –The display does not show the CO or NO<sub>2</sub> concentration. Only the Power indicator light on will be on.

**Fan Relay Level** – When the CO or NO<sub>2</sub> concentration reaches the Fan Relay setting and the Fan Run Delay “Frd” period has elapsed, the display will continuously show “FAn”.

**Alarm Relay Level** – The display does not show the CO or NO<sub>2</sub> concentration but will show “ALr” when the Alarm relay is activated. The buzzer will sound indicating “Alarm” if the buzzer is turned “On”.

**Trouble** –When the device is in a trouble state, the display will display the “t” Error code (t001 for example) and the Alarm Relay will activate. If the Trouble Fan Setting is enabled, the Fan relay will switch activating the relay. See Section 5.1.2 Trouble Codes and Section 4.5.14 Select Trouble Fan Setting – “tFS”.

**Calibration Due** – When the Calibration Period functionality is enabled and the detector is within 1 month of the calibration period, the Calibration Due message will be displayed. Calibration Due is indicated by “CdUE” (for CO Sensor) and “ndUE” (for NO<sub>2</sub> sensor). When both CO and NO<sub>2</sub> sensor are in Calibration Due, the display sequence will be “CdUE”, “ndUE”.

Calibration Due is resolved only with a successful field calibration.

NOTE: If a Fan or Alarm Relay is activated during Calibration Due, ‘Fan’ or ‘ALr’ will be appended at the end of the display sequence.

### 4.4 4-20mA Loop

In High Mode “High”, the output will correspond to the higher output of the two sensors. For example, a CO reading of 50ppm corresponds to an output of 8mA and a NO<sub>2</sub> reading of 10ppm corresponds to an output of 12mA. The output in High Mode will be 12mA.

**NOTE:** High Mode should only be used when the detector is used as a standalone unit. Dual Mode **must** be used when the detector is connected to a Macurco DVP control panel.

In Dual Mode “dUAL”, the current fluctuates between different values when measured using an ammeter. It will represent the CO and NO<sub>2</sub> readings simultaneously by using a signal that is readable by a Macurco DVP panel.

**Clean Air** – With the 4-20 mA function turned “On” in “High” mode, and the current concentration of gases at “0” (zero), the 4-20mA loop will output 4 mA.

**Gas read** – With the 4-20 mA function turned “On” in “High” mode, the output will read between 4 mA and 20 mA depending on the current concentration of gases.

**Trouble** – With the 4-20 mA function turned “On” in “High” mode and the Trouble Fan Setting enabled, the 4-20 mA loop will output 1 mA or 24 mA depending on the Trouble condition. See Section 5.1 On-Board Diagnostics.



### 4.5 Configuration “CON”

To change the settings, remove the Philips screw on the front of the CX-xx. Pull off the front cover of the unit. Locate the MENU and ENTER buttons on the top left of the board.

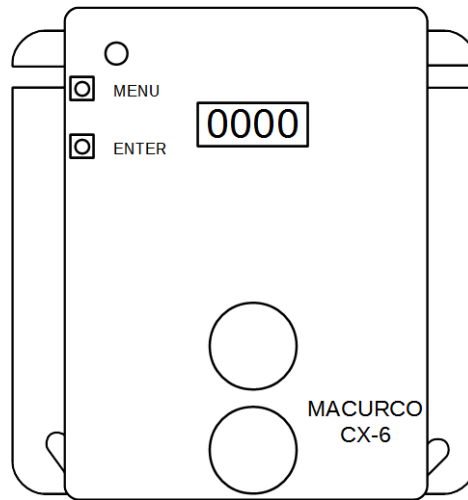


Figure 4–1 - Board View

#### 4.5.1 Default – Factory Settings

The CX-xx comes pre-programmed with the following default settings:

Setting Description	Display	Default Setting
Power Up Test	PUt	On
Display	dSP	On
Buzzer	bUZ	On
CO Alarm Relay Setting	ArS.C	200
NO <sub>2</sub> Alarm Relay Setting	ArS.n	5
Alarm Relay Configuration	Arc	nO
CO Fan Relay Setting	FrS.C	35
NO <sub>2</sub> Fan Relay Setting	FrS.n	2.5
Fan Relay Delay	Frd	3
Fan Relay Minimum Runtime	Frr	0
Fan Relay Latching	FrL	OFF
Trouble Fan Setting	tFS	OFF
4-20 mA	420	bAS
4-20 mA mode	420.n	dUAL
CO Calibration Period	CAL.C	diS
NO <sub>2</sub> Calibration Period	CAL.n	diS

To reset the device to factory settings, see section 4.5.2 Select Default Configuration – “dEF”.

#### 4.5.2 Select Default Configuration – “dEF”

Available options are “YES”, “nO”.

**NOTE:** This menu cannot be changed when the CX-xx is in calibration due or calibration overdue. (Refer to Calibration Period – “CAL” for information on calibration due and calibration overdue.)

To select the Default Configuration (this will reset the device to its default settings), in normal mode:

1. Push the **Next** button to get to “Con” or the Configuration menu.
2. Push the **Enter** button to enter the Con menu.
3. The first selection is the “dEF” or Default setting. Push **Enter**.
4. If it is already in Default configuration, “YES” will be displayed and there will be no available action. If it is not already in Default configuration, “nO” will be displayed.
5. Push **Next** to change it to “YES” (display will begin flashing).
6. Push **Enter** to confirm resetting the device to its default settings (display will stop flashing).
7. Push **Enter** once more to return to the configuration menu.
8. Push **Next** until “End” is displayed.
9. Push **Enter** to return to normal operation.

#### 4.5.3 Select Power-Up Test Setting – “PUt”

Available options are “On” (default), “OFF”.

To select the Power Up Test Configuration, in normal mode:

1. Push the **Next** button to get to “Con” or the Configuration menu.
2. Push the **Enter** button to enter the Con menu.
3. Push **Next** 1 time to get to “PUt” or Power Up Test Configuration.
4. Push **Enter**. The display will show the current setting.
5. Push **Next** to cycle through the available settings (display will begin flashing).
6. Push **Enter** to confirm the new setting (display will stop flashing).
7. Push **Enter** once more to return to the configuration menu.
8. Push **Next** until “End” is displayed.
9. Push **Enter** to return to normal operation.

#### 4.5.4 Select Display Configuration – “dSP”

Available options are “On” (default), “OFF”.

To select the Display Configuration, in normal mode:

1. Push the **Next** button to get to “Con” or the Configuration menu.
2. Push the **Enter** button to enter the Con menu.
3. Push **Next** 2 times to get to “dSP” or Display Configuration.
4. Push **Enter**. The display will show the current setting.
5. Push **Next** to cycle through the available settings (display will begin flashing).
6. Push **Enter** to confirm the new setting (display will stop flashing).
7. Push **Enter** once more to return to the configuration menu.
8. Push **Next** until “End” is displayed.
9. Push **Enter** to return to normal operation.

#### 4.5.5 Select Buzzer Configuration – “bUZ”

Available options are “On” (default), “OFF”.

To select the Buzzer Configuration, in normal mode:

1. Push the **Next** button to get to “Con” or the Configuration menu.
2. Push the **Enter** button to enter the Con menu.
3. Push **Next** 3 times to get to “bUZ” or Buzzer setting.
4. Push **Enter**. The display will show the current setting.
5. Push **Next** to cycle through the available settings (display will begin flashing).
6. Push **Enter** to confirm the new setting (display will stop flashing).
7. Push **Enter** once more to return to the configuration menu.
8. Push **Next** until “End” is displayed.
9. Push **Enter** to return to normal operation.

#### 4.5.6 Select Alarm Relay Setting for CO – “ArS.C”

Available options are “diS”, 50, 100, 150, 200 (default).

To select the Alarm Relay Setting for CO, in normal mode:

1. Push the **Next** button to get to “Con” or the Configuration menu.
2. Push the **Enter** button to enter the Con menu.
3. Push **Next** 4 times to get to “ArS.C” or Alarm Relay Setting for CO.
4. Push **Enter**. The display will show the current setting.
5. Push **Next** to cycle through the available settings (display will begin flashing).
6. Push **Enter** to confirm the new setting (display will stop flashing).
7. Push **Enter** once more to return to the configuration menu.
8. Push **Next** until “End” is displayed.
9. Push **Enter** to return to normal operation.

#### 4.5.7 Select Alarm Relay Setting for NO<sub>2</sub> – “ArS.n”

Available options are “diS”, 1.0, 2.0, 3.0, 4.0, 5.0 (default), 6.0, 7.0, 8.0, 9.0, 10.0, 11.0, 12.0, 13.0, 14.0, 15.0, 16.0, 17.0, 180.0, 19.0, 20.0.

To select the Alarm Relay Setting for NO<sub>2</sub>, in normal mode:

1. Push the **Next** button to get to “Con” or the Configuration menu.
2. Push the **Enter** button to enter the Con menu.
3. Push **Next** 5 times to get to “ArS.C” or Alarm Relay Setting for NO<sub>2</sub>.
4. Push **Enter**. The display will show the current setting.
5. Push **Next** to cycle through the available settings (display will begin flashing).
6. Push **Enter** to confirm the new setting (display will stop flashing).
7. Push **Enter** once more to return to the configuration menu.
8. Push **Next** until “End” is displayed.
9. Push **Enter** to return to normal operation.

#### 4.5.8 Select Alarm Relay Configuration – “Arc”

Available options are “nO” (default), “nC”.

To select the Alarm Relay Configuration, in normal mode:

1. Push the **Next** button to get to “Con” or the Configuration menu.
2. Push the **Enter** button to enter the Con menu.
3. Push **Next** 6 times to get to “Arc” or Alarm Relay Configuration.
4. Push **Enter**. The display will show the current setting.
5. Push **Next** to cycle through the available settings (display will begin flashing).
6. Push **Enter** to confirm the new setting (display will stop flashing).
7. Push **Enter** once more to return to the configuration menu.
8. Push **Next** until “End” is displayed.
9. Push **Enter** to return to normal operation.

#### 4.5.9 Select Fan Relay Setting for CO – “FrS.C”

Available options are “diS”, 15, 25, 35 (default), 50, 100.

To select the Fan Relay Setting for CO, in normal mode:

1. Push the **Next** button to get to “Con” or the Configuration menu.
2. Push the **Enter** button to enter the Con menu.
3. Push **Next** 7 times to get to “FrS.C” or Fan Relay Setting for CO.
4. Push **Enter**. The display will show the current setting.
5. Push **Next** to cycle through the available settings (display will begin flashing).
6. Push **Enter** to confirm the new setting (display will stop flashing).
7. Push **Enter** once more to return to the configuration menu.
8. Push **Next** until “End” is displayed.
9. Push **Enter** to return to normal operation.

#### 4.5.10 Select Fan Relay Setting for NO2 – “FrS.n”

Available options are “diS”, 0.5, 0.7, 1.0, 1.2, 1.5, 1.7, 2.0, 2.2, 2.5 (default), 2.7, 3.0, 3.2, 3.5, 3.7, 4.0, 4.2, 4.5, 4.7, 5.0.

To select the Fan Relay Setting for NO2, in normal mode:

1. Push the **Next** button to get to “Con” or the Configuration menu.
2. Push the **Enter** button to enter the Con menu.
3. Push **Next** 8 times to get to “FrS.n” or Fan Relay Setting for NO2.
4. Push **Enter**. The display will show the current setting.
5. Push **Next** to cycle through the available settings (display will begin flashing).
6. Push **Enter** to confirm the new setting (display will stop flashing).
7. Push **Enter** once more to return to the configuration menu.
8. Push **Next** until “End” is displayed.
9. Push **Enter** to return to normal operation.

#### 4.5.11 Select Fan Relay Delay Setting – “Frd”

Available options are 0, 1, 3 (default), 5, 10.

To select the Fan Relay Delay Setting, in normal mode:

1. Push the **Next** button to get to “Con” or the Configuration menu.
2. Push the **Enter** button to enter the Con menu.
3. Push **Next** 9 times to get to “Frd” or Fan Relay Delay Setting.
4. Push **Enter**. The display will show the current setting.
5. Push **Next** to cycle through the available settings (display will begin flashing).
6. Push **Enter** to confirm the new setting (display will stop flashing).
7. Push **Enter** once more to return to the configuration menu.
8. Push **Next** until “End” is displayed.
9. Push **Enter** to return to normal operation.

#### 4.5.12 Select Fan Relay Minimum Runtime Setting – “Frr”

Available options are 0 (default), 3, 5, 10, 15.

To select the Fan Relay Minimum Runtime Setting, in normal mode:

1. Push the **Next** button to get to “Con” or the Configuration menu.
2. Push the **Enter** button to enter the Con menu.
3. Push **Next** 10 times to get to “Frr” or Fan Relay Minimum Runtime Setting.
4. Push **Enter**. The display will show the current setting.
5. Push **Next** to cycle through the available settings (display will begin flashing).
6. Push **Enter** to confirm the new setting (display will stop flashing).
7. Push **Enter** once more to return to the configuration menu.
8. Push **Next** until “End” is displayed.
9. Push **Enter** to return to normal operation.

#### 4.5.13 Select Fan Relay Latching Setting – “FrL”

Available options are “On”, “OFF” (default).

To select the Fan Relay Latching Setting, in normal mode:

1. Push the **Next** button to get to “Con” or the Configuration menu.
2. Push the **Enter** button to enter the Con menu.
3. Push **Next** 11 times to get to “FrL” or Fan Relay Latching Setting.
4. Push **Enter**. The display will show the current setting.
5. Push **Next** to cycle through the available settings (display will begin flashing).
6. Push **Enter** to confirm the new setting (display will stop flashing).
7. Push **Enter** once more to return to the configuration menu.
8. Push **Next** until “End” is displayed.
9. Push **Enter** to return to normal operation.

#### 4.5.14 Select Trouble Fan Setting – “tFS”

Available options are “On”, “OFF” (default).

To select the Trouble Fan Setting, in normal mode:

1. Push the **Next** button to get to “Con” or the Configuration menu.
2. Push the **Enter** button to enter the Con menu.
3. Push **Next** 12 times to get to “tFS” or Trouble Fan Setting.
4. Push **Enter**. The display will show the current setting.
5. Push **Next** to cycle through the available settings (display will begin flashing).
6. Push **Enter** to confirm the new setting (display will stop flashing).
7. Push **Enter** once more to return to the configuration menu.
8. Push **Next** until “End” is displayed.
9. Push **Enter** to return to normal operation.

#### 4.5.15 Select 4-20mA Output Setting – “420”

Available options are “bAS” (default), “EnH”, “OFF”.

**NOTE:** If the calibration period feature is used and the detector is connected to a panel, the calibration period information is communicated to the Macurco DVP panel only when “420” is set to “EnH”. Please refer to the Macurco DVP Panel to confirm if the calibration period feature is supported by the panel. If calibration period feature is not supported by Macurco DVP panel, ‘bAS’ must be the selected output setting.

To select the 4-20mA Output Setting, in normal mode:

1. Push the **Next** button to get to “Con” or the Configuration menu.
2. Push the **Enter** button to enter the Con menu.
3. Push **Next** 13 times to get to “420” or 4-20mA Output Setting.
4. Push **Enter**. The display will show the current setting.
5. Push **Next** to cycle through the available settings (display will begin flashing).
6. Push **Enter** to confirm the new setting (display will stop flashing).
7. Push **Enter** once more to return to the configuration menu.
8. Push **Next** until “End” is displayed.
9. Push **Enter** to return to normal operation.

#### 4.5.16 Select 4-20mA Mode – “420.n”

Available options are “dUAL” (default), “High”.

**NOTE:** Dual Mode must be used when the detector is connected to a Macurco DVP control panel. High Mode should only be used when the detector is used as a standalone unit.

To select the 4-20mA Mode, in normal mode:

1. Push the **Next** button to get to “Con” or the Configuration menu.
2. Push the **Enter** button to enter the Con menu.
3. Push **Next** 14 times to get to “420.n” or 4-20mA Mode.
4. Push **Enter**. The display will show the current setting.
5. Push **Next** to cycle through the available settings (display will begin flashing).
6. Push **Enter** to confirm the new setting (display will stop flashing).
7. Push **Enter** once more to return to the configuration menu.
8. Push **Next** until “End” is displayed.
9. Push **Enter** to return to normal operation.

#### 4.5.17 Select Calibration Period for CO Sensor – “CAL.C”

The value selected for Calibration Period is the number of months. The CX-xx indicates a “calibration due” when it is within 1 month of the calibration period, and a “calibration overdue” when the detector has reached or exceeded the calibration period. The Calibration Period setting cannot be changed if the CX-xx is indicating “calibration due” or “calibration overdue”.

Available options are “diS” (default), 3, 6, 12, 24.

To select the Calibration Period for the CO sensor, in normal mode:

1. Push the **Next** button to get to “Con” or the Configuration menu.
2. Push the **Enter** button to enter the Con menu.
3. Push **Next** 15 times to get to “CAL.C”.
4. Push **Enter**. The display will show the current setting.
5. Push **Next** to cycle through the available settings (display will begin flashing).
6. Push **Enter** to confirm the new setting (display will stop flashing).
7. Push **Enter** once more to return to the configuration menu.
8. Push **Next** until “End” is displayed.
9. Push **Enter** to return to normal operation.

#### 4.5.18 Select Calibration Period for NO<sub>2</sub> Sensor – “CAL.n”

The value selected for Calibration Period is the number of months. The CX-xx indicates a “calibration due” when it is within 1 month of the calibration period, and a “calibration overdue” when the detector has reached or exceeded the calibration period. The Calibration Period setting cannot be changed if the CX-xx is indicating “calibration due” or “calibration overdue”.

Available options are “diS” (default), 3, 6, 12, 24.

To select the Calibration Period for the NO<sub>2</sub> sensor, in normal mode:

1. Push the **Next** button to get to “Con” or the Configuration menu.
2. Push the **Enter** button to enter the Con menu.
3. Push **Next** 16 times to get to “CAL.n”.
4. Push **Enter**. The display will show the current setting.
5. Push **Next** to cycle through the available settings (display will begin flashing).
6. Push **Enter** to confirm the new setting (display will stop flashing).
7. Push **Enter** once more to return to the configuration menu.
8. Push **Next** until “End” is displayed.
9. Push **Enter** to return to normal operation.



## 5 Troubleshooting

### 5.1 On-Board Diagnostics

The CX-xx monitors all critical functions of the unit through software diagnostics that continuously test and verify unit operations. If a problem is found, the unit will switch to a fail-safe/error mode or trouble condition.

In this error mode, the Alarm relay will be activated, the 4-20 mA current loop will go to 24 mA, the unit will display the error code, the green status indicator LED light will flash, and the buzzer will chirp intermittently. The Fan relay will also engage if the Trouble Fan Setting Option is set to “On”. This is a safety precaution.

To clear this mode, simply turn off power to the unit for a few seconds or push the ENTER/TEST button (inside the unit). This will cause the unit to restart the 1-minute self-test cycle.

#### 5.1.1 4-20mA troubleshooting

NOTE: The output from the 4-20ma terminals is steady only when the 4-20mA mode is set to high mode. In dual mode, fluctuating output will be observed when measured using an ammeter.

- 0 mA is most likely a connection problem
- 1 mA indicates Calibration Overdue (if 4-20mA is configured to ‘EnH’)
- 4-20 mA is normal gas reading range (0-200 ppm CO, 0-20 ppm NO<sub>2</sub>)
- 24 mA indicates a Trouble condition

#### 5.1.2 Trouble Codes

If the detector encounters an error, a trouble code is displayed. The trouble code is displayed as “tXXX” where XXX is a unique trouble code for each sensor. If a trouble code is larger than 800, it is for CO. If it is smaller than 800, it is for NO<sub>2</sub>. The following table shows the trouble codes for the CO and NO<sub>2</sub> sensors.

CO Trouble Code	NO <sub>2</sub> Trouble Code	Description
t801	t001	Sensor Missing
t802	t002	Temperature Compensation Failed
t804	t004	Bad EEPROM Checksum
t810	t010	Bad EEPROM
t820	t020	Bad Calibration
t840	t040	Never Factory Calibrated
t880	t080	Read ADC Failed
t900	t100	Sensor Under Range
tA00	t200	Sensor Expired
tc00	t400	Calibration Overdue

Figure 5-1 – Trouble Code Table

When trouble codes exist for both sensors at the same time, the two trouble codes will be displayed alternately.

If there are multiple error codes for the same sensor existing at the same time, the displayed code will be the sum of error codes. E.g. The display will show “t003” if t001 and t002 exist at same time, “t821” if t820 and t801 exist at the same time.

If the sum for a digit (ones, tens or hundreds) is greater than 9, it will display the corresponding hexadecimal representation of the sum. The following table shows the hexadecimal representation for numbers from 10 to 15.

Decimal Number	Hexadecimal Representation
10	A
11	b
12	c
13	d
14	E
15	F

Figure 5-2 - Hexadecimal Conversion Table

For example, if t040 and t080 exists at the same time then it displays “t0c0” because 8 + 4 equals 12 and the hexadecimal representation of 12 is “c”.

Note that in tXXX first digit after ‘t’ is 8 for CO sensor and 0 for NO2 sensor. Trouble codes t900, tA00 and tc00 are result of adding 1, 2 and 4 to first digit 8 used to represent CO sensor. Hence when adding up the trouble code for the CO sensor, 8 is not added twice. E.g. if t820 and t810 exist at same time displayed error code will be t830. Similarly, if tA00 and tc00 exist at the same time, then the trouble code displayed is tE00.

**NOTE:** If the error mode repeats frequently, check for continuous power and proper voltage. If power is not the problem and a unit has repeating error conditions, it may need to be returned to Macurco for service, per these User Instructions. If the error mode indicates “Sensor expired”, see section 6.1 Sensor Life Reset.

## 5.2 Sensor Poisons

The sensors in the detector are designed with extreme sensitivity to the environment. As a result, the sensing function may be deteriorated if the detector is exposed to contaminants, a direct spray from aerosols such as paints, silicone vapors, etc., or to a high density of corrosive gases (such as hydrogen sulfide, sulfur dioxide) for an extended period.

### 5.3 Sensor Expired

The CX-xx has two replaceable electrochemical sensors (one CO and one NO<sub>2</sub>). Each sensor has an expected life of two years. After two years, the “Sensor expired” signal will be activated indicating that one or both sensors have reached the end of their typical usable life. The “Sensor expired” signal will cause an error code (tA00 for CO, t200 for NO<sub>2</sub>). See Section 5.1.2 Trouble Codes.

The “Sensor expired” signal can be silenced for 48 hours by pressing the "ENTER/TEST" button or by temporarily dropping power to the unit. The “Sensor expired” signal provides the user an opportunity to test and/or calibrate the sensor assuring that it is still performing within acceptable parameters though the sensor is nearing the end of its expected life.

The silence function will continue to be available for 29 days after the CX-xx initiates the initial “Sensor expired” signal. After this 29-day period the CX-xx can no longer be silenced, and the sensor must be calibrated, and the sensor life reset, or the sensor replaced.

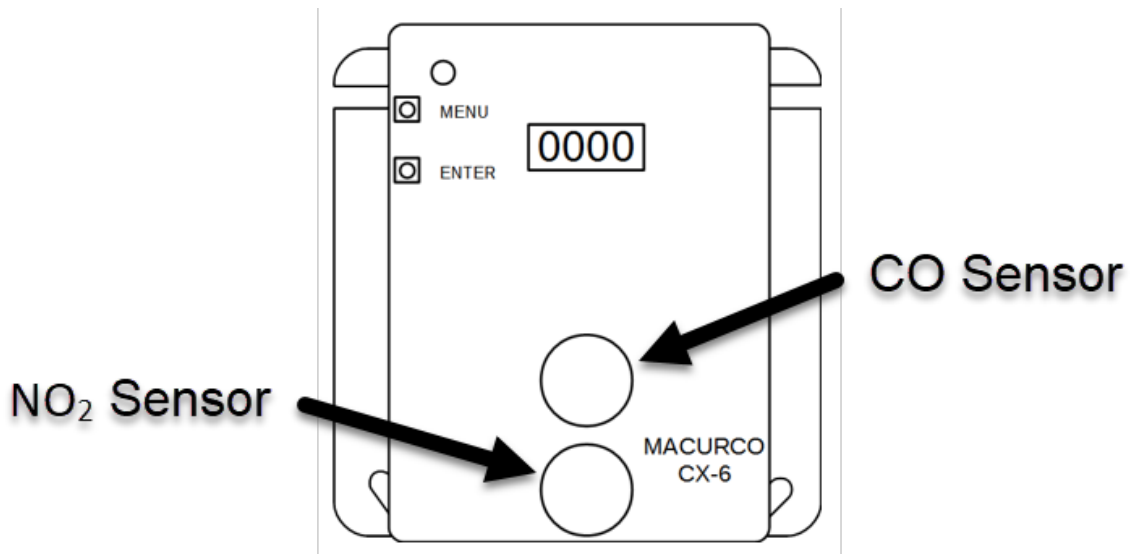


Figure 5-3 - Replacement Sensor Location

## 6 Maintenance

The CX-xx is low maintenance. The unit uses two electrochemical sensors that have a 2-year life expectancy (in normal conditions). The detector's performance should be tested regularly by using gas as detailed in the Gas Testing and Field Calibration Procedure sections.

All maintenance and repair of products manufactured by Macurco are to be performed at the appropriate Macurco manufacturing facility. Macurco does not sanction any third-party repair facilities.

### 6.1 Sensor Life Reset

To reset the sensor life,

1. Remove the Philips screw on the front of the CX-xx. Pull the front cover of the unit off.
2. From normal or warm-up mode, press **Next** 4 times to get to "SEn" or Sensor Mode.
3. Press **Enter**. The display will read "rSt.C".
  - a. To reset the CO sensor life, press **Enter**.
  - b. To reset the NO2 sensor life, press **Next** once. The display will read "rSt.n". Press **Enter**.
4. If the sensor life has already been reset, done "don" will be displayed. If it has not already been reset, "no" will be displayed. Press **Next** to change it to "YES" (flashing).
5. Press **Enter** to confirm the change (solid) and press **Enter** again to return to the "SEn" menu.
6. Press **Next** until "End" is displayed.
7. Press **Enter** to get back to normal operation. The sensor life will be reset for 2 years.

**NOTE:** Once the corresponding sensor life is reset, the unit will display calibration overdue for the corresponding sensor forcing the user to calibrate the unit before use. After a successful field calibration, the calibration overdue will be resolved, and the detector will go into normal mode.

**NOTE:** The detector does not need to be replaced when a sensor is expired. Once it displays sensor expired, the user can replace the sensor on the detector, calibrate the unit and start using it.

### WARNING

Do not disassemble unit or attempt to repair or modify any component of this instrument. This instrument contains no user serviceable parts, and substitution of components may impair product performance.

### CAUTION

Avoid the use of harsh cleaning materials, abrasives and other organic solvents. Such materials may permanently scratch the surfaces and damage the display window, labels, sensor or instrument housing. High voltage terminals (100-240VAC) are located within this detector, presenting a hazard to service technicians. Only qualified technicians should open the detector case and service the internal circuits. Ensure power is removed from the detector prior to cleaning the unit. Failure to do so may result in sickness or death.

## 6.2 Cleaning

Cleaning of the external surfaces is best carried out using a damp cloth with a mild detergent or soap. Use a vacuum cleaner with soft brush to remove dust or contamination under the cover. Do not blow out the sensor with compressed air.

## 7 Testing

### WARNING

Using a certified gas with a concentration other than the one listed for this detector when conducting a calibration verification test (bump test) will produce inaccurate readings. This means that higher levels of the gas being monitored may be present and could result in overexposure. For proper use, see supervisor or User manual, or contact Technical Support at 1-844-325-3050.

All CX-xx units are factory calibrated and 100% tested for proper operation. During normal operation the green status indicator LED light will be on steady, the fan & alarm relay will be in standby mode and the 4-20 mA output will be at 4mA (in clean air). The unit also performs a regular automatic self-test during normal operation. If the unit detects an improper voltage or inoperable component, it will default into Error mode. In this error mode, the Alarm relay will be activated, the 4-20 mA current loop will go to 24 mA, the unit will display the error code, the green status indicator LED light will flash, and the buzzer will chirp intermittently. The Fan relay will also engage if the Trouble Fan Setting Option is set to "ON".

### 7.1 Testing

#### 7.1.1 Operation Test

Check that the green CX-xx status indicator LED light is illuminated continuously. If not, do not proceed with the tests. If the unit is in error mode, contact your local representative or Macurco technical service representative for information on resolving the problem.

1. Remove the single screw in the middle of the front cover of the CX-xx.
2. Remove the front cover.
3. Observe the LED light on the front of the CX-xx.
4. If the light is solid green proceed to step 6.
5. If the green status indicator LED light is off or flashing, refer to the General section above.
6. Press **Enter**.
7. The CX-xx will step through a cycle test:
  - a. The display progresses through the bUZ (Buzzer Test) Art (alarm relay test), Frt (fan relay test) then 42t.C and 42t.n (4-20 mA output test). Make sure that the settings are "on" or not disabled "diS".

Test	Description	Test Length	Display
bUZ	Buzzer Test	3 seconds	Flashes “bUZ”
Art	Alarm Relay Test	5 seconds	Flashes “Art”
Frt	Fan Relay Test	60 seconds	Flashes “Frt”
42t.C	4-20 mA Test for CO	130 seconds	Flashes “42t.C”
42t.n	4-20mA Test for NO <sub>2</sub>	130 seconds	Flashed “42t.n”

Figure 7-1 - Operation Test Mode Table

- b. At the end of the test cycle, the fan & alarm relay will be in standby mode and the 4-20 mA output will return to 4 mA (in clean air).
- 8. When testing is complete, reassemble the unit.

7.1.2 Manual Operation Test

This option gives the user the opportunity to manually initiate an individual test for each relay, the analog output and the sensor response to gas.

To initiate a manual operation test,

1. From normal operation mode press **Next** 2 times to get to Test Mode (tSt).
2. Press **Enter** once to get into the Test Menu.
3. Press **Next** to scroll through the six test options.

Test	Description	Test Length	Display
bUZ	Buzzer Test	3 seconds	Flashes “bUZ”
Art	Alarm Relay Test	5 seconds	Flashes “Art”
Frt	Fan Relay Test	60 seconds	Flashes “Frt”
42t.C	4-20 mA Test for CO	130 seconds	Flashes “42t.C”
42t.n	4-20 mA Test for NO <sub>2</sub>	130 seconds	Flashes “42t.n”
gtS	Gas Test	180 seconds	Flashes in a sequence of gtS, CO reading (indicated by C in the beginning) and NO <sub>2</sub> reading (indicated by n in the beginning). No output to the panel during the gas test.

Figure 7-2 – Manual Operation Test Mode Table

4. Press **Enter** to initiate the selected test. Note that if the relay or 4–20 mA output has been disabled, the test selection will not be displayed in the test menu.
5. Once the test is complete, the display will return to steady display. To exit the test menu, press the **Next** button until “End” is displayed. Then, press **Enter** to return to normal mode.

## 7.2 Calibration and Test Kits

### WARNING

The following steps must be performed when conducting a calibration verification test (bump test) to ensure proper performance of the monitor. Failure to do so may adversely affect product performance.

- When performing a calibration verification test (bump test) only use certified calibration gas at the required concentration level.
- Do not test with expired calibration gas.
- Do not cover or obstruct display or visual alarm cover.
- Ensure sensor inlets are unobstructed and are free of debris

Failure to follow instructions outlined in this user manual can result in sickness or death.

- When performing a calibration or calibration verification test (bump test) only use certified calibration gas at the required concentration level. Do not calibrate with expired calibration gas.
- If the instrument cannot be calibrated, do not use until the reason can be determined and corrected.
- Do not cover or obstruct display or visual alarm cover.
- Ensure sensor inlets are unobstructed and is free of debris

A Field Calibration Kit, Cal-Kit 2, and two bottles of calibration gas are needed to complete gas test. These are available through local distribution or from Macurco.

**NOTE:** CX-xx must be tested or calibrated at regular intervals in accordance with the requirements of the National Fire Protection Association (NFPA) 720 or local code requirements. It is recommended to test or calibrate CX-xx at least annually.

#### Contents of the Cal-Kit 2

- Cal-Kit 2 (30-0021-1110-1)
  - Calibration Case
  - Two feet of Tygon tubing
  - Cal Hood-Macurco Pack
  - 0.2 LPM Gas regulator (M)

Also needed are the following calibration gas bottles (Sold Separately):

- Qty 1 CO-200PPM-AL (70-0714-0531-4) Carbon Monoxide CO Cal Gas Aluminum Cylinder 34L 200 ppm (F)
- Qty 1 NO2-5PPM-AL (70-0714-0531-3) Nitrogen Dioxide NO2 Cal Gas Aluminum Cylinder 34L 5 ppm (F)

#### Cal-Kit 2 Information

Several detectors can be calibrated with one Cal-Kit. The only limitation is the amount of gas in the cylinder. The 34-liter cylinder has approximately 170 minutes of continuous calibration run time. The gas cylinder should be replaced when the pressure gauge on the regulator shows 25-psi or less.

**Note:** For optimum test results it is suggested that the unit be in clean air, green light on, and be in a low ambient air flow.

It is critical to perform zeroing of the sensor in clean air. In the situation or application where the absence of target gas (CO or NO<sub>2</sub>) cannot be guaranteed, it is suggested to use Zero Air (20.9% O<sub>2</sub> balance nitrogen) calibration gas for zeroing of the sensor.

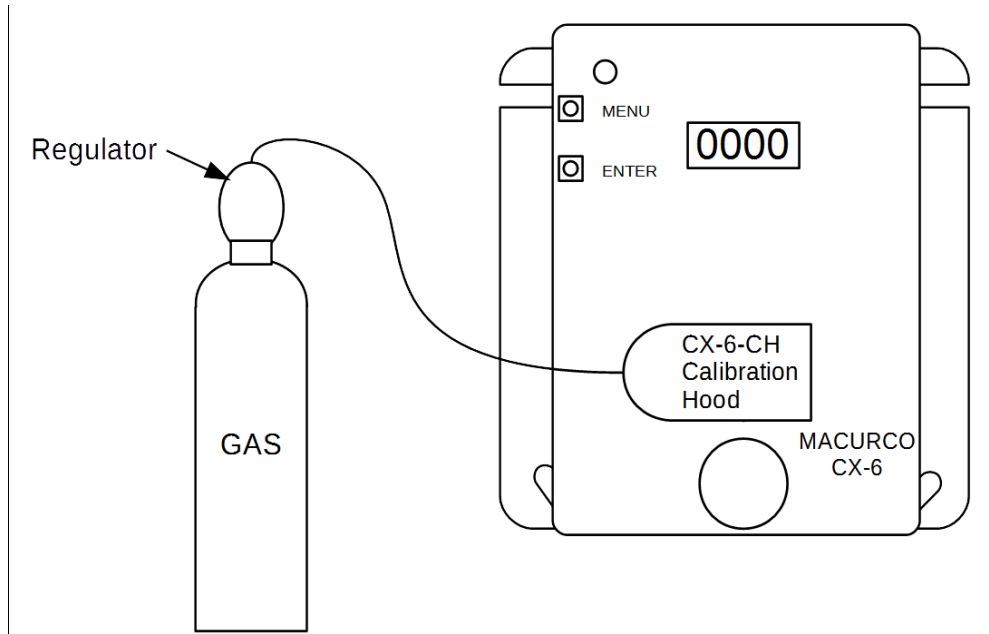


Figure 7-1 - Calibration Kit Connection

## 7.3 Gas Testing

### 7.3.1 Testing the Fan Relay

1. Remove the Philips screw on the front of the CX-xx. Remove the front cover.
2. Open the FCK. Connect the gas cylinder to the regulator.
3. Check the pressure gauge on the regulator. If you have 25-psi or less, you will need to replace the gas canister.
4. Assemble the regulator, hose, and Calibration Hood and place the Calibration Hood over the sensor to be tested.

**NOTE:** The time to activate the Fan Relay depends on the Fan Relay Delay “Frd” setting.

5. Turn on the regulator to start the gas flow and wait with the gas applied continuously.
6. With the display function turned “On”, the CX-xx will flash between the current concentration of CO and NO<sub>2</sub>, or “0” (zero) in clean air. When the gas concentration reaches the Fan Relay setting, the display will flash between “FAn” and “current gas reading”. With the display function turned “Off”, the display does not show the gas concentration, but will show “FAn” while the fan relay is activated.



**NOTE:** If the Fan Relay does not close within 2 minutes, there are four possibilities:

- a. Gas cylinder is empty, check the pressure gauge. Replace the gas cylinder if 25psi or less.
  - b. Unit needs to be re-calibrated (go through recalibration and re-test).
  - c. Detector needs servicing (return unit to factory for servicing).
  - d. The detector has the Fan Relay set to disable (“diS”) or a concentration level higher than the test gas. Set the Fan Relay to a gas concentration lower than the test gas and repeat the test.
7. Remove the gas from the sensor. Proceed to test the Alarm Relay or replace the top cover.

### 7.3.2 Testing the Alarm Relay

1. Connect the gas cylinder to the regulator.
2. Check the pressure gauge. If there is 25psi or less the cylinder should be replaced.
3. Place the Calibration Hood over the sensor.
4. Turn on the regulator to start the gas flow. The Alarm Relay should activate according to the settings.
5. With the display function turned “On” and the gas concentration reaching the Alarm Relay setting, the display will flash between “ALr” and “current gas reading”. The buzzer will sound indicating “Alarm” if the buzzer is turned “On”. With the display function turned off the display does not show the gas concentration but will show “ALr” when the Alarm Relay is activated.

**Note:** If the Alarm Relay fails to operate within 2 minutes, there are four possibilities:

- a. Gas cylinder is empty. Check the pressure gauge. Replace the gas cylinder if 25-psi or less.
  - b. Unit needs to be re-calibrated (go through recalibration and re-test).
  - c. Detector needs servicing (return unit to factory for servicing).
  - d. The detector has the Alarm Relay set to disable (“diS”) or a concentration level higher than the test gas. Set the Alarm Relay to a gas concentration lower than the test gas and repeat the test.
6. Remove the gas from the sensor after Test. Proceed to Test the 4-20mA output or replace the top cover.

### 7.3.3 Testing the 4-20mA loop

1. Make sure the 4-20mA mode is set to “High” for this test.
2. Connect the gas cylinder to the regulator.
3. Check the pressure gauge. If there is 25-psi or less the cylinder should be replaced.
4. Place the cap from the regulator over the sensor. Turn on the regulator to start the gas flow.
5. The Fan relay should activate according to the settings.
6. The Alarm relay should activate according to the settings.
7. The 4-20mA output should ramp up from 4mA in clean air to 20mA at 200 ppm CO and 20mA at 20 ppm NO<sub>2</sub>. See Figure 3–1 and Figure 3–2.

**Note:** If the 4-20mA output does not ramp up within 2 minutes, there are four possibilities:

- a. Gas cylinder is empty, check the pressure gauge. Replace the gas cylinder if 25-psi or less.
  - b. Unit needs to be re-calibrated (go through recalibration and re-test).
  - c. Detector needs servicing (return unit to factory for servicing).
  - d. Detector has 4-20 mA option set to “OFF”. Set 4-20mA option to “bAS” and repeat the test.
8. Remove the gas from the sensor. Re-assemble the CX-xx (make sure the LED is aligned with the front case hole). You are done.

### 7.3.4 Aerosol Carbon Monoxide Test (Carbon Monoxide only)

The CME1-FTG is an 11L 500 ppm Aerosol Carbon Monoxide Field Test Gas that can be used with the CX-xx. This field test gas allows installers to do a quick functionality test of the CO sensor. The flow rate of the CME1-FTG is 10 Lpm so you will have about a minute of gas or enough to test 20-30 sensors.

1. Units to be tested must be powered continuously for a minimum of 3 minutes before proceeding.
2. For optimum test results the unit should be in clean air and be in a low ambient air flow.
3. Check that the CX-xx status indicator light is illuminated, Green continuously. If not, do not proceed with tests. See section 5.1 On-Board Diagnostics.
4. The display option should be set to “On” and reading 0 ppm in clean air.
5. With the CX-xx cover on, aim the nozzle of the aerosol can into the sensor grate area (under DO NOT PAINT) and press for 2 to 3 seconds.
6. Wait for a few seconds. The digital display should climb indicating the increased gas concentration at the sensor confirming a pass of the quick test.  
**Note:** If the Display does not change within 10 seconds, there are four possibilities:
  - a. Gas cylinder is empty, replace the gas cylinder.
  - b. Unit needs to be re-calibrated (go through the Field Calibration Procedure and re-test).
  - c. Detector needs servicing (return unit to factory for servicing).
7. Wait for the display to return to 0 ppm and configure options to desired settings.

## 7.4 Field Calibration Procedure

**NOTE:** For optimum calibration results the unit should be in clean air and be in a low ambient air flow.

CX-xx has “CAL” top level menu that can be used to perform a field calibration. “tSC.C”, “tSC.n”, “000.C”, “000.n”, “Spn.C”, “Spn.n”, and “End” are sub-menus within the “CAL” menu.

- “tSC.C” and “tSC.n” are read only and represent the time since last calibration for each sensor. Select either sub-menu and it will display a value in the format YY.MM. “MM” are for months and “YY” for year. E.g. if the value is 00.05 then it has been zero years and 5 months since the unit was last calibrated.
- “000.C” and “000.n” are used to start a zero calibration for each respective sensor. Follow the procedures below to perform a zero calibration.
- “Spn.C” and “Spn.n” are used to start a span calibration for each respective sensor. Follow the procedures below to perform a span calibration.
- “End” sub-menu is used to exit the “CAL” menu.

A complete field calibration requires a zero calibration and a span calibration. A zero calibration provides a reference value by exposing the sensor to clean air. A span calibration exposes the sensor to a known concentration of test gas.

### 7.4.1 Zero Calibration for CO Sensor

To perform a zero calibration for the CO sensor,

1. Press **Next** 3 times to get to the “CAL” menu
2. Press **Enter**. The display will show “tSC.C”.
3. Press **Next** 2 times to get to “000.C” and Press **Enter**.
4. The display will flash between ‘000.C’ and the current CO reading i.e. “C 0”.

5. After approximately 45 seconds, the zero calibration is complete. For a successful zeroing, the display will flash between "PAS.C" and the current CO reading "C 0". If the zero calibration fails, the display will show FAIL.C.
6. The green LED blinks during the process. When the green LED returns to solid, the calibration is complete.

#### 7.4.2 Zero Calibration for NO<sub>2</sub> Sensor

To perform a zero calibration for the NO<sub>2</sub> sensor,

1. Press **Next** 3 times to get to the "CAL" menu
2. Press **Enter**. The display will show "tSC.C".
3. Press **Next** 3 times.
4. The display will show "000.n". Press **Enter**.
5. The display will flash between '000.n' and the current NO<sub>2</sub> reading i.e. "n 0.0".
6. After approximately 45 seconds, the zero calibration is complete. For a successful zeroing, the display will flash between "PAS.n" and the current NO<sub>2</sub> reading "n 0.0". If the zero calibration fails, the display will show FAIL.n.
7. The green LED blinks during the process. When the green LED returns to solid, the calibration is complete.

#### 7.4.3 Span Calibration for CO Sensor

To perform a span calibration for the CO sensor,

1. Remove the Philips screw on the front of the CX-xx. Pull the front cover of the unit off.
2. Assemble the CO gas cylinder and regulator together.
3. Check the pressure gauge on the regulator. If you have 25-psi or less you will need to replace the gas canister.
4. Place the test Hood from the regulator over the CO sensor.
5. Press **Next** 3 times to get to the "CAL" menu
6. Press **Enter**. The display will show "tSC.C".
7. Press **Next** 4 times for "Spn.C" (CO).
8. Press **Enter**. The display will flash between "GAS.C" and "200".
9. Start applying gas to the sensor.  
**Note:** The sensor will look for the gas for 90 seconds. If no gas is applied or detected in that time, the display will return to "CAL".
10. When the sensor detects the gas, the display will flash between the "gas concentration" and "SPn.C", then the calibration will progress, and the display will show the gas level for a maximum of 165 seconds.
11. When the calibration is successful, the display will flash between the "gas concentration" and "PAS.C", then the display will show the calibration gas level and the calibration is done.
12. If the calibration fails, the display will flash between the "gas concentration" and "FAIL.C". If this occurs, check the pressure gauge on the regulator. If the pressure is less than 25 psi the flow of gas may not be adequate to properly calibrate the unit. If there is proper pressure in the cylinder repeat steps 4 through 6. If the unit fails to calibrate twice contact Technical Assistance: 1-877-367-7891.
13. Once the calibration has passed, remove the calibration hood and disassemble the cylinder and regulator.
14. Re-assemble the CX-xx (make sure the LED is aligned with the front case hole). Calibration is complete.
15. See Calibration Flowchart on the inside of the housing.

#### 7.4.4 Span Calibration for NO<sub>2</sub> Sensor

To perform a span calibration for the NO<sub>2</sub> sensor,

1. Remove the Philips screw on the front of the CX-xx. Pull the front cover of the unit off.
2. Assemble the NO<sub>2</sub> gas cylinder and regulator together.
3. Check the pressure gauge on the regulator. If you have 25-psi or less you will need to replace the gas canister.
4. Place the test Hood from the regulator over the NO<sub>2</sub> sensor.
5. Press **Next** 3 times to get to the “CAL” menu
6. Press **Enter**. The display will show “tSC.C”.
7. Press **Next** 5 times for “Spn.n” (NO<sub>2</sub>).
8. Press **Enter**. The display will flash between “GAS.n” and “5.0”.
9. Start applying gas to the sensor.

**Note:** The sensor will look for the gas for 90 seconds. If no gas is applied or detected in that time, the display will return to “CAL”.

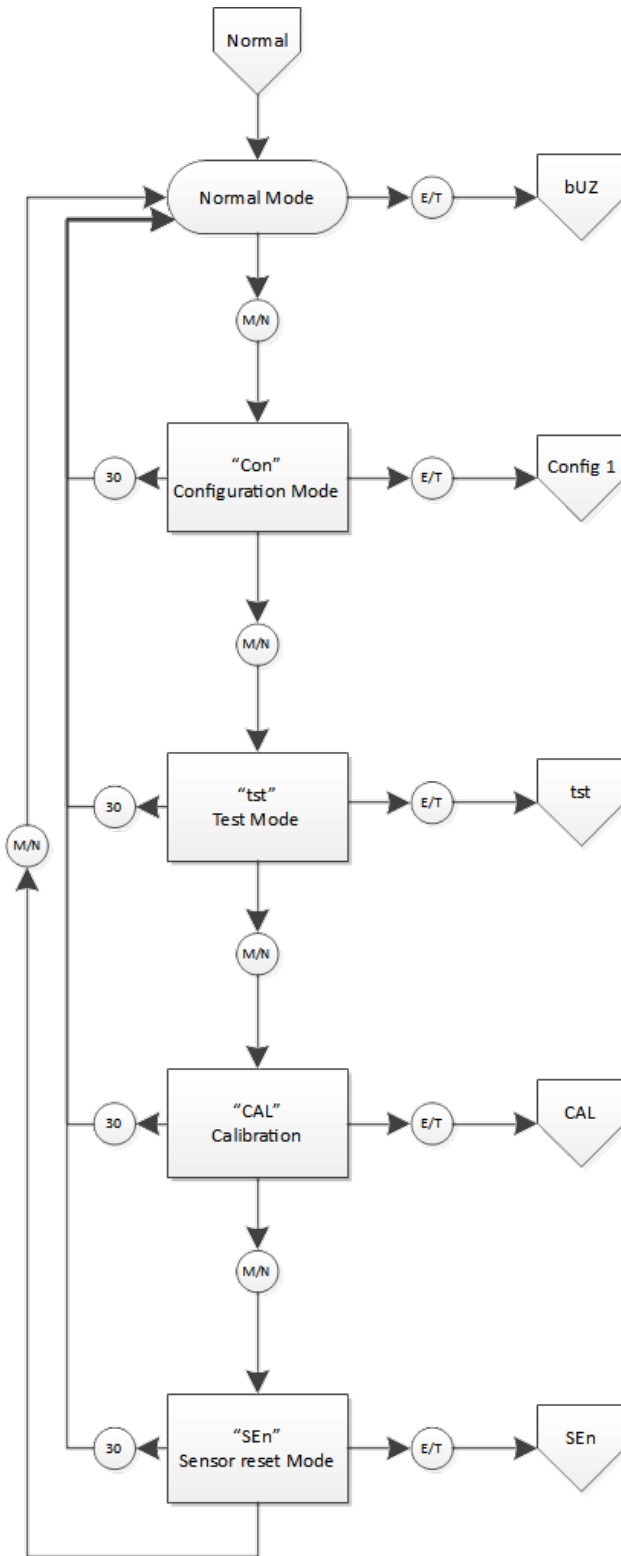
10. When the sensor detects the gas, the display will flash between the “gas concentration” and “SPn.n”, then the calibration will progress, and the display will show the gas level for a maximum of 165 seconds.
11. When the calibration is successful, the display will flash between the “gas concentration” and “PAS.n”, then the display will show the calibration gas level and the calibration is done.
12. If the calibration fails, the display will flash between the “gas concentration” and “FAil.n”. If this occurs, check the pressure gauge on the regulator. If the pressure is less than 25 psi the flow of gas may not be adequate to properly calibrate the unit. If there is proper pressure in the cylinder repeat steps 4 through 6. If the unit fails to calibrate twice contact Technical Support : 1-844-325-3050.
13. Once the calibration has passed, remove the calibration hood and disassemble the cylinder and regulator.
14. Re-assemble the CX-xx (make sure the LED is aligned with the front case hole). Calibration is complete.
15. See Calibration Flowchart on the inside of the housing.

## 8 Appendix A – Table of Figures

Figure 3–1 6-Series 4-20 mA CO Output diagram .....	9
Figure 3–2 6-Series 4-20 mA NO2 Output diagram.....	9
Figure 3–3 6-Series Rear View .....	10
Figure 3–4 6-Series Typical Installation .....	10
Figure 3–5 6-Series Multiple Devices .....	11
Figure 3–6 6-Series Alarm Control Panel.....	11
Figure 3–7 6-Series DVP-120 Control Panel .....	12
Figure 3–8 6-Series Alternate Alarm Panel.....	12
Figure 3–9 6-Series Horn & Strobe Combo Wiring.....	13
Figure 3–10 12-Series 4-20 mA CO Output diagram .....	15
Figure 3–11 12-Series 4-20 mA NO2 Output diagram.....	15
Figure 3–12 12-Series Rear View .....	16
Figure 3–13 12-Series Typical Installation .....	16
Figure 3–14 12-Series Multiple Device diagram.....	17
Figure 3–15 12-Series Alarm Control Panel.....	18
Figure 3–16 12-Series DVP-120 Control Panel .....	18
Figure 3–17 12-Series Alternate Alarm Panel .....	19
Figure 3–18 12-Series Horn & Strobe Combo Wiring.....	19
Figure 5-1 – Trouble Code Table .....	32
Figure 5-2 - Hexadecimal Conversion Table .....	33
Figure 5-3 - Replacement Sensor Location.....	34
Figure 7-1 - Operation Test Mode Table .....	37
Figure 7-2 – Manual Operation Test Mode Table .....	37
Figure 7–1 - Calibration Kit Connection.....	39




## 9 Appendix B – Menu Structure

### 9.1 Main Menu

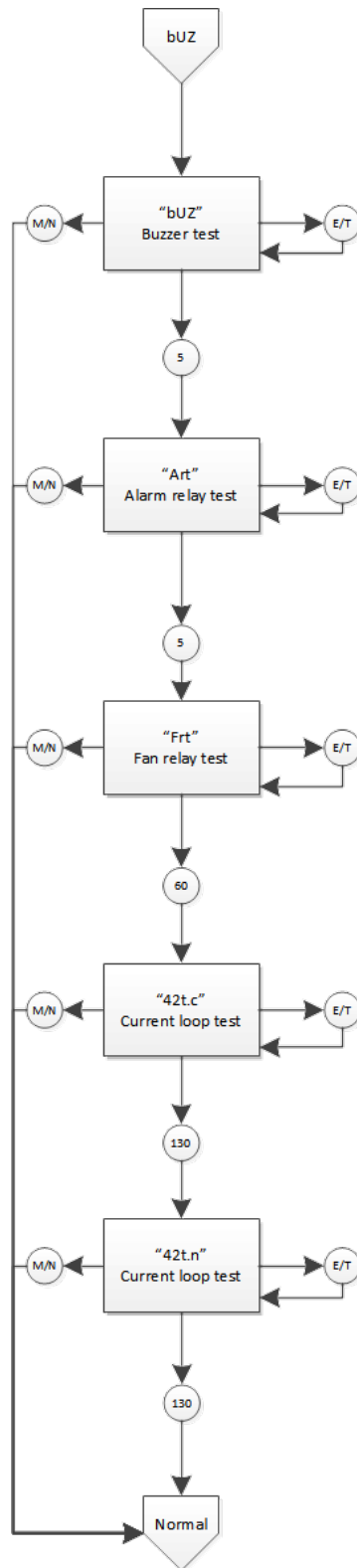


NOTES:  
1. Firmware version 2.01.

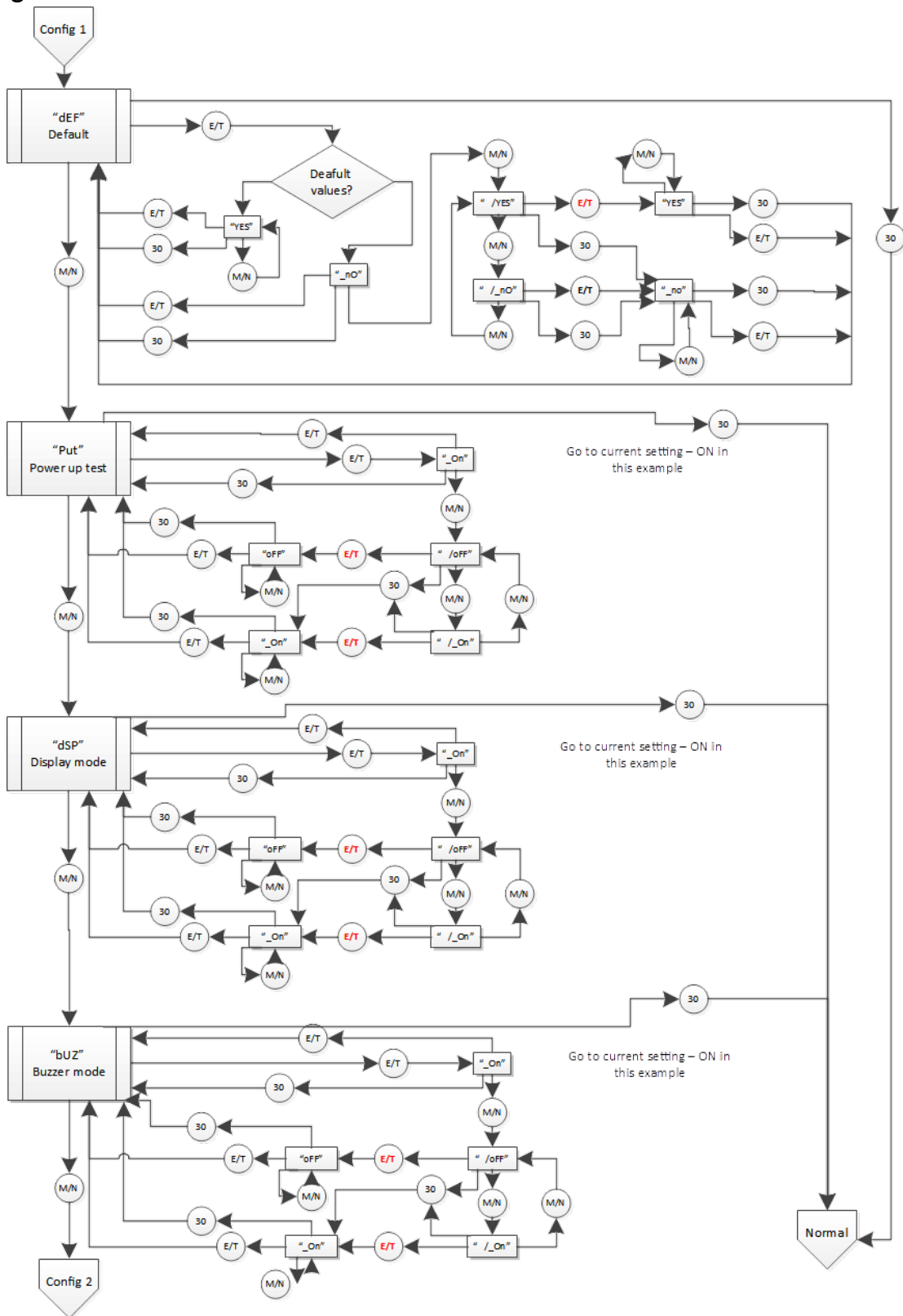
NOTES:  
1. Sensor settings are in the sensor settings spreadsheet. Any settings here are for demo purposes only.  
2. RED indicates where changes are made to the configuration.  
3. quotation marks are what is shown on the display. When there are two strings within quotation marks separated by a slash (e.g. " /\_On") this indicates display alternating between the strings.

-  Menu / Next Button
-  Enter / Test Button
-  Wait for XX seconds

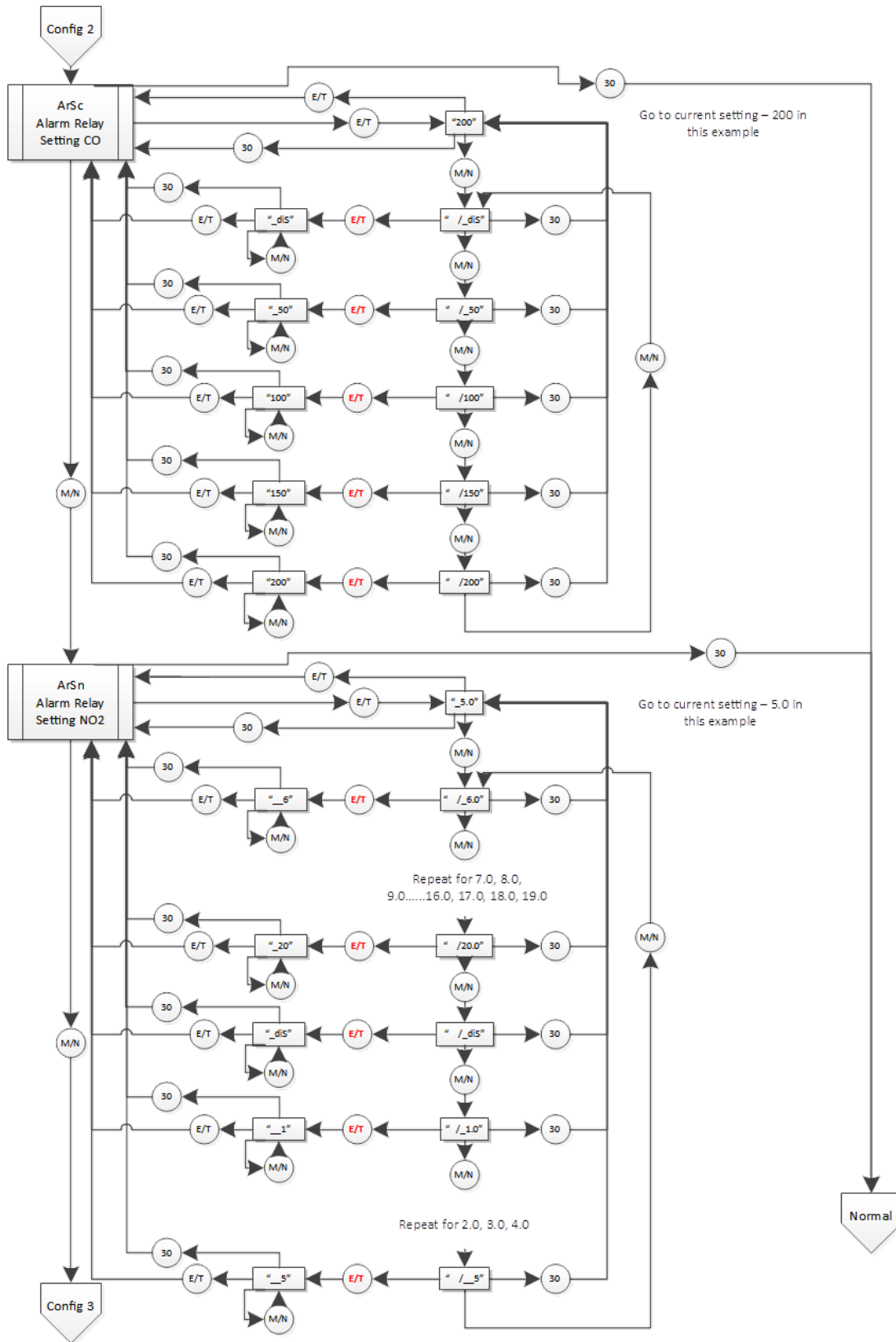
## 9.2 Auto Test Menu “bUZ”

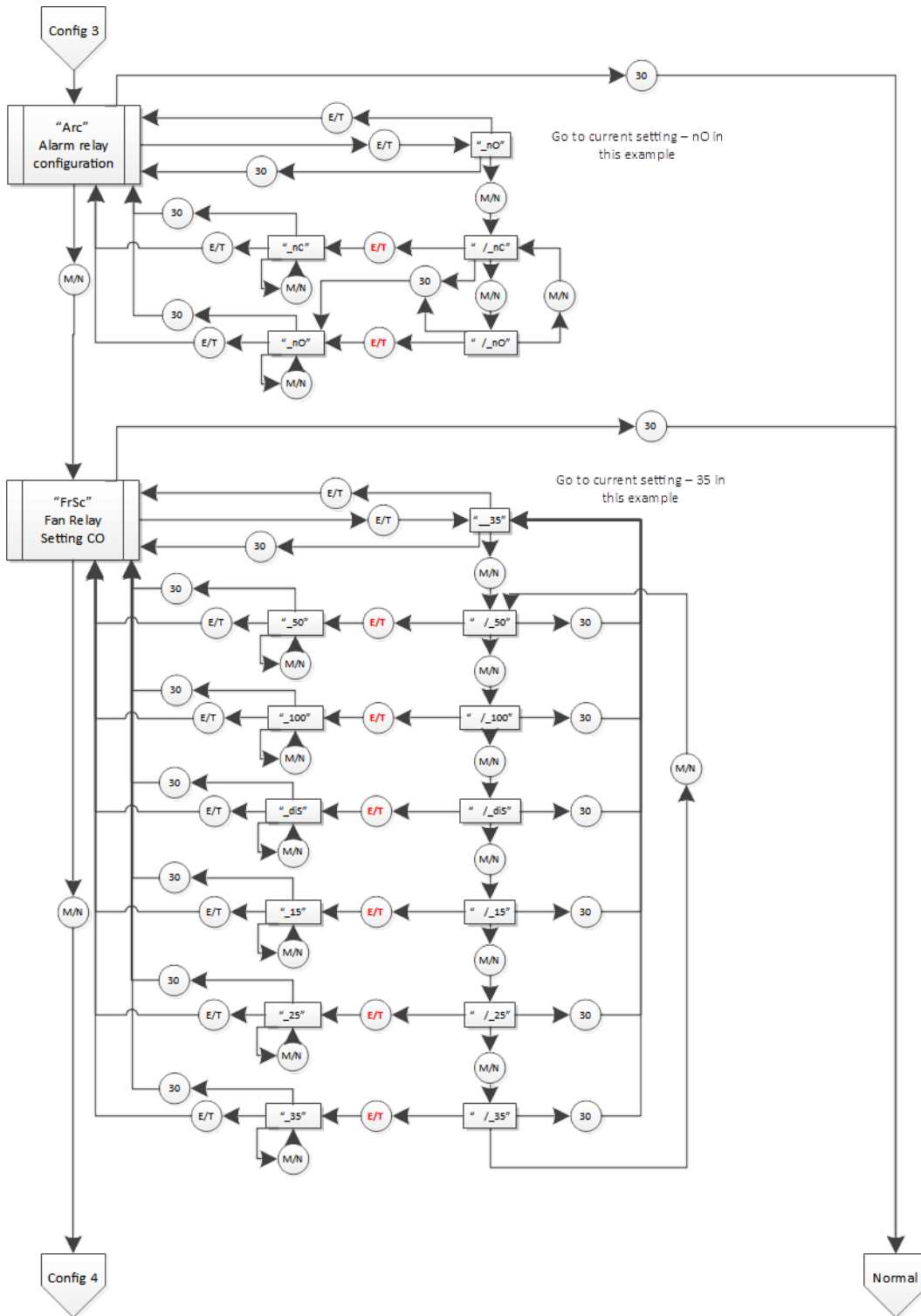


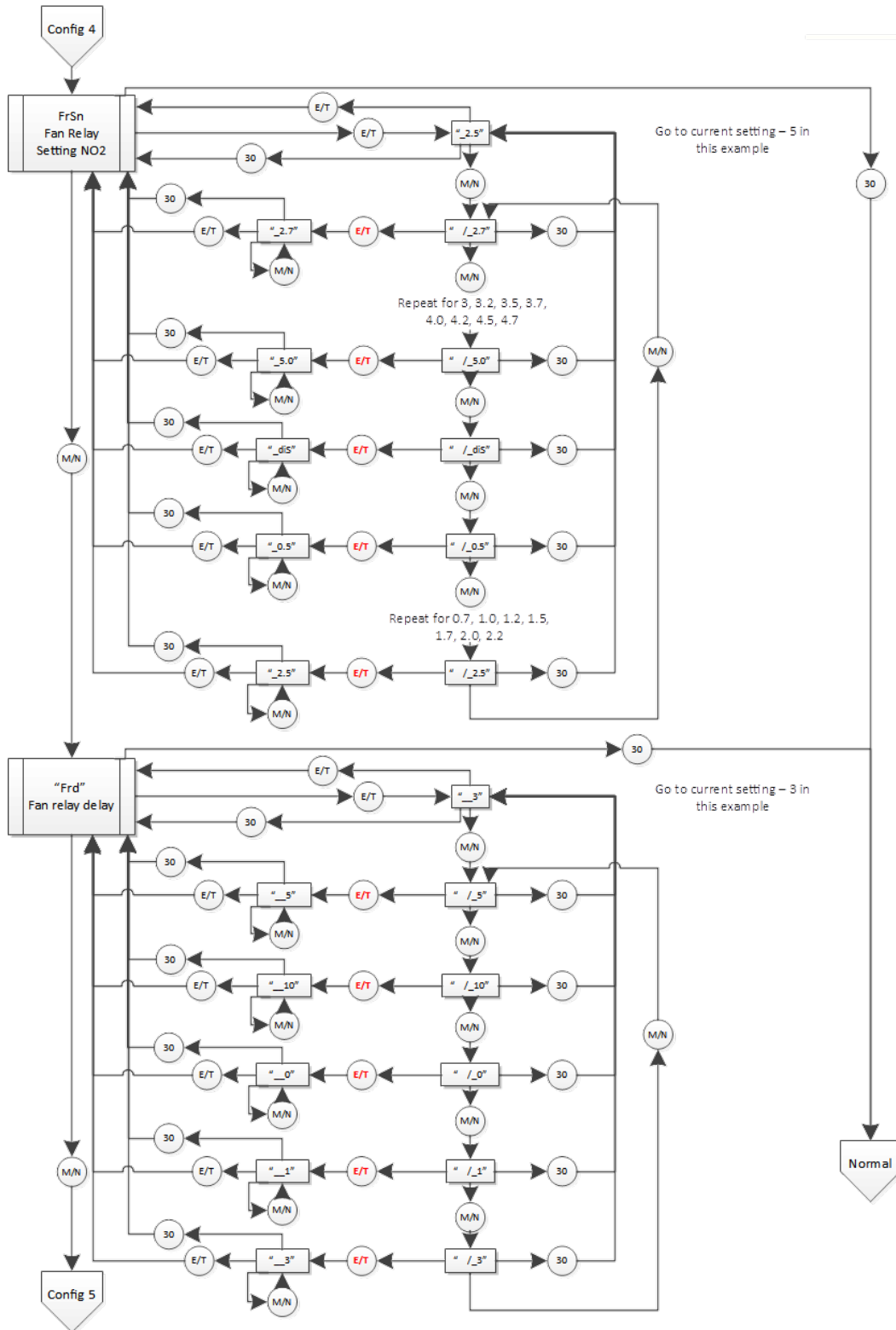
### 9.3 Configuration Menu "CON"

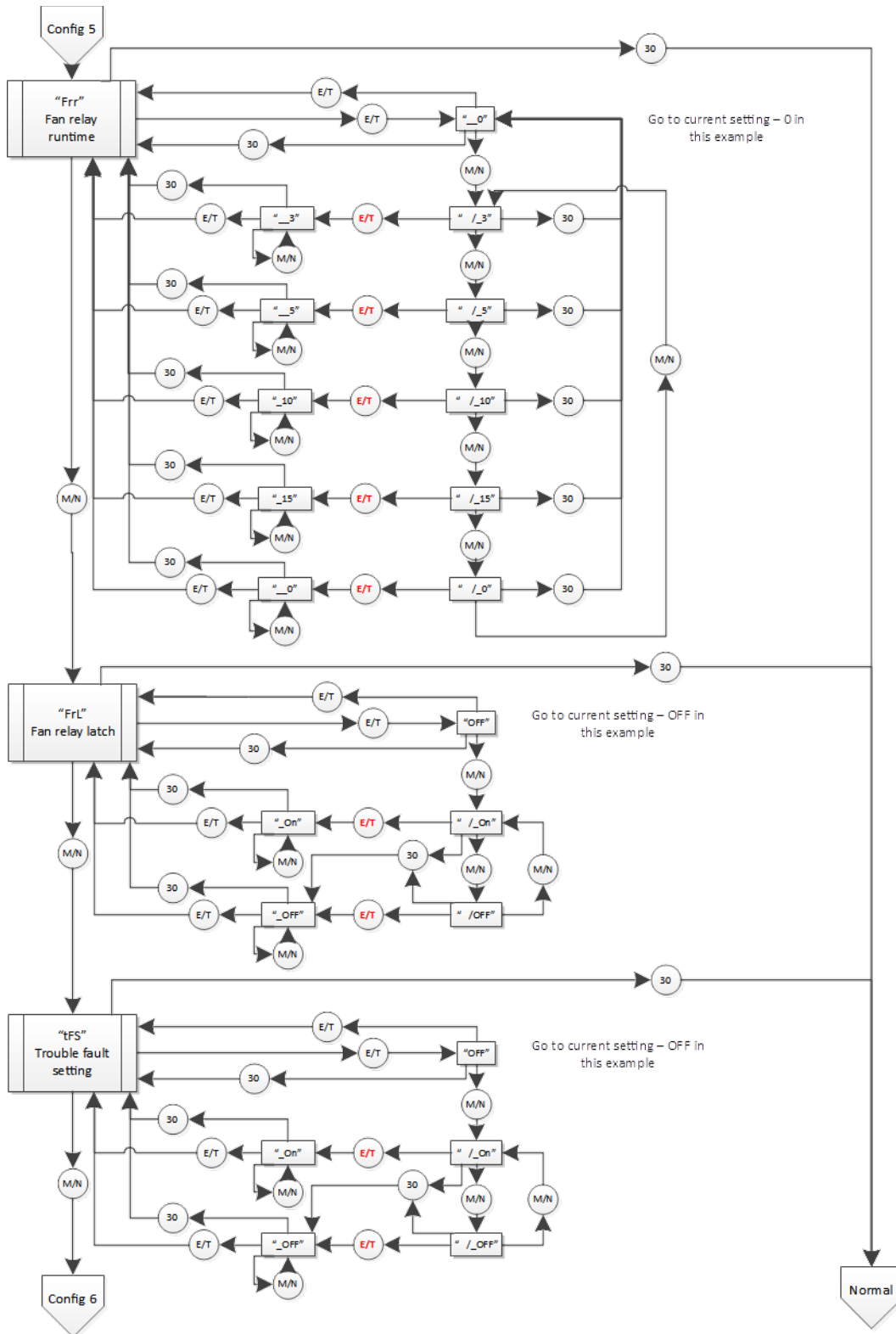


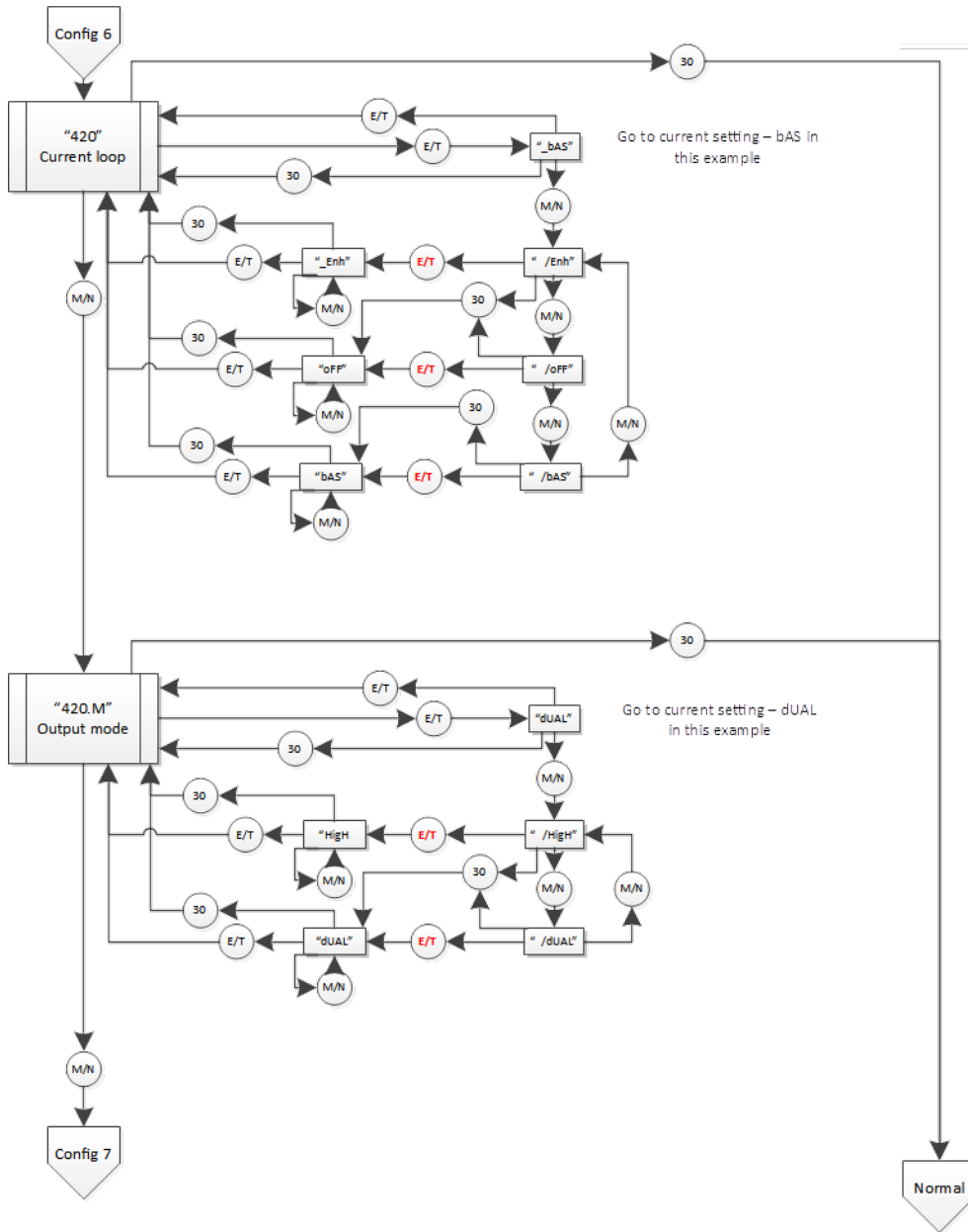


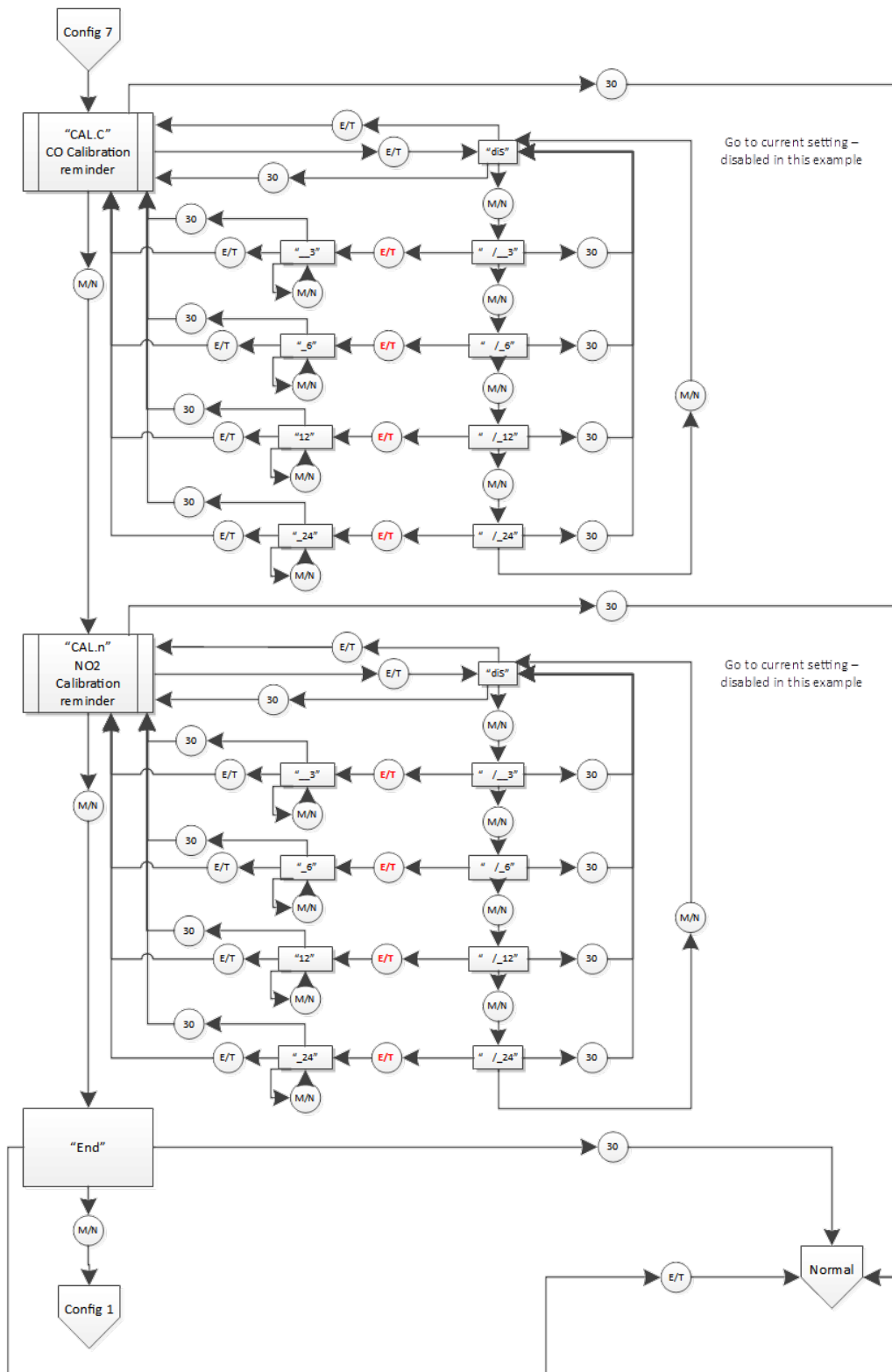




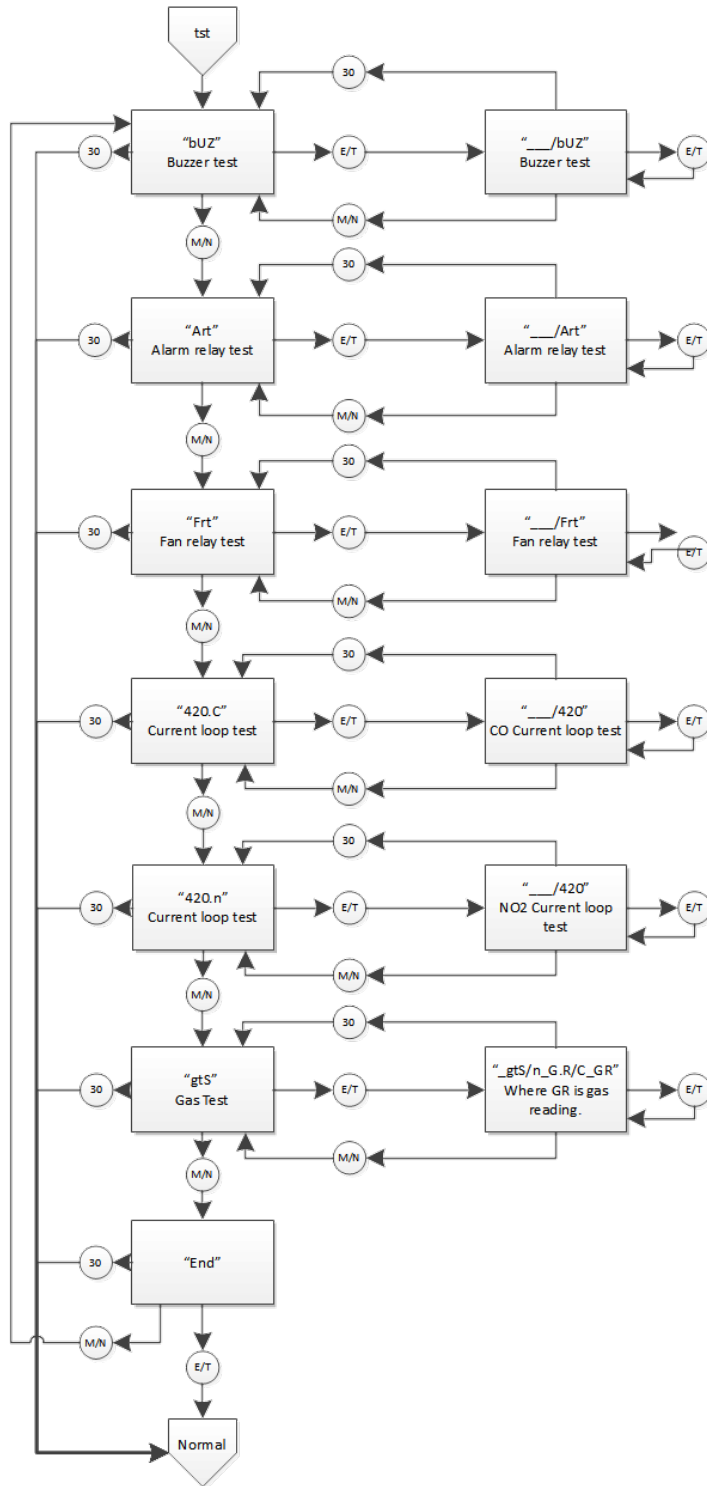




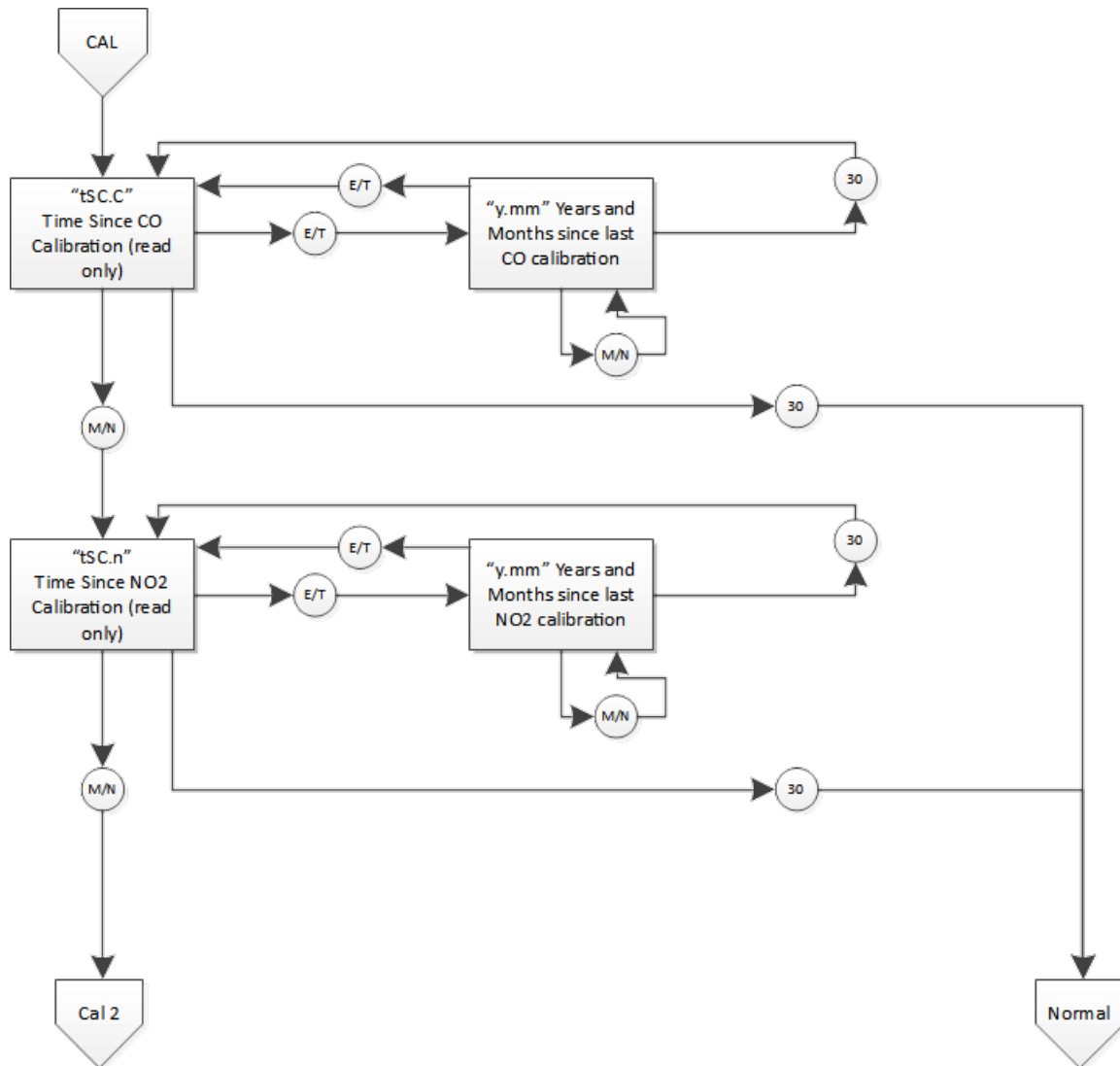




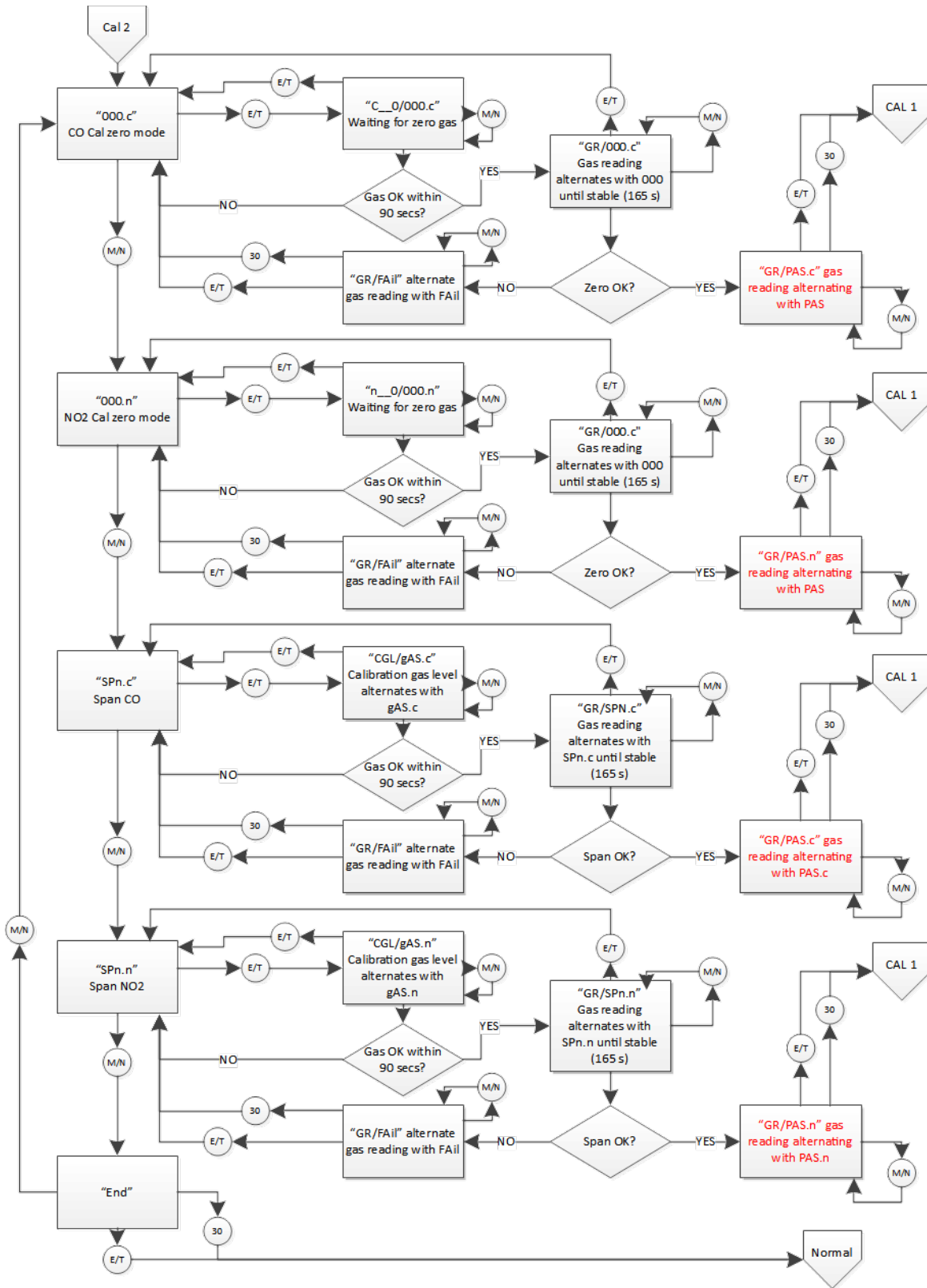
### 9.4 Select Test Menu "tst"



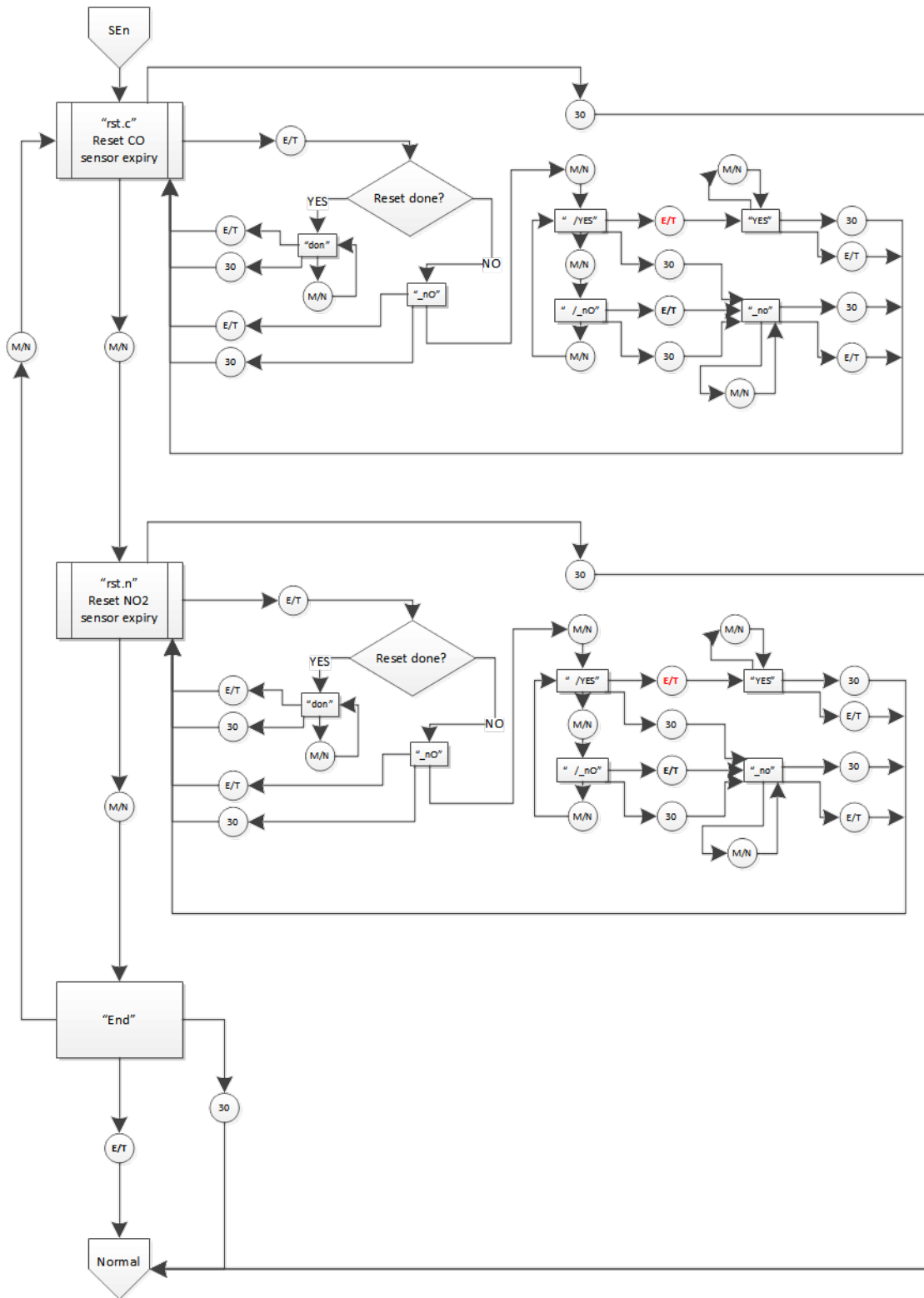
### 9.5 CAL Menu







9.6 SEn Menu





## 10 Macurco Gas Detection Product limited warranty

Macurco warrants the CX-xx gas detector will be free from defective materials and workmanship for a period of two (2) years from the date of manufacture (indicated on a decal on the PCB and on a sticker on the back side of the mounting plate), provided it is maintained and used in accordance with Macurco instructions and/or recommendations. If any component becomes defective during the warranty period, it will be replaced or repaired free of charge, if the unit is returned in accordance with the instructions below. This warranty does not apply to units that have been altered or had repair attempted, or that have been subjected to abuse, accidental or otherwise. The above warranty is in lieu of all other express warranties, obligations or liabilities. THE IMPLIED WARRANTIES OF MERCHANTABILITY AND FITNESS FOR PARTICULAR PURPOSE ARE LIMITED TO A PERIOD OF TWO (2) YEARS FROM THE PURCHASE DATE. Macurco shall not be liable for any incidental or consequential damages for breach of this or any other warranty, express or implied, arising out of or related to the use of said gas detector. The manufacturer or its agent's liability shall be limited to replacement or repair as set forth above. Buyer's sole and exclusive remedies are the return of the goods and repayment of the price, or repair and replacement of non-conforming goods or parts.

## Macurco Gas Detection

3601 N. St. Paul Avenue  
Sioux Falls, SD 57104

### Technical Support Contact Information

**Phone:** 1-844-325-3050  
**Fax:** 1-605-951-9616  
**Email:** support@macurco.com  
**Website:** www.macurco.com/support/

### General Contact Information

**Phone :** 1-877-367-7891  
**Fax :** 1-605-951-9616  
**Email :** info@macurco.com  
**Website:** www.macurco.com

Rev – 1.2

Issue Date: 6-23-2021

Document No: 34-2900-0512-0

© Aerionics 2021. All rights reserved.

Macurco is a trademark of Aerionics, Inc.





## Macurco™ CX-6, CX-12

Détecteur, contrôleur et transducteur combinés de monoxyde de carbone et de dioxyde d'azote

Mode d'emploi



IMPORTANT: Conservez ces instructions d'utilisation à titre de référence.



- 1 Consignes de sécurité générales .....
  - 84 .....
    - 8
    - 1.1 Description générale .....
      - 84 .....
        - 8
      - 1.2 Liste des avertissements .....
        - 84 .....
          - 8
- 2 Utilisez les instructions et les limitations .....
  - 95 .....
    - 9
    - 2.1 Utilisation pour .....
      - 95 .....
        - 9
    - 2.2 Ne pas utiliser pendant .....
      - 106 .....
        - 10
    - 2.3 Features .....
      - 106 .....
        - 10
    - 2.4 Spécifications .....
      - 106 .....
        - 10
      - Basse tension .....
        - 117 .....
          - 11 de la série 2.4.16
      - Tension de ligne de la série 2.4.212 .....
        - 117 .....
          - 11
- 3 Installation et mode d'emploi .....
  - 117 .....
    - 11
    - 3.1 Location .....
      - 117 .....
        - 11
    - 3.2 Installation .....
      - 128 .....
        - 12
      - Basse tension .....
        - 128 .....
          - 12 de la série 3.2.16

Tension de ligne de la série 3.2.212 .....  
    1813 .....  
    18

3.3 Raccordement terminal .....  
    2418 .....  
    24

    Basse tension .....  
        2418 .....  
        24 de la série 3.3.16

    Tension de ligne de la série 3.3.212 .....  
        2519 .....  
        25

4 Opérations .....  
    2620 .....  
    26

4.1 Puissance en hausse .....  
    26 de 20 .....  
    26

4.2 Affichage activé .....  
    2620 .....  
    26

4.3 Affichage désactivé .....  
    2721 .....  
    27

Boucle 4.4-20mA .....  
    2722 .....  
    27

4.5 Configuration « CON » .....  
    2822 .....  
    28

    4.5.1 Dévain - Paramètres .....  
        28 d'usine 23 .....  
        28

    4.5.2 Sélectionnez la configuration par défaut - « DEF » .....  
        2923 .....  
        29

    4.5.3 Sélectionnez le réglage du .....  
        29 test .....  
        29 de mise sous tension - « P Ut » .....  
        2923 .....  
        29



4.5.4Sélectionnez la configuration de l'affichage - « DSP ».....  
2924 .....  
29

4.5.5Sélectionnez la configuration de l'avertisseur sonore - bUZ.....  
3024 .....  
30

4.5.6Sélectionnez le réglage du relais d'alarme pour le CO - « ArS.C » .....  
3024 .....  
30

4.5.7Sélectionnez le réglage du relais d'alarme pour le NO2 - « ArS.n » .....  
3125 .....  
31

4.5.8Sélectionnez la configuration du relais d'alarme - Arc.....  
3125 .....  
31

4.5.9Sélectionnez le réglage du relais du ventilateur pour le CO - « FrS.C » .....  
3125 .....  
31

4.5.10Sélectionnez le réglage du relais du ventilateur pour le NO2 – « FrS.n » .....  
3226 .....  
32

4.5.11Sélectionnez réglage du délai du relais du ventilateur - « Frd » .....  
3226 .....  
32

4.5.12Sélectionnez le réglage minimal d'exécution du relais du ventilateur - « Frr » .....  
3226 .....  
32

4.5.13Sélectionnez le réglage du verrouillage du relais du ventilateur - « FrL » .....  
3327 .....  
33

4.5.14Sélectionnez le réglage du ventilateur de dérangement - « tFS » .....  
3327 .....  
33

4.5.15Sélectionnez le réglage de sortie 4-20mA - « 420 » .....  
3427 .....  
34

4.5.16Sélectionnez le mode 4-20mA - « 420.n » .....  
3428 .....  
34

4.5.17Sélectionnez la période d'étalonnage du capteur de CO – CAL. C po .....  
3528 .....  
35

- 4.5.18Sélectionnez la période d'étalonnage du capteur NO .....
  - 352.....
  - 35 – « CAL.n » .....
  - 3529.....
  - 35
- 5Introubleshooting.....
  - 3629.....
  - 36
  - 5.1 Diagnostics sur carte .....
    - 3629.....
    - 36
    - 5.1.14-20mA dépannage .....
      - 3629.....
      - 36
    - 5.1.2 Codes d'erreur .....
      - 3629.....
      - 36
  - 5.2 Poisons de.....
    - 38capteurs 31 .....
    - 38
  - 5.3Capteur expiré.....
    - 3831.....
    - 38
- 6Maintenance.....
  - 4032.....
  - 40
  - 6.1 Reset de durée de vie du.....
    - 40capteur 32.....
    - 40
  - 6.2Nettoyage.....
    - 4133.....
    - 41
- 7Test.....
  - 4133.....
  - 41
  - 7.1Test.....
    - 4133.....
    - ..... 41
    - 7.1.1Test d'opération .....
      - 4133.....
      - 41
    - 7.1.2Test d'opérationmanuelle .....
      - 4234.....
      - 42

- 7.2 Calibrage et trousse .....
  - 43 d'essai 34 .....
    - 43
- 7.3 Étentements .....
  - 44 de gaz 36 .....
    - 44
  - 7.3.1 Test du relais du ventilateur .....
    - 4436 .....
      - 44
  - 7.3.2 Test du relais d'alarme .....
    - 4537 .....
      - 45
  - 7.3.3 Test de la boucle 4-20mA .....
    - 4537 .....
      - 45
  - 7.3.4 Test de monoxyde de carbone d'aérosol (monoxyde de carbone seulement) .....
    - 4637 .....
      - 46
- 7.4 Procédure d'étalonnage en .....
  - 46 champ 38 .....
    - 46
  - 7.4.1 Calibrage zéro pour capteur de CO .....
    - 4738 .....
      - 47
  - 7.4.2 Calibrage zéro pour capteur NO .....
    - 472 .....
      - 47
    - 4738 .....
      - 47
  - 7.4.3 Calibrage à l'envergure pour capteur de CO .....
    - 4739 .....
      - 47
  - 7.4.4 Calibrage à l'envergure pour capteur NO .....
    - 482 .....
      - 48
    - 4839 .....
      - 48
- 8 Appendix A - Tableau des figures .....
  - 5041 .....
    - 50
- 9 Appendix B - Structure du menu .....
  - 5242 .....
    - 52

9.1Tente menu .....  
    52principal 42 .....  
    52  
9.2 Menu test automatique « bUZ » .....  
    5343 .....  
    53  
9.3 Menu de configuration « CON » .....  
    5444 .....  
    54  
9.4Sélectionnez le menu test « tst » .....  
    6151 .....  
    61  
9.5Cal Menu .....  
    6252 .....  
    62  
Menu 9.6SEn.....  
    6454 .....  
    64  
10Macurco Garantie limitée du produit de détection de .....  
    65gaz 55.....  
    65  
**Coordonnées du support technique ..... 6555**  
..... 65  
**Coordonnées générales ..... 6555**  
..... 65

## 1 Renseignements généraux sur la sécurité

Les instructions suivantes sont destinées à servir de ligne directrice pour l'utilisation du détecteur combiné de monoxyde de carbone et de dioxyde d'azote Macurco CX-6 et CX-12. Ce manuel fera référence à ces appareils comme CX-xx, sauf si le contenu est spécifique à un modèle. Ce manuel ne doit pas être considéré comme tout compris et ne vise pas non plus à remplacer la politique et les procédures de votre établissement. Si vous avez des doutes quant à l'applicabilité de l'équipement à votre situation, consultez un hygiéniste industriel ou appelez le soutien technique au 1-844-325-3050.


### 1.1 Description générale

Le Macurco CX-xx est une combinaison de style commercial détecteur/transducteur de monoxyde de carbone et de dioxyde d'azote. Il s'agit d'un système de détection électronique utilisé pour mesurer la concentration de CO et de NO<sub>2</sub> et pour fournir des commentaires et un contrôle automatique des ventilateurs d'échappement afin de réduire les concentrations de CO et de NO<sub>2</sub> dans les garages de stationnement, les installations d'entretien ou d'autres applications commerciales.

Il est disponible dans une basse tension (CX-6) et tension de ligne (CX-12) option. Le CX-xx est un compteur de bas niveau capable d'afficher dans la gamme 0-200 ppm (parties par million) d'oxyde de carbone et 0-20 ppm de dioxyde d'azote. Le CX-xx offre des options sélectionnables de sortie 4 à 20 mA, d'avertisseur sonore et d'affichage numérique. Le CX-xx est étalonné en usine et testé à 100% pour un bon fonctionnement, mais peut également être étalonné sur le terrain.

Le CX-xx est conçu pour être monté sur une boîte électrique de 4 x 4 po. Il peut fonctionner dans une application autonome ou peut être connecté à un système d'automatisation de bâtiment, panneau de contrôle homologué UL, ou tout autre dispositif de contrôle qui accepte 4-20mA entrée analogique. Le CX-xx est compatible avec le panneau de contrôle Macurco DVP.

### 1.2 Liste des avertissements

 <b>AVERTISSEMENT (en)</b>
Chaque personne utilisant cet équipement doit lire et comprendre les informations contenues dans ce manuel d'utilisation avant de l'utiliser. L'utilisation de cet équipement par des personnes non formées ou non qualifiées ou une utilisation qui n'est pas conforme à ce manuel d'utilisation peut nuire à la performance du produit.
Utiliser uniquement pour surveiller le gaz que le capteur et le moniteur sont conçus pour détecter. Le non-respect de cette mesure peut entraîner des expositions à des gaz non détectables et causer des blessures graves, voire mortelles. Pour une utilisation appropriée, consultez le superviseur ou le manuel d'utilisation, ou communiquez avec le service d'assistance technique au 1-844-325-3050.
Cet équipement peut ne pas fonctionner efficacement en dessous de 0°F ou au-dessus de 125°F (-18°C ou au-dessus de 52°C). L'utilisation du détecteur à l'extérieur de cette plage de température peut nuire à la performance du produit.
Ce détecteur aide à surveiller la présence et le niveau de concentration d'un certain gaz aéroporté spécifié. Une mauvaise utilisation peut produire une lecture inexacte, ce qui signifie que des niveaux plus élevés du gaz surveillé peuvent être présents et

<p>entraîner une surexposition et causer des blessures graves ou la mort. Pour une utilisation appropriée, consultez le superviseur ou le manuel d'utilisation, ou communiquez avec le service d'assistance technique au 1-844-325-3050.</p>
<p>Les bornes à haute tension (120/240 VCA) sont situées à l'intérieur de ce détecteur, ce qui présente un danger pour les techniciens d'entretien. Seuls des techniciens qualifiés doivent ouvrir le boîtier du détecteur et faire l'entretien des circuits internes. Assurez-vous que l'alimentation est hors tension des relais du détecteur avant d'entretenir l'appareil. Le non-respect de cette mesure peut entraîner un choc électrique.</p>
<p>Ne démontez pas l'appareil et n'essayez pas de réparer ou de modifier un composant de cet appareil. Cet instrument ne contient aucune pièce pouvant être mise en service par l'utilisateur, et la substitution de composants peut nuire aux performances du produit.</p>
<p>L'utilisation d'un gaz certifié dont la concentration est autre que celle indiquée pour ce détecteur lors d'un test de vérification de l'étalonnage (essai de bosses) produira des lectures inexactes. Cela signifie que des niveaux plus élevés du gaz surveillé peuvent être présents et entraîner une surexposition. Pour une utilisation appropriée, consultez le superviseur ou le manuel d'utilisation, ou communiquez avec le service d'assistance technique au 1-844-325-3050.</p>
<p>Les étapes suivantes doivent être effectuées lors d'un test de vérification de l'étalonnage (essai de bosse) afin d'assurer le bon fonctionnement du moniteur. Le non-respect de cette mesure peut nuire à la performance du produit.</p> <ul style="list-style-type: none"><li>• Lors d'un test de vérification d'étalonnage (essai de bosses), n'utiliser que du gaz d'étalonnage certifié au niveau de concentration requis.</li><li>• Ne pas tester avec du gaz d'étalonnage expiré.</li><li>• Ne pas couvrir ou obstruer l'écran ou le couvercle de l'alarme visuelle.</li><li>• Assurez-vous que les entrées des capteurs ne sont pas obstruées et exemptes de débris</li></ul> <p>Le non-respect des instructions décrites dans ce manuel d'utilisation peut entraîner la maladie ou la mort.</p>

## 2 Mode d'emploi et limitations

### AVERTISSEMENT (en)

Chaque personne utilisant cet équipement doit lire et comprendre les informations contenues dans ce manuel d'utilisation avant de l'utiliser. L'utilisation de cet équipement par des personnes non formées ou non qualifiées ou une utilisation qui n'est pas conforme à ce manuel d'utilisation peut nuire à la performance du produit.

### 2.1 Utiliser pour

Le CX-xx fournit la détection du CO et du NO<sub>2</sub> et le contrôle automatique des ventilateurs d'échappement pour les installations d'entretien automobile, les garages de stationnement fermés, les buanderies, les entrepôts et d'autres applications commerciales où il existe un potentiel de monoxyde de carbone et/ou de gaz azoté. Le CX-xx répond aux exigences du Code du bâtiment uniforme pour les garages fermés et répond aux normes osha pour l'exposition au CO et no<sub>2</sub>. Le CX-xx peut être utilisé seul avec le panneau de contrôle de détection et de ventilation Macurco

DVP-120, 12 autres panneaux d'incendie et de sécurité VDC ou 24 panneaux d'incendie ou de sécurité VDC ou des systèmes d'automatisation des bâtiments.

### AVERTISSEMENT (en)

Utiliser uniquement pour surveiller le gaz que le capteur et le moniteur sont conçus pour détecter. Le non-respect de cette mesure peut entraîner des expositions à des gaz non détectables et causer des blessures graves, voire mortelles. Pour une utilisation appropriée, consultez le superviseur ou le manuel d'utilisation, ou communiquez avec le service d'assistance technique au 1-844-325-3050.

## 2.2 Ne pas utiliser pour

Le CX-xx n'est pas conçu pour être utilisé dans des endroits dangereux ou des applications industrielles telles que les raffineries, les usines chimiques, etc. Ne pas monter le CX-xx lorsque la température ambiante normale est inférieure à 0°F ou supérieure à 125°F (-18°C ou supérieure à 52°C). Le CX-xx se monte sur une boîte électrique de type 4S fournie par l'entrepreneur. N'installez pas le CX-xx à l'intérieur d'une autre boîte à moins qu'il ait une bonne circulation d'air à travers elle.

### AVERTISSEMENT (en)

Cet équipement peut ne pas fonctionner efficacement en dessous de 0°F ou au-dessus de 125°F (-18°C ou au-dessus de 52°C). L'utilisation du détecteur à l'extérieur de cette plage de température peut nuire à la performance du produit.

## 2.3 Caractéristiques de l'

- ETL LISTED Certifié CSA C22.2 No 61010-1, Conforme à ul Std. 61010-1
- Compteur de bas niveau capable d'afficher de 0 à 200 ppm de CO et de 0 à 20 ppm de NO<sub>2</sub>
- Le CX-xx répond au Code du bâtiment uniforme pour les garages fermés et répond aux normes OSHA en matière d'exposition au CO et au NO<sub>2</sub>
- Activation sélectionnable du ventilateur et du relais d'alarme
- 5 Un relais de ventilateur SPDT contrôle les démarreurs des ventilateurs d'échappement
- 0,5 Un relais d'alarme N.O. ou N.C. se connecte à des dispositifs d'avertissement ou à des panneaux de contrôle
- Boucle de courant de 4-20 mA
- CX-xx se monte sur une boîte électrique 4x4 standard et devient couvercle pour la boîte
- Système supervisé : tout problème de détecteur interne fera activer le ventilateur et le relais d'alarme
- Le kit d'étalonnage est disponible. Une vis permet l'accès pour l'étalonnage ou l'essai de gaz

## 2.4 Les spécifications

- Poids d'expédition: 1 livre (0,45 kg)
- Taille: 4 1/2 x 4 x 2 1/8 po (11,4 X 11,4 X 5,3 cm)
- Couleur: Blanc ou Gris foncé
- Connexions: prises/bornes
- Boîte de montage: (non inclus) 4x4 électrique

- Relais de ventilateur : 5 A, 240 VAC, service pilote, SPDT, verrouillage ou non verrouillable
- Actionnement du relais du ventilateur pour le CO: sélectionnable à dIS (désactiver), 15, 25, 35 (par défaut), 50 ou 100 ppm
- Actionnement du relais du ventilateur pour NO<sub>2</sub>: sélectionnable à dIS (désactivé) 0,5, 0,7, 1,0, 1,2, 1,5, 1,7, 2,0, 2,2, 2,5 (par défaut), 2,7, 3,0, 3,2, 3,5, 3,7, 4,0, 4,2, 4,5, 4,7, 5,0 ppm
- Réglages de retard du ventilateur de 0, 1, 3 (par défaut), 5 et 10 minutes
- Les paramètres d'exécution minimum du relais de ventilateur sont de 0 (par défaut), 3, 5, 10 ou 15 minutes
- Verrouillage du relais du ventilateur ou non verrouillable (par défaut) sélectionnable
- Relais d'alarme: 0,5 A 120 V, 60 VA
- Actionnement du relais d'alarme: N.O. sélectionnable (par défaut) ou N.C.
- Paramètres de relais d'alarme pour CO: dIS, 50, 100, 150 et 200 ppm (par défaut)
- Paramètres du relais d'alarme pour NO<sub>2</sub>: dIS, 1, 2, 3, 4, 5 (par défaut), 6, 7, 8, 9, 10, 11, 12, 13, 14, 15, 16, 17, 18, 19, 20 ppm
- Boucle actuelle 4-20 mA, sélectionnable à 'bAS' (par défaut), 'EnH', OFF
- Paramètres de la période d'étalonnage: dis(default), 3, 6, 12 et 24 (mois)
- Avertisseur sonore: 85 dBA à 10cm settable à On (par défaut) ou OFF.
- Affichage numérique: DEL à 4 chiffres sélectionnable sur On (par défaut) ou OFF.
- Environnement d'exploitation: 0°F à 125° F (-18°C à 52°C), 10 à 90% HR non-condensation

#### 2.4.1 Basse tension de la série 6

- Puissance: 3 W (max) de 12 à 24 VAC ou 12 à 32 VDC
- Courant @ 24 VDC: 75 mA en alarme (deux relais), 50 mA (relais de ventilateur seulement) et 23 mA en veille

#### 2.4.2 Tension de ligne de la série 12

- Puissance: 100-240VAC (50 À 60 HZ)
- Courant: 1.0 A MAX

### 3 Mode d'emploi et d'installation

#### AVERTISSEMENT (en)

Ce détecteur aide à surveiller la présence et le niveau de concentration d'un certain gaz aéroporté spécifié. Une mauvaise utilisation peut produire une lecture inexacte, ce qui signifie que des niveaux plus élevés du gaz surveillé peuvent être présents et entraîner une surexposition et causer des blessures graves ou la mort. Pour une utilisation appropriée, consultez le superviseur ou le manuel d'utilisation, ou communiquez avec le service d'assistance technique au 1-844-325-3050.

#### 3.1 Emplacement de l'hôtel

Un CX-xx est normalement monté au niveau respiratoire, à environ 5 pieds (1,5 mètre) au-dessus du plancher sur un mur ou une colonne dans une zone centrale où le mouvement de l'air est généralement bon. L'unité peut, en moyenne, couvrir environ 5 000 pieds carrés (465 mètres carrés) à 7 500 pi<sup>2</sup> (697 mètres carrés). La couverture dépend du mouvement de l'air à l'intérieur de la pièce ou de l'installation. Des



détecteurs supplémentaires peuvent être nécessaires près de tous les endroits où les gens travaillent ou où l'air stagne. Certains des facteurs qui influent sur la zone de couverture sont le type d'application, les aires de travail et les mouvements du personnel, la taille de la pièce, le mouvement de l'air, la menace potentielle, l'emplacement de montage, ainsi que d'autres facteurs propres au site qui doivent être pris en considération. Veuillez vérifier les réglementations ou exigences locales avant l'installation. Le CX-xx se monte sur une boîte électrique 4x4 fournie par l'entrepreneur. N'installez pas le CX-xx à l'intérieur d'une autre boîte à moins qu'il ait une bonne circulation d'air à travers elle. Ne pas monter le CX-xx lorsque la température ambiante normale est inférieure à 0°F ou supérieure à 125°F (inférieure à -18°C ou supérieure à 52°C).

### AVERTISSEMENT (en)

Les bornes haute tension (120/240 VAC) sont situées à l'intérieur de ce détecteur (CX-12), ce qui présente un danger pour les techniciens d'entretien. Seuls des techniciens qualifiés doivent ouvrir le boîtier du détecteur et faire l'entretien des circuits internes. Assurez-vous que l'alimentation est hors tension des relais du détecteur avant d'entretenir l'appareil. Le non-respect de cette mesure peut entraîner un choc électrique.

## 3.2 L'installation

### 3.2.1 Basse tension de la série 6

1. Le CX-6 se monte sur une boîte électrique carrée de 4 po (ou 4 x 4 po) fournie par l'entrepreneur. Ne montez pas le CX-6 à l'intérieur d'une autre boîte, à moins qu'il n'ait un bon débit d'air à travers elle.
2. Branchez le CX-6 à l'alimentation de classe 2 seulement. Il est suggéré d'utiliser un transformateur distinct pour alimenter l'unité ou les unités en raison d'interférences possibles provenant d'autres appareils sur la même alimentation.
3. Branchez le CX-6 aux câbles de commande à l'aide de fiches de bornes. Lorsque vous faites des connexions, assurez-vous que l'alimentation est coupée.
4. Il y a deux bornes pour power: 12 à 24 VAC ou 12 à 32 VDC, sans préférence de polarité.
5. 4.5 Configuration « CON »
6. Le relais d'alarme peut être configuré pour s'ouvrir normalement (par défaut) (N.O.) ou normalement fermé (N.C.) et s'activera :
  - a. si la concentration de CO ou de NO<sub>2</sub> dépasse le point de départ de l'alarme. Il se désactivera une fois que la concentration de gaz descend sous le point de mise en alarme. Notez que la définition de « ArS.C » et « ArS.n » sur « diS » désactivera le relais d'alarme.
  - b. lors d'un test de mise sous tension « PUT ».
  - c. lorsqu'une situation de problème est présente.
7. 4.5 Configuration « CON »
8. Le relais du ventilateur peut être configuré pour le verrouillage ou le non-verrouillage (par défaut) lorsqu'il est activé (lorsque la concentration de gaz dépasse le point de réglage du relais du ventilateur). Une fois verrouillé, l'alimentation devra être interrompue ou le bouton « TEST » appuyé pour débrancher l'état du relais.
9. Le relais du ventilateur s'enclenche si la concentration de monoxyde de carbone ou de dioxyde d'azote du ventilateur est dépassée pendant plus longtemps que le temps de retard du relais du ventilateur. À moins

qu'il ne soit configuré pour le verrouillage, le relais du ventilateur se désengagera une fois que les deux conditions suivantes auront été remplies :

- La concentration de monoxyde de carbone et de dioxyde d'azote haest tombée sous le réglage du ventilateur
- Le temps d'exécution du relais du ventilateur a été dépassé

Notez que le réglage de désactivation du ventilateur fera en sorte que le relais du ventilateur ne s'enclenchera pas. Le relais du ventilateur s'enclenchera en état de panne (si l'option de réglage du ventilateur de dérangement est réglée sur « ON ») et se désengagera une fois que l'état de défaut de panne sera effacé.

10. La boucle actuelle est de 4 mA dans l'air pur et de 4-20 mA pour 0-200ppm CO et 4-20 mA pour 0-20ppm NO<sub>2</sub>. Il y a deux bornes et la polarité est marquée sur le connecteur.

**NOTE:** 22 à 12 fils AWG doivent être utilisés. Le fil utilisé doit respecter la plage de température du détecteur, c'est-à-dire de 0°F à 125°F (-18°C à 52°C).

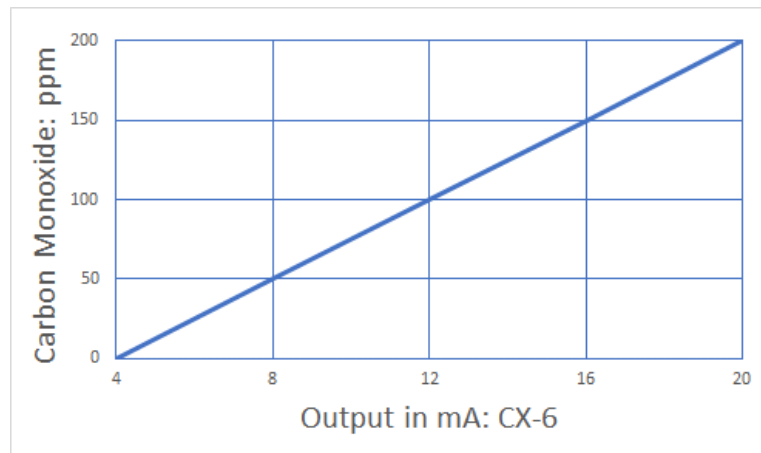


Figure 3-1 Diagramme de sortie co de 6 séries 4-20 mA

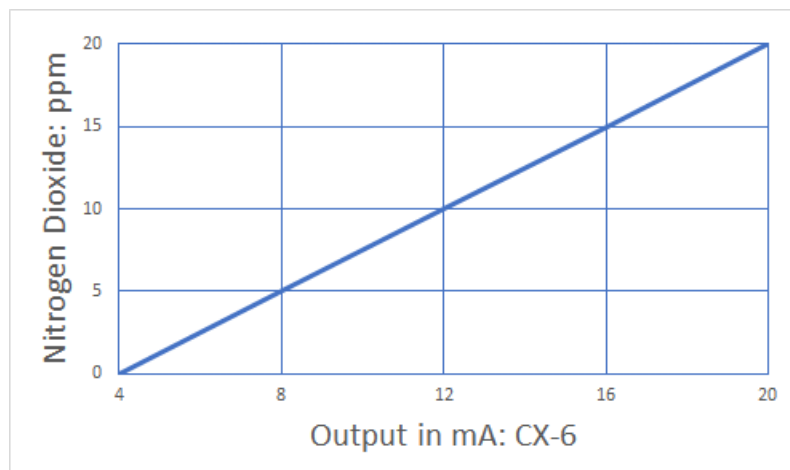


Figure 3-2 6 séries 4-20 mA NO<sub>2</sub> Diagramme de sortie

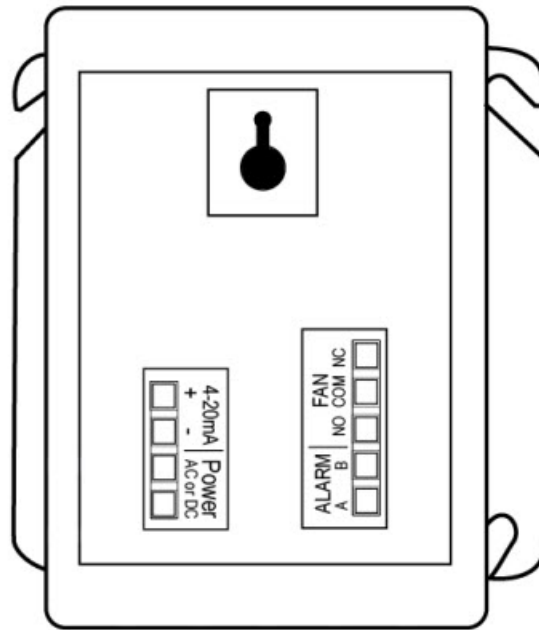


Figure 3-3 Vue arrière série 6

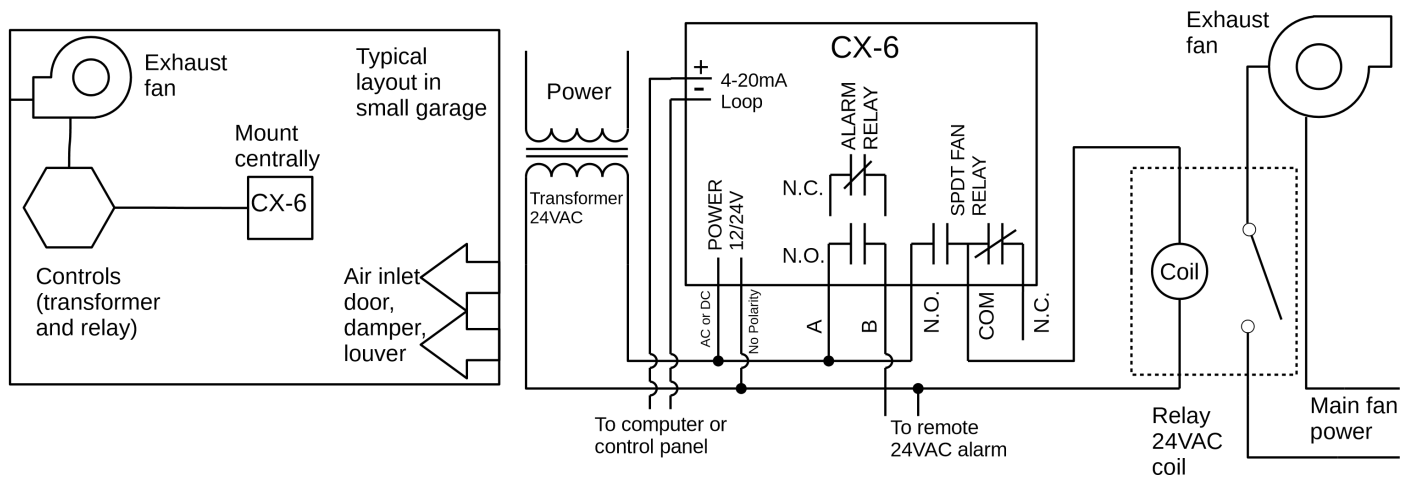


Figure 3-4 Installation typical T de 6 séries

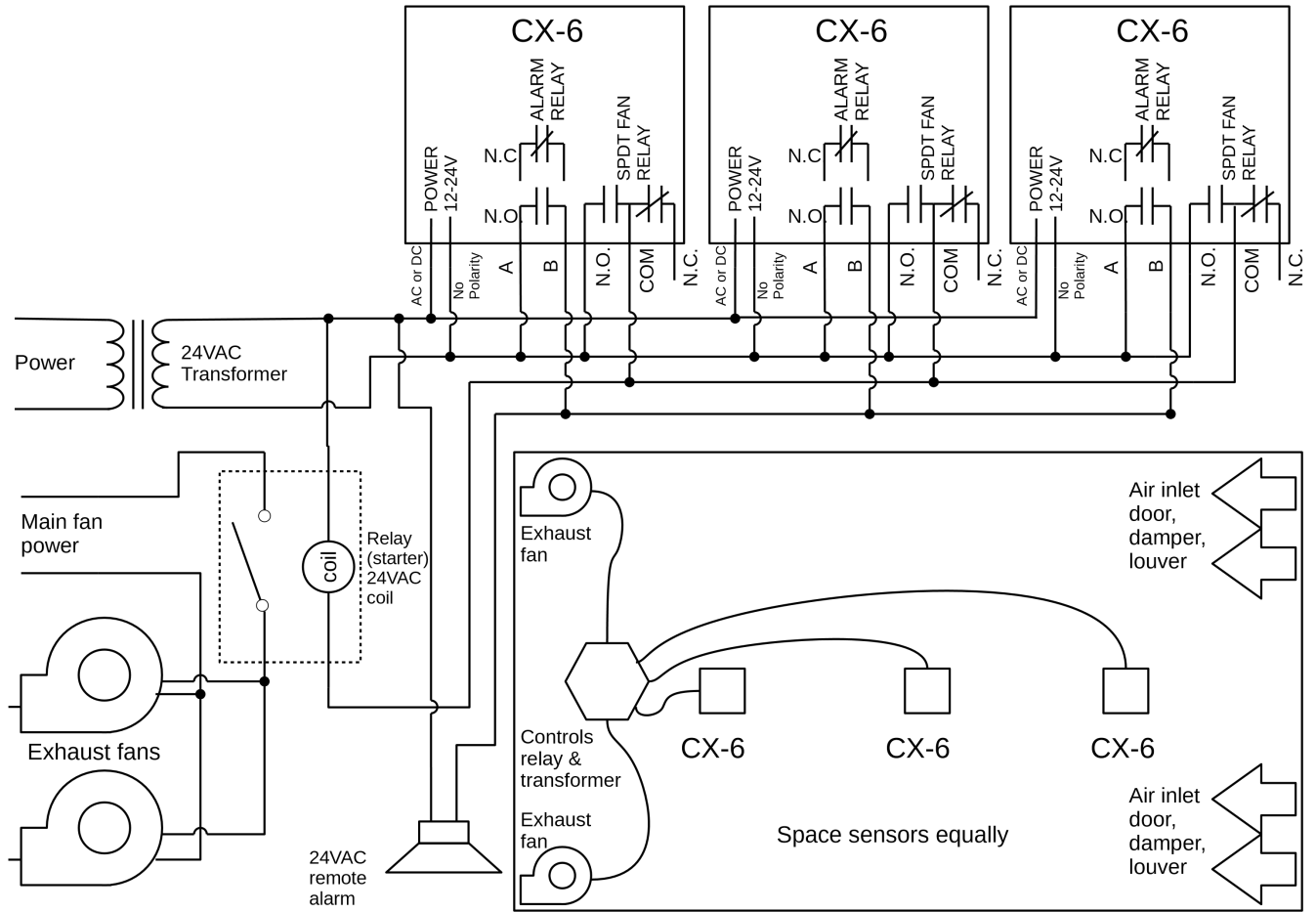


Figure 3-5 Appareils multiples de série 6s

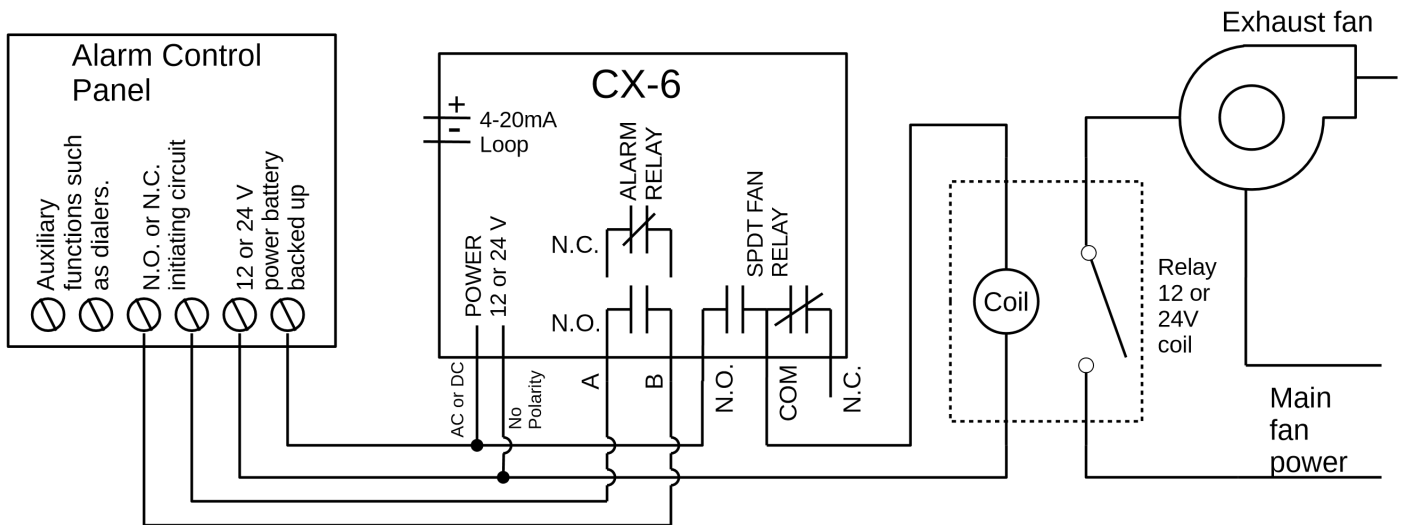


Figure 3-6 contrôle d'alarme de la série 6

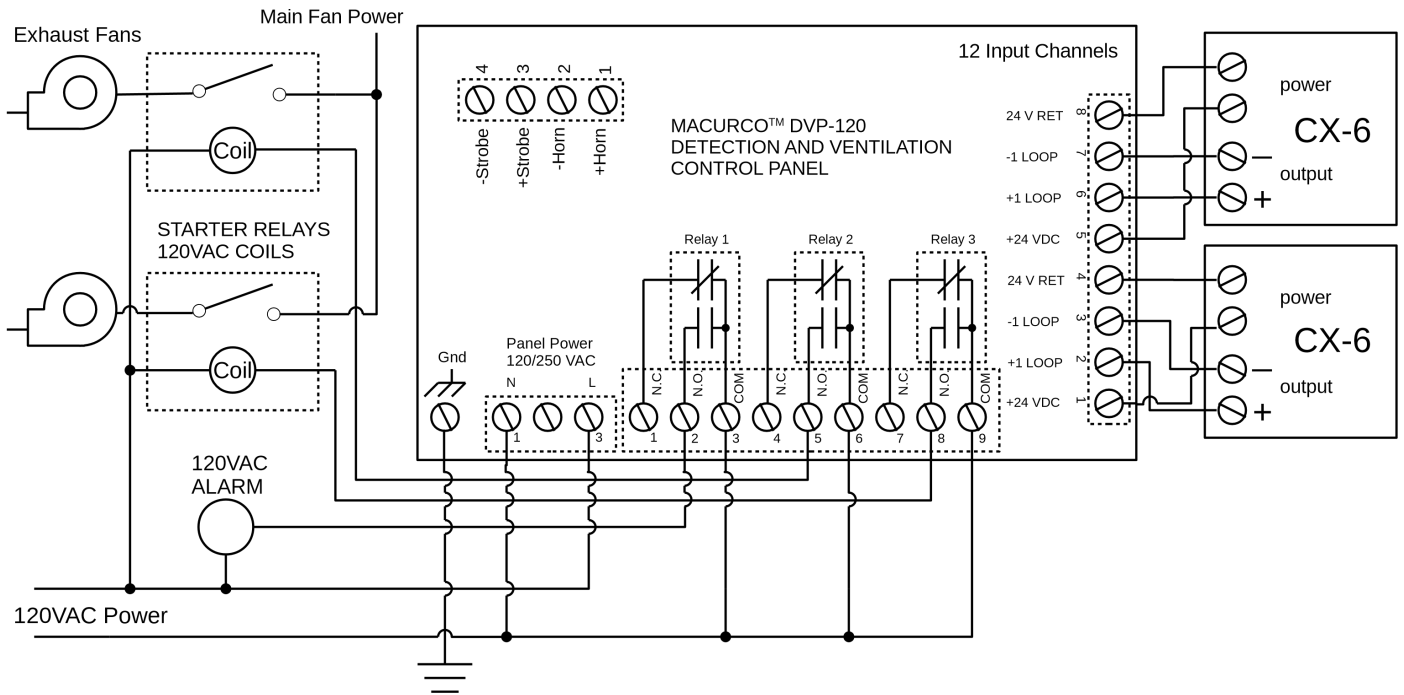


Figure 3-7 Panneau de contrôle DVP-120 de série 6

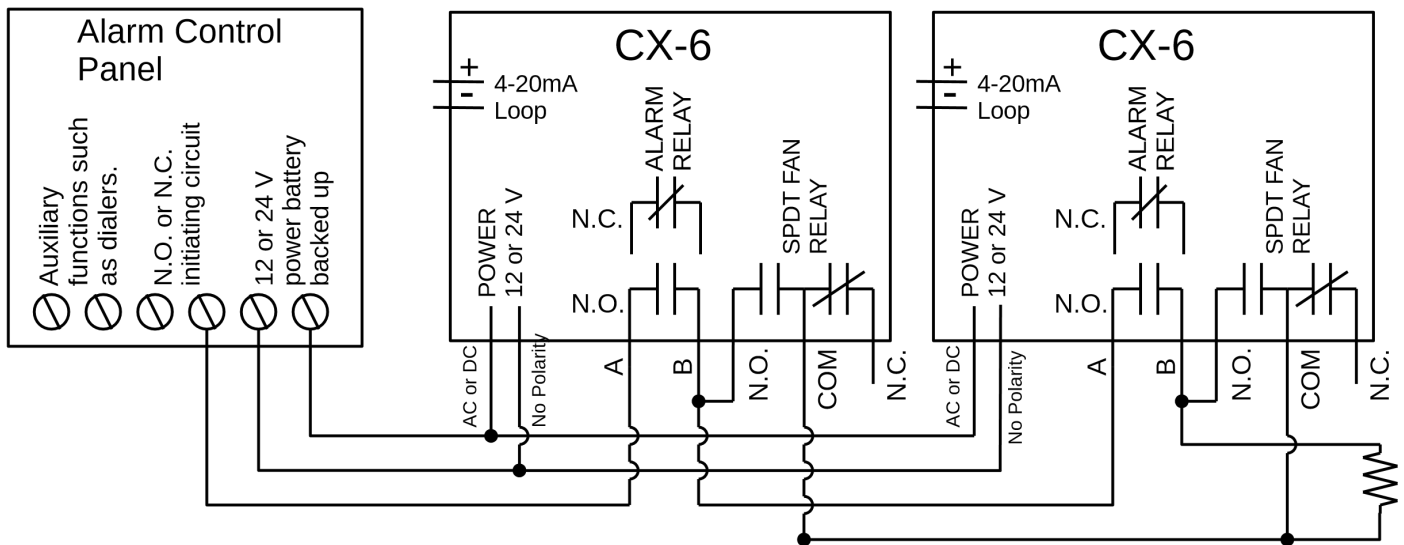


Figure 3-8 d'alarme alternatif de la série 6

Dans cette application (ci-dessus), le ventilateur ou le relais primaire est utilisé comme relais d'alarme de bas niveau. L'alarme ou le relais secondaire est utilisé comme relais de supervision lorsqu'il est utilisé dans la configuration normalement fermée. Le CX-6 surveille toutes les fonctions critiques de l'appareil grâce à des diagnostics logiciels qui testent et vérifient continuellement ses opérations. Si un problème est constaté, l'appareil passera en mode de

sécurité ou d'erreur ou en état de panne. Dans ce mode d'erreur, les relais Ventilateur\* et Alarme seront activés indiquant l'état de problème au panneau et l'affichage CX-6 clignotera l'erreur.

4.5.14 Sélectionnez Réglage du ventilateur de dérangement - « tFS »

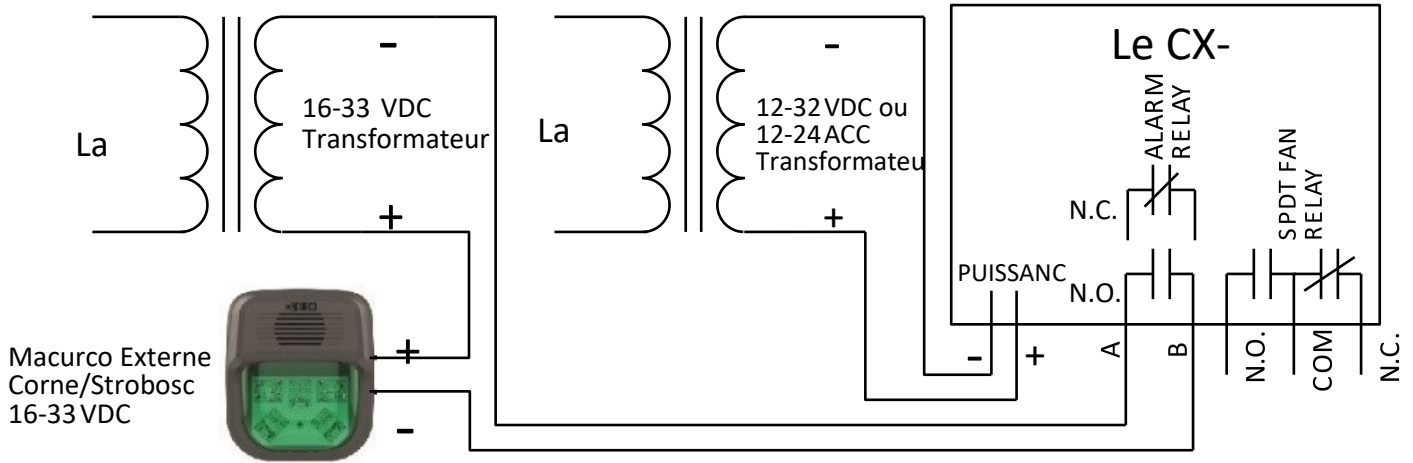


Figure 3-9 combiné corne et stroboscopique de série 6

Le numéro de modèle externe de klaxon/stroboscope de Macurco est HS-X, où X représente la couleur d'objectif, R pour la couverture rouge d'objectif, G pour la couverture verte d'objectif, B pour la couverture bleue d'objectif, A pour la couverture ambrée d'objectif, C pour la couverture claire d'objectif. La pression acoustique pour le modèle Horn/Strobe est d'au moins 85dB à 10 pieds.

### 3.2.2 Tension de ligne de la série 12

1. Le CX-12 se monte sur une boîte électrique carrée de 4 po (ou 4 x 4 po) fournie par l'entrepreneur. Ne montez pas le CX-12 à l'intérieur d'une autre boîte, à moins qu'il n'ait une bonne circulation d'air à travers elle.
2. Il y a deux bornes pour la connexion d'alimentation secteur étiquetées L (ligne) et N (neutre). Les branchements doivent être effectués conformément aux codes électriques nationaux et locaux. Seul le personnel qualifié doit brancher mains power à n'importe quel appareil.
3. Il y a deux bornes pour les contacts de relais.
4. Le relais d'alarme peut être configuré pour s'ouvrir normalement (par défaut) (N.O.) ou normalement fermé (N.C.) et s'activera :
  - a. si la concentration de CO ou de NO<sub>2</sub> dépasse le point de départ de l'alarme. Il se désactivera une fois que la concentration de gaz descend sous le point de mise en alarme. Notez que le fait de régler les paramètres « ArS.C » et « ArS.n » sur « diS » fera en sorte que le relais d'alarme ne s'enclenchera pas.
  - b. lors d'un test de mise sous tension « PUT ».
  - c. lorsqu'une situation de problème est présente.
5. Configuration « CON »
6. Le relais du ventilateur peut être configuré pour le verrouillage ou le non-verrouillage (par défaut) lorsqu'il est activé (lorsque la concentration de gaz dépasse le point de réglage du relais du ventilateur). Une fois verrouillé, l'alimentation devra être interrompue ou le bouton « TEST » appuyé pour débrancher l'état du relais.
7. Le relais du ventilateur s'enclenche si la concentration de monoxyde de carbone ou de dioxyde d'azote du ventilateur est dépassée pendant plus longtemps que le temps de retard du relais du ventilateur. À moins qu'il ne soit configuré pour le verrouillage, le relais du ventilateur se désengagera une fois que les deux conditions auront été remplies :
  - Les concentrations de monoxyde de carbone et de dioxyde d'azote sont tombées sous le réglage du ventilateur
  - Le temps d'exécution du relais du ventilateur a été dépasséNotez que le réglage de désactivation du ventilateur fera en sorte que le relais du ventilateur ne s'enclenchera pas. Le relais du ventilateur s'enclenchera en état de panne (si l'option de réglage du ventilateur de dérangement est réglée sur « ON ») et se désengagera une fois que l'état de défaut de panne sera effacé.
8. La boucle actuelle est de 4 mA dans l'air pur et de 4-20 mA pour 0-200ppm CO et 4-20 mA pour 0-20ppm NO<sub>2</sub>. Il y a deux bornes et la polarité est marquée sur le connecteur.

**NOTE:** 22 à 12 fils AWG doivent être utilisés. Le fil utilisé doit respecter la plage de température du détecteur, c'est-à-dire de 0°F à 125°F (-18°C à 52°C).

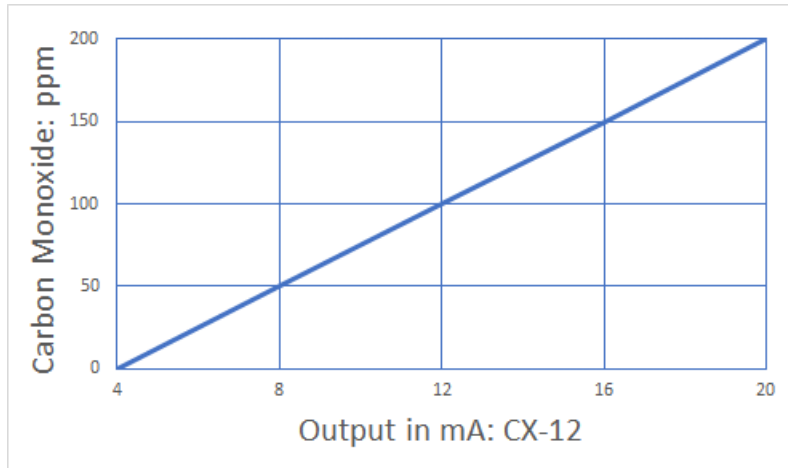


Figure 3-10 12 séries 4-20 mA Diagramme de sortie de CO

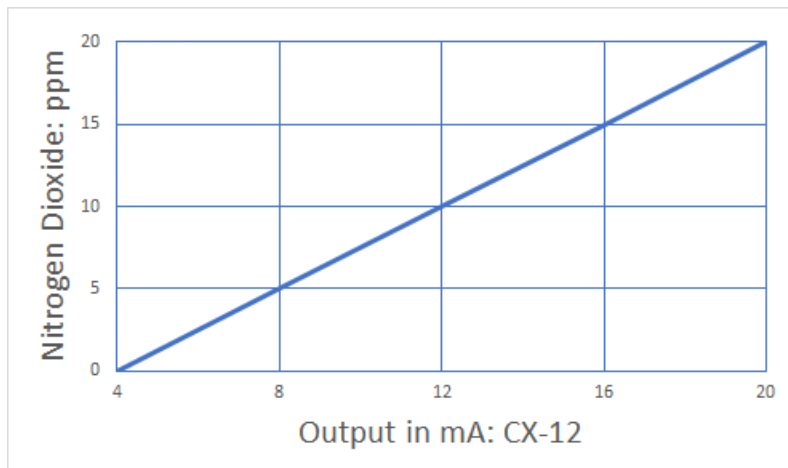


Figure 3-11 12 séries 4-20 mA NO2 Diagramme de sortie



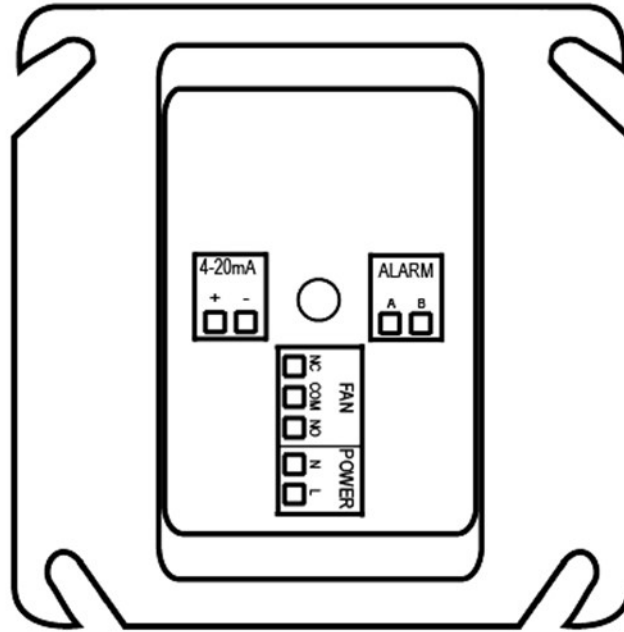


Figure 3-12 Vue arrière de la série 12

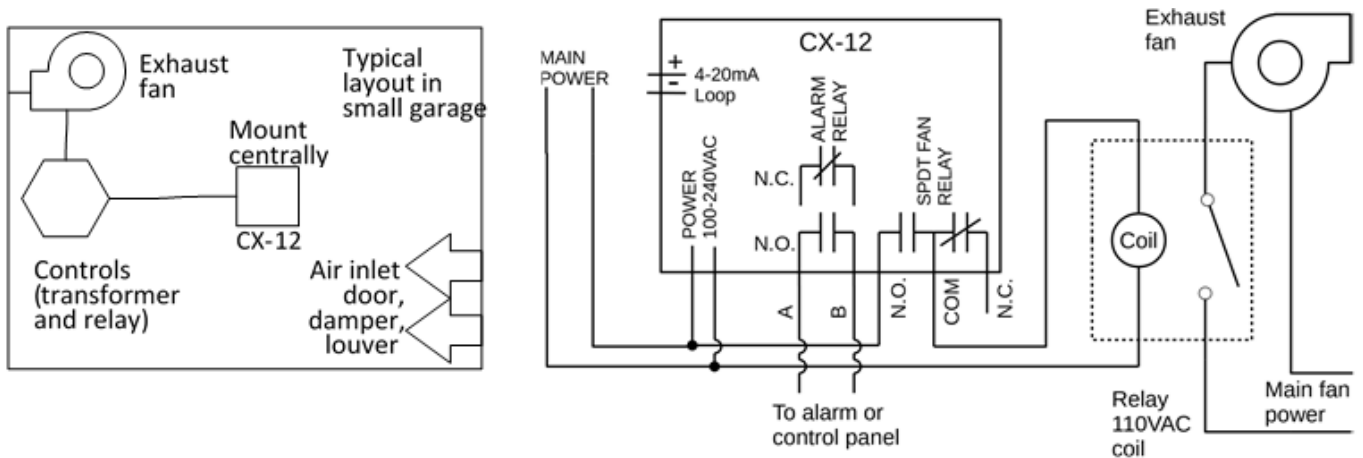


Figure 3-13 Installation typique de la série 12

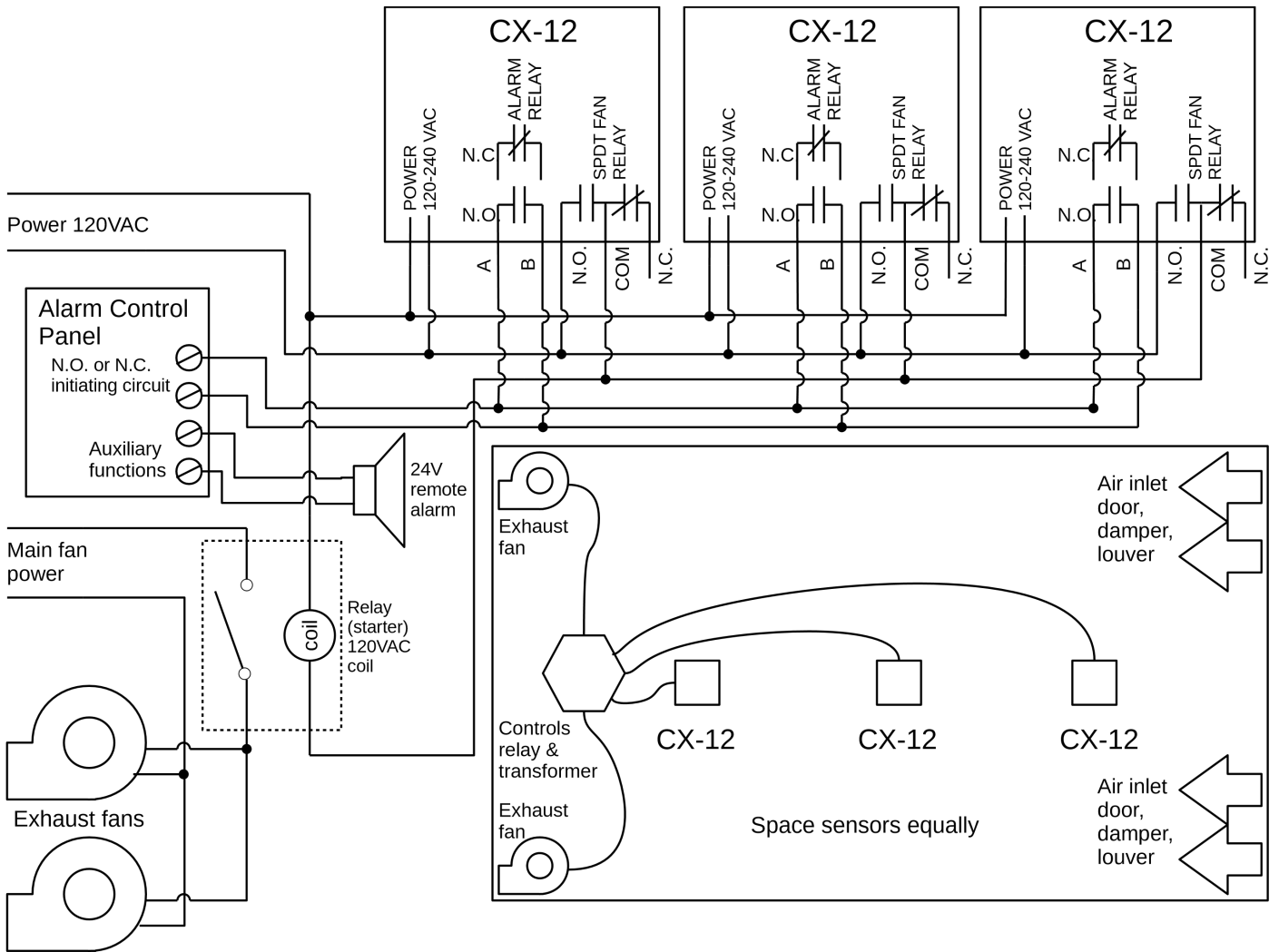


Figure 3-14 plusieurs appareils de la série 12

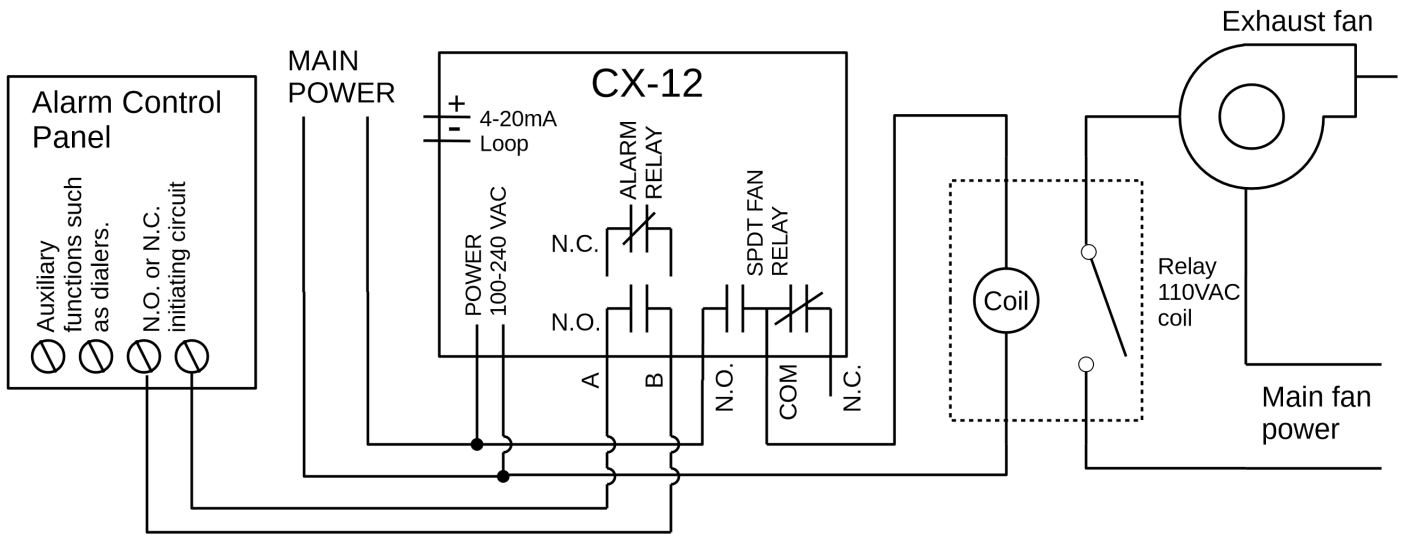


Figure 3-Panneau de contrôle 15 de la série 15 de 12

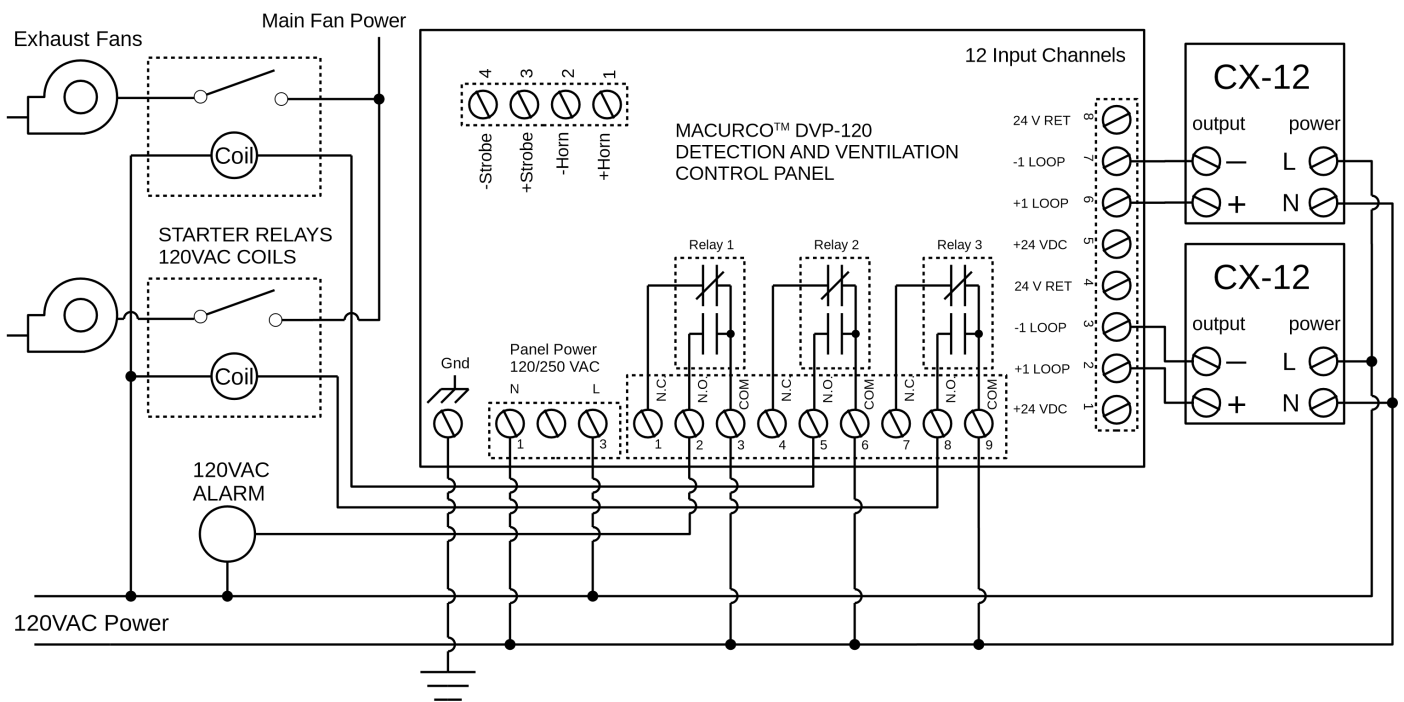


Figure 3-16 Panneau de contrôle DVP-120 série 12

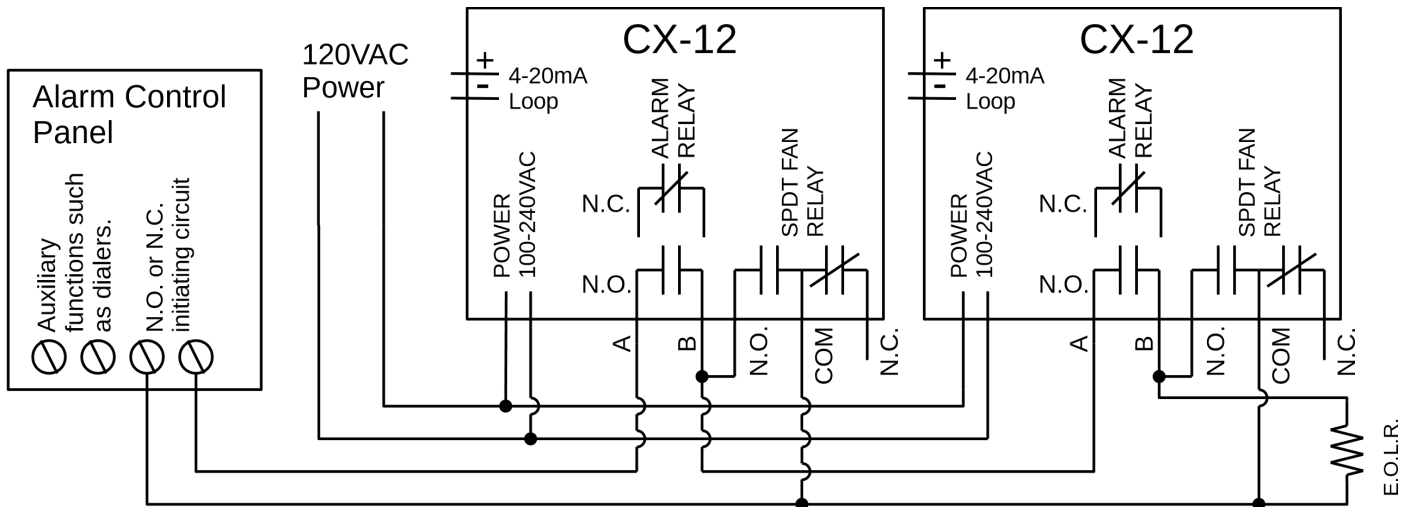


Figure 3-Panneau17 alternatif de la série 17

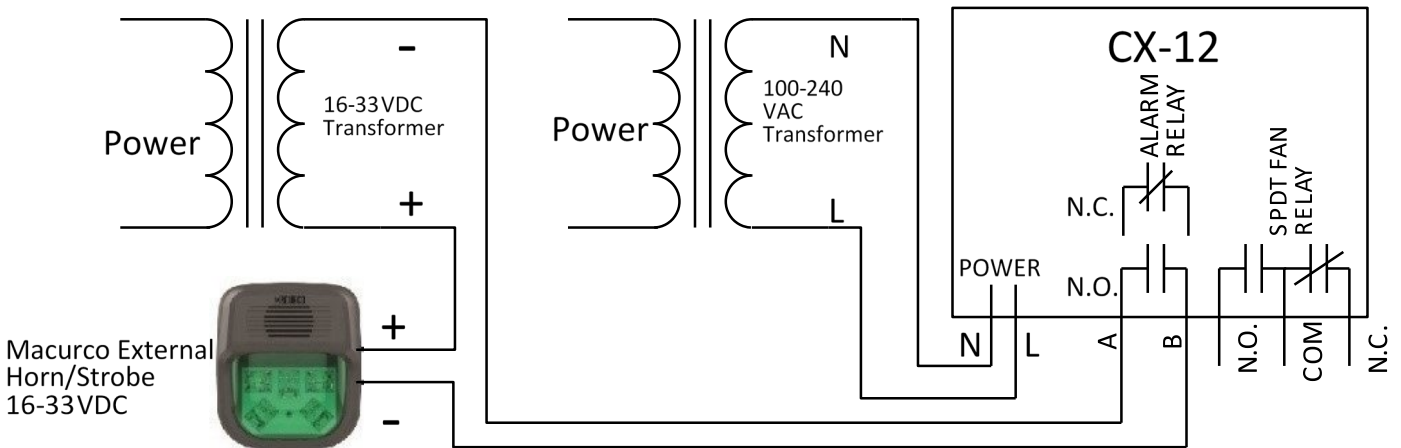


Figure 3-18 combiné corne et stroboscopique de la série 12

Le numéro de modèle externe de klaxon/stroboscope de Macurco est HS-X, où X représente la couleur d'objectif, R pour la couverture rouge d'objectif, G pour la couverture verte d'objectif, B pour la couverture bleue d'objectif, A pour la couverture ambrée d'objectif, C pour la couverture claire d'objectif. La pression acoustique pour le modèle Horn/Strobe est d'au moins 85dB à 10 pieds.

### 3.3 Connexion terminale

#### 3.3.1 Basse tension de la série 6

À l'exception de la terre de sécurité, tout le câblage sur le terrain est complété par des connecteurs modulaires (fournis). Après le câblage, il suffit de brancher les connecteurs modulaires dans les connecteurs correspondants à l'arrière du détecteur.

**NOTE:** 22 à 12 fils AWG doivent être utilisés. Le fil utilisé doit respecter la plage de température du détecteur, c'est-à-dire de 0°F à 125°F (-18°C à 52°C).

##### 3.3.1.1 Connexion d'alimentation secteur

Branchez le CX-6 à l'alimentation de classe 2 seulement. Il est suggéré d'utiliser un transformateur distinct pour alimenter l'unité ou les unités en raison d'interférences possibles provenant d'autres appareils sur la même alimentation. Branchez le CX-6 aux câbles de commande à l'aide de fiches de bornes. Lorsque vous faites des connexions, assurez-vous que l'alimentation est coupée. Il y a deux bornes pour power: 12 à 24 VAC ou 12 à 32 VDC, sans préférence de polarité

Assurez-vous que le fil ne peut pas être facilement tiré du connecteur. Branchez la connexion modulaire dans la connexion ventilateur/alimentation et assurez-vous qu'elle se verrouille correctement dans l'en-tête.

##### 3.3.1.2 Connexion au relais du ventilateur

Toutes les bornes de relais du ventilateur SPDT sont disponibles sur le connecteur modulaire Ventilateur/Alimentation. Chaque borne de relais du ventilateur normalement ouverte, commune et normalement fermée (NO, COM et NC) peut accueillir un fil de 12 à 22 AWG. Pour installer le câblage des relais, débranchez le connecteur de l'en-tête. Dénuder l'isolant de chaque fil d'environ 6,5 mm (1/4 po), insérer le fil nu dans la borne et serrer la pince à vis. Assurez-vous que le fil ne peut pas être facilement tiré du connecteur. Branchez la connexion modulaire dans la connexion ventilateur/alimentation et assurez-vous qu'elle se verrouille correctement dans l'en-tête.

##### 3.3.1.3 Connexion de relais d'alarme

Les connexions d'alarme externes (A et B) sont disponibles sur le connecteur modulaire Alarm. Il n'y a pas de polarité pour ces connexions. Pour installer le câblage des contacts d'alarme, débranchez le connecteur de l'en-tête du détecteur. Dénuder l'isolant de chaque fil d'environ 6,5 mm (1/4 po), insérer le fil nu dans la borne et serrer la pince à vis. Assurez-vous que le fil ne peut pas être facilement tiré du connecteur. Lorsque les fils sont connectés, placez le connecteur modulaire dans l'en-tête en vous assurant que le loquet s'enclenche.

##### 3.3.1.4 Connexion de signal de 4 à 20 mA

Les connexions de signal positives et négatives de 4-20mA (+ et -) sont disponibles au connecteur modulaire 4-20mA, un connecteur à 2 positions. Pour installer le câblage des contacts de 4 à 20 mA, débranchez le connecteur de l'en-tête du détecteur. Dénuder l'isolant de chaque fil d'environ 6,5 mm (1/4 po), insérer le fil nu dans la borne et serrer la pince à vis. Assurez-vous que le fil ne peut pas être facilement tiré du connecteur. Lorsque les fils sont connectés, placez le connecteur modulaire dans l'en-tête en vous assurant que le loquet s'enclenche.

### 3.3.2 Tension de ligne de la série 12

À l'exception de la terre de sécurité, tout le câblage sur le terrain est complété par des connecteurs modulaires (fournis). Après le câblage, il suffit de brancher les connecteurs modulaires dans les connecteurs correspondants à l'arrière du détecteur.

**NOTE:** 22 à 12 fils AWG doivent être utilisés. Le fil utilisé doit respecter la plage de température du détecteur, c'est-à-dire de 0°F à 125°F (-18°C à 52°C).

#### 3.3.2.1 Connexion d'alimentation

Les branchements doivent être effectués conformément aux codes électriques nationaux et locaux. Seul le personnel qualifié doit brancher l'alimentation secteur à n'importe quel appareil. Macurco recommande une taille de fil minimale d'AWG18 et l'isolant de fil doit être évalué pour un service de 140 °F (60 °C). Le connecteur modulaire acceptera le fil de 12 à 22 AWG.

Le fil de mise à la terre de sécurité doit être fixé à la vis de mise à la terre de la boîte électrique métallique. Serrez la vis et assurez-vous que le fil est bien serré. Assurez-vous que le fil ne peut pas être retiré de sous la vis.

Les fils Line (L) et Neutral (N) doivent être dépouillés de 1/4 po (6,5 mm), insérer le fil dans les positions de fil « L » et « N » du connecteur modulaire ventilateur/alimentation et serrer la pince à vis. Assurez-vous que le fil ne peut pas être facilement tiré du connecteur. Branchez la connexion modulaire dans la connexion ventilateur/alimentation et assurez-vous qu'elle se verrouille correctement dans l'en-tête.

#### 3.3.2.2 Connexion au relais du ventilateur

Toutes les bornes de relais du ventilateur SPDT sont disponibles sur le connecteur modulaire Ventilateur/Alimentation. Chaque borne de relais du ventilateur normalement ouverte, commune et normalement fermée (NO, COM et NC) peut accueillir un fil de 12 à 22 AWG. Pour installer le câblage des relais, débranchez le connecteur de l'en-tête. Dénuder l'isolant de chaque fil d'environ 6,5 mm (1/4 po), insérer le fil nu dans la borne et serrer la pince à vis. Assurez-vous que le fil ne peut pas être facilement tiré du connecteur. Branchez la connexion modulaire dans la connexion ventilateur/alimentation et assurez-vous qu'elle se verrouille correctement dans l'en-tête.

#### 3.3.2.3 Connexion de relais d'alarme

Les connexions d'alarme externes (A et B) sont disponibles sur le connecteur modulaire Alarm. Il n'y a pas de polarité pour ces connexions. Pour installer le câblage des contacts d'alarme, débranchez le connecteur de l'en-tête du détecteur. Dénuder l'isolant de chaque fil d'environ 6,5 mm (1/4 po), insérer le fil nu dans la borne et serrer la pince à vis. Assurez-vous que le fil ne peut pas être facilement tiré du connecteur. Lorsque les fils sont connectés, placez le connecteur modulaire dans l'en-tête en vous assurant que le loquet s'enclenche.

#### 3.3.2.4 4-20 mA Connexion de signal

Les connexions de signal positives et négatives de 4-20mA (+ et -) sont disponibles au connecteur modulaire 4-20mA, un connecteur à 2 positions. Pour installer le câblage des contacts de 4 à 20 mA, débranchez le connecteur de l'en-tête du détecteur. Dénuder l'isolant de chaque fil d'environ 6,5 mm (1/4 po), insérer le fil nu dans la borne et serrer la pince à vis. Assurez-vous que le fil ne peut pas être facilement tiré du connecteur. Lorsque les fils sont connectés, placez le connecteur modulaire dans l'en-tête en vous assurant que le loquet s'enclenche.

## 4 Opérations et opérations

### 4.1 Mise sous tension

Le CX-xx passe par un cycle d'autotest interne pendant la première minute où il est alimenté. L'appareil exécutera le cycle d'essai chaque fois que l'alimentation est tombée et réappliquée (c.-à-d. panne de courant).

Pendant le cycle d'auto-test, l'appareil:

- Affichez le numéro de version du microprogramme, puis compte à rebours de 60 à 0 (si le paramètre d'affichage est « Allumé »).
- Le relais d'alarme sera activé pendant 10 secondes et le relais du ventilateur pendant 60 secondes pendant le cycle de mise sous tension (si put est allumé).
- Le témoin lumineux (DEL) clignotera en vert pendant le cycle d'auto-test.
- 4-20mA montera jusqu'à 16mA pendant l'échauffement (si 420 est ON et PUt est ON).
- À la fin du cycle d'une minute, l'appareil préleva son premier échantillon d'air et le témoin lumineux deviendra vert.

### 4.2 Affichage activé

Lorsque le réglage de l'affichage (« dSP ») est activé, le détecteur fonctionne comme suit:

**Air pur** – Le CX-xx clignotera entre la concentration actuelle de CO ppm et la concentration actuelle de NO<sub>2</sub> ppm. La lecture du CO commencera par un C et la lecture no<sub>2</sub> commencera par un n.

**Relais du ventilateur Level** – Lorsque la concentration de CO ou de NO<sub>2</sub> atteint le réglage du relais du ventilateur et que la période de retard de course du ventilateur « Frd » est écoulée, l'affichage clignote entre « Fan » et la concentration actuelle de gaz. La séquence d'affichage lorsque le relais du ventilateur est activé est: "Fan", CO ("CXXX") lecture, no<sub>2</sub> lecture ("n Y.Y").

**Niveau du relais d'alarme** – Lorsque la concentration de CO ou de NO<sub>2</sub> atteint le réglage du relais d'alarme, l'affichage clignote entre « ALr » et la concentration actuelle de gaz. La séquence d'affichage when le relais d'alarme est activée est: « ALr », CO Reading ("CXXX"), NO<sub>2</sub> reading ("nY.Y"). L'avertisseur sonore sonnera en indiquant « Alarme » si l'avertisseur sonore est allumé.

**Problème** – Lorsque l'appareil est en état de problème, l'affichage affiche le code d'erreur t (t0 01 par exemple) et le relais d'alarme s'active. Si le réglage du ventilateur de dérangement est activé, le relais du ventilateur s'activera. Voir la section 5.1.2 Codes de dérangement 4.5.14 dérangement - « tFS »

**REMARQUE** : Les états de dérangement liés aux capteurs CO et NO<sub>2</sub> sont représentés par différents codes d'erreur « t ». Ainsi, s'il n'y a aucune erreur pour le capteur CO ou NO<sub>2</sub> seulement, l'affichage alternera entre le code de dérangement pour le capteur dans l'état de problème et la lecture de gaz pour le capteur dans l'état normal.

**Étalonnage dû** – Lorsque la fonctionnalité période d'étalonnage est activée et que le détecteur se trouve dans un délai d'un mois à partir de la période d'étalonnage, le message Calibration Due s'affiche. Calibration Due est indiqué par « CdUE » (pour le capteur CO) et « ndUE » (pour le capteur NO<sub>2</sub>). Lorsque les capteurs CO et NO<sub>2</sub> sont en Calibration Due, la séquence d'affichage sera "CdUE", lecture CO, "ndUE", lecture NO<sub>2</sub>.

Calibration Due n'est résolu qu'avec un étalonnage réussi sur le terrain.

REMARQUE : Si un ventilateur ou un relais d'alarme est activé pendant l'étalonnage en raison, 'Fan' ou 'ALr' seront ajoutés à la fin de la séquence d'affichage pour l'étalonnage dû.

### 4.3 Affichage désactivé

Lorsque le réglage de l'affichage (« dSP ») est désactivé, le détecteur fonctionne comme suit:

**Air pur** – L'affichage n'indique pas la concentration de CO ou de NO<sub>2</sub>. Seul le témoin lumineux d'alimentation allumé s'allume.

**Niveau du relais du ventilateur** – Lorsque la concentration de CO ou de NO<sub>2</sub> atteint le réglage du relais du ventilateur et que le délai de fonctionnement du ventilateur est écoulé, l'affichage indique continuellement « FAn ».

**Niveau du relais d'alarme** – L'affichage n'indique pas la concentration de CO ou de NO<sub>2</sub>, mais indique « ALr » lorsque le relais d'alarme est activé. L'avertisseur sonore sonnera en indiquant « Alarme » si l'avertisseur sonore est allumé.

**Problème** – Lorsque l'appareil est en état de problème, l'affichage affiche le code d'erreur t (t0 01 par exemple) et le relais d'alarme s'active. Si le réglage du ventilateur de dérangement est activé, le relais du ventilateur s'allume en activant le relais. Voir la section 5.1.2 Codes de dérangement 4.5.14 Sélectionnez Réglage du ventilateur de dérangement - « tFS ».

**Étalonnage dû** – Lorsque la fonctionnalité Période d'étalonnage est activée et que le détecteur se trouve dans un délai d'un mois à partir de la période d'étalonnage, le message Calibration Due s'affiche. Calibration Due est indiqué par « CdUE » (pour le capteur co) et « ndUE » (pour le capteur NO<sub>2</sub>). Lorsque le capteur CO et NO<sub>2</sub> est en Calibration Due, la séquence d'affichage sera "CdUE", "ndUE".

Calibration Due n'est résolu qu'avec un étalonnage réussi sur le terrain.

REMARQUE : Si un ventilateur ou un relais d'alarme est activé pendant l'étalonnage en raison, 'Fan' ou 'ALr' seront ajoutés à la fin de la séquence d'affichage.

### 4.4 Boucle de 4-20mA

Dans High Mode « HigH », la sortie correspondra à la sortie plus élevée des deux capteurs. Par exemple, une lecture de CO de 50 ppm correspond à une sortie de 8mA et une lecture NO<sub>2</sub> de 10 ppm correspond à une sortie de 12mA. La sortie en mode élevé sera de 12mA.

**REMARQUE:** Le mode élevé ne doit être utilisé que lorsque le détecteur est utilisé comme unité autonome. Le mode **double doit** être utilisé lorsque le détecteur est connecté à un panneau de contrôle Macurco DVP.

En mode double « dUAL », le courant fluctue entre différentes valeurs lorsqu'il est mesuré à l'aide d'un mmètre. Il représentera les lectures co et no<sub>2</sub> simultanément à l'aide d'un signal lisible par un panneau Macurco DVP.

**Air pur** – Lorsque la fonction 4-20 mA est activée en mode HigH et que la concentration actuelle de gaz est de 0 (zéro), la boucle de 4 à 20 mA produit 4 mA.

**Lecture du gaz** – Lorsque la fonction 4-20 mA est activée en mode HigH, la sortie se lit entre 4 mA et 20 mA selon la concentration actuelle de gaz.



**Problème** – Lorsque la fonction 4-20 mA est activée en mode High et que le réglage du ventilateur de dérangement est activé, la boucle de 4 à 20 mA produit 1 mA ou 24 mA selon l'état de la difficulté. Voir la 5.1Diagnostics à bord

#### 4.5 Configuration « CON »

Pour modifier les réglages, retirez la vis Philips à l'avant du CX-xx. Retirez le couvercle avant de l'appareil. Localisez les boutons MENU et ENTER en haut à gauche de la carte.

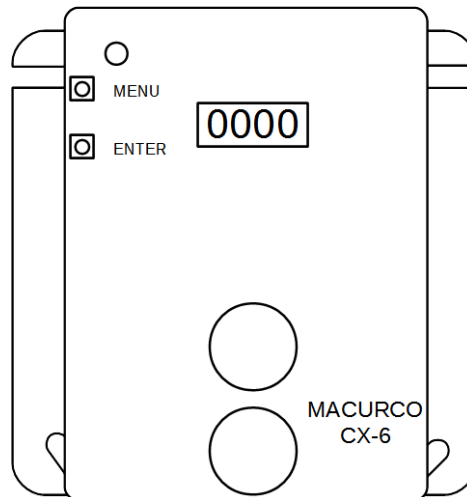


Figure 4-1 - Vue du conseil d'administration

##### 4.5.1 Par défaut - Paramètres d'usine

Le CX-xx est pré-programmé avec les paramètres par défaut suivants:

Définition de la description	Affichage de l'écran	Paramètre par défaut
Test de mise sous tension	Le PUT	Le
Affichage de l'écran	DSP	Le
Avertisseur sonore	bUZ (en)	Le
Réglage du relais d'alarme au CO	ArS.C	200
NO <sub>2</sub> Réglage du relais d'alarme	ArS.n (en)	5
Configuration du relais d'alarme	Arc d'arc	Non
Réglage du relais du ventilateur de CO	Le Père .C	35
NO <sub>2</sub> Réglage du relais du ventilateur	FrS.n (en)	2.5
Retard de relais de ventilateur	Frd Frd	3
Temps d'exécution minimum de relais de ventilateur	Frr Frr	0
Verrouillage du relais du ventilateur	FrL (en)	ARRÊT
Réglage du ventilateur de dérangement	tFS (en)	ARRÊT
4 à 20 mA	420	BAS (en)
Mode 4-20 mA	420,n (en)	DUAL
Période d'étalonnage du CO	La CAL. C (en)	diS (en)
NO <sub>2</sub> Période d'étalonnage	Cal.n (cal.n)	diS (en)

#### 4.5.2 Sélectionnez Configuration par défaut - « dEF ».

##### 4.5.2 Sélectionnez Configuration par défaut - « dEF »

Les options disponibles sont OUI, nO.

**REMARQUE:** Ce menu ne peut pas être modifié lorsque le CX-xx est en étalonnage en cours ou que le calibrage est en retard. (Voir la période d'étalonnage – CAL pour plus d'informations sur l'étalonnage dû et l'étalonnage en retard.)

Pour sélectionner la configuration par défaut (cela réinitialisera l'appareil à ses paramètres par défaut), en mode normal :

1. Appuyez **sur le** bouton Suivant pour vous rendre à Con ou au menu Configuration.
2. Appuyez **sur le** bouton Entrée pour entrer dans le menu Con.
3. La première sélection est le paramètre dEF ou Default. Appuyez **sur Entrée**.
4. S'il est déjà en configuration par défaut, « OUI » s'affiche et il n'y aura pas d'action disponible. S'il n'est pas déjà en configuration par défaut, nO s'affiche.
5. Appuyez **ensuite** pour le changer en OUI (l'affichage commencera à clignoter).
6. Appuyez **sur Entrée** pour confirmer la réinitialisation de l'appareil à ses paramètres par défaut (l'affichage cessera de clignoter).
7. Appuyez **une** fois de plus sur Entrée pour revenir au menu de configuration.
8. Appuyez **sur Suivant** jusqu'à ce que la fin s'affiche.
9. Appuyez **sur** Entrée pour revenir au fonctionnement normal.

##### 4.5.3 Sélectionnez Réglage du test de mise sous tension - « PUt »

Les options disponibles sont « On » (par défaut), « OFF ».

Pour sélectionner la configuration du test de mise sous tension, en mode normal :

1. Appuyez **sur le** bouton Suivant pour vous rendre à Con ou au menu Configuration.
2. Appuyez **sur le** bouton Entrée pour entrer dans le menu Con.
3. Appuyez **sur** Suivant 1 fois pour vous rendre à la configuration du test PUt ou Power Up.
4. Appuyez **sur Entrée**. L'affichage indique le réglage actuel.
5. Appuyez **sur** Suivant pour parcourir les paramètres disponibles (l'affichage commencera à clignoter).
6. Appuyez **sur** Entrée pour confirmer le nouveau réglage (l'affichage cessera de clignoter).
7. Appuyez **une** fois de plus sur Entrée pour revenir au menu de configuration.
8. Appuyez **sur Suivant** jusqu'à ce que la fin s'affiche.
9. Appuyez **sur** Entrée pour revenir au fonctionnement normal.

##### 4.5.4 Sélectionnez Configuration de l'affichage - « dSP »

Les options disponibles sont « On » (par défaut), « OFF ».

Pour sélectionner la configuration d'affichage, en mode normal:

1. Appuyez **sur le** bouton Suivant pour vous rendre à Con ou au menu Configuration.
2. Appuyez **sur le** bouton Entrée pour entrer dans le menu Con.
3. Appuyez **sur** Suivant 2 fois pour vous rendre à la configuration dSP ou Display.
4. Appuyez **sur Entrée**. L'affichage indique le réglage actuel.
5. Appuyez **sur** Suivant pour parcourir les paramètres disponibles (l'affichage commencera à clignoter).
6. Appuyez **sur** Entrée pour confirmer le nouveau réglage (l'affichage cessera de clignoter).
7. Appuyez **une** fois de plus sur Entrée pour revenir au menu de configuration.
8. Appuyez **sur Suivant** jusqu'à ce que la fin s'affiche.
9. Appuyez **sur** Entrée pour revenir au fonctionnement normal.

#### 4.5.5 Sélectionnez Configuration de l'avertisseur sonore - « bUZ »

Les options disponibles sont « On » (par défaut), « OFF ».

Pour sélectionner la configuration de l'avertisseur sonore, en mode normal:

1. Appuyez **sur le** bouton Suivant pour vous rendre à Con ou au menu Configuration.
2. Appuyez **sur le** bouton Entrée pour entrer dans le menu Con.
3. Appuyez **sur** Suivant 3 fois pour obtenir le réglage bUZ ou Buzzer.
4. Appuyez **sur Entrée**. L'affichage indique le réglage actuel.
5. Appuyez **sur** Suivant pour parcourir les paramètres disponibles (l'affichage commencera à clignoter).
6. Appuyez **sur** Entrée pour confirmer le nouveau réglage (l'affichage cessera de clignoter).
7. Appuyez **une** fois de plus sur Entrée pour revenir au menu de configuration.
8. Appuyez **sur Suivant** jusqu'à ce que la fin s'affiche.
9. Appuyez **sur** Entrée pour revenir au fonctionnement normal.

#### 4.5.6 Sélectionnez Réglage du relais d'alarme pour co - « ArS. Cpo

Les options disponibles sont diS, 50, 100, 150, 200 (par défaut).

Pour sélectionner le réglage du relais d'alarme pour le CO, en mode normal:

1. Appuyez **sur le** bouton Suivant pour vous rendre à Con ou au menu Configuration.
2. Appuyez **sur le** bouton Entrée pour entrer dans le menu Con.
3. Appuyez **sur** Suivant 4 fois pour vous rendre à « ArS.C » ou au réglage du relais d'alarme pour le CO.
4. Appuyez **sur Entrée**. L'affichage indique le réglage actuel.
5. Appuyez **sur** Suivant pour parcourir les paramètres disponibles (l'affichage commencera à clignoter).
6. Appuyez **sur** Entrée pour confirmer le nouveau réglage (l'affichage cessera de clignoter).
7. Appuyez **une** fois de plus sur Entrée pour revenir au menu de configuration.
8. Appuyez **sur Suivant** jusqu'à ce que la fin s'affiche.
9. Appuyez **sur** Entrée pour revenir au fonctionnement normal.

#### 4.5.7 Sélectionnez Réglage du relais d'alarme pour NO<sub>2</sub> - « ArS.n »

Les options disponibles sont « diS », 1,0, 2,0, 3,0, 4,0, 5,0 (par défaut), 6,0, 7,0, 8,0, 9,0, 10,0, 11,0, 12,0, 13,0, 14,0, 15,0, 16,0, 17,0, 18,0, 19,0, 20,0.

Pour sélectionner le réglage du relais d'alarme pour NO<sub>2</sub>, en mode normal:

1. Appuyez **sur le** bouton Suivant pour vous rendre à Con ou au menu Configuration.
2. Appuyez **sur le** bouton Entrée pour entrer dans le menu Con.
3. Appuyez **sur** Suivant 5 fois pour vous rendre à « ArS.C » ou au réglage du relais d'alarme pour NO<sub>2</sub>.
4. Appuyez **sur Entrée**. L'affichage indique le réglage actuel.
5. Appuyez **sur** Suivant pour parcourir les paramètres disponibles (l'affichage commencera à clignoter).
6. Appuyez **sur** Entrée pour confirmer le nouveau réglage (l'affichage cessera de clignoter).
7. Appuyez **une** fois de plus sur Entrée pour revenir au menu de configuration.
8. Appuyez **sur Suivant** jusqu'à ce que la fin s'affiche.
9. Appuyez **sur** Entrée pour revenir au fonctionnement normal.

#### 4.5.8 Sélectionnez Configuration du relais d'alarme -Arc

Les options disponibles sont « nO » (par défaut), « nC ».

Pour sélectionner la configuration du relais d'alarme, en mode normal:

1. Appuyez **sur le** bouton Suivant pour vous rendre à Con ou au menu Configuration.
2. Appuyez **sur le** bouton Entrée pour entrer dans le menu Con.
3. Appuyez **sur** Suivant 6 fois pour vous rendre à la configuration arc ou de relais d'alarme.
4. Appuyez **sur Entrée**. L'affichage indique le réglage actuel.
5. Appuyez **sur** Suivant pour parcourir les paramètres disponibles (l'affichage commencera à clignoter).
6. Appuyez **sur** Entrée pour confirmer le nouveau réglage (l'affichage cessera de clignoter).
7. Appuyez **une** fois de plus sur Entrée pour revenir au menu de configuration.
8. Appuyez **sur Suivant** jusqu'à ce que la fin s'affiche.
9. Appuyez **sur** Entrée pour revenir au fonctionnement normal.

#### 4.5.9 Sélectionnez Réglage du relais de ventilateur pour co - « FrS.C »

Les options disponibles sont " diS ", 15, 25, 35 (par défaut), 50, 100.

Pour sélectionner le réglage du relais du ventilateur pour le CO, en mode normal:

1. Appuyez **sur le** bouton Suivant pour vous rendre à Con ou au menu Configuration.
2. Appuyez **sur le** bouton Entrée pour entrer dans le menu Con.
3. Appuyez **sur** Suivant 7 fois pour vous rendre au réglage « FrS.C » ou au relais de ventilateur pour le CO.
4. Appuyez **sur Entrée**. L'affichage indique le réglage actuel.
5. Appuyez **sur** Suivant pour parcourir les paramètres disponibles (l'affichage commencera à clignoter).
6. Appuyez **sur** Entrée pour confirmer le nouveau réglage (l'affichage cessera de clignoter).
7. Appuyez **une** fois de plus sur Entrée pour revenir au menu de configuration.
8. Appuyez **sur Suivant** jusqu'à ce que la fin s'affiche.

9. Appuyez **sur** Entrée pour revenir au fonctionnement normal.

#### 4.5.10 Sélectionnez Réglage du relais de ventilateur pour NO2 - « FrS.n »

Les options disponibles sont diS, 0,5, 0,7, 1,0, 1,2, 1,5, 1,7, 2,0, 2,2, 2,5 (par défaut), 2,7, 3,0, 3,2, 3,5, 3,7, 4,0, 4,2, 4,5, 4,7, 5,0.

Pour sélectionner le réglage du relais du ventilateur pour le NO2, en mode normal:

1. Appuyez **sur le** bouton Suivant pour vous rendre à Con ou au menu Configuration.
2. Appuyez **sur le** bouton Entrée pour entrer dans le menu Con.
3. Appuyez **sur** Suivant 8 fois pour vous rendre à « FrS.n » ou au Réglage du relais du ventilateur pour le NO2.
4. Appuyez **sur Entrée**. L'affichage indique le réglage actuel.
5. Appuyez **sur** Suivant pour parcourir les paramètres disponibles (l'affichage commencera à clignoter).
6. Appuyez **sur** Entrée pour confirmer le nouveau réglage (l'affichage cessera de clignoter).
7. Appuyez **une** fois de plus sur Entrée pour revenir au menu de configuration.
8. Appuyez **sur Suivant** jusqu'à ce que la fin s'affiche.
9. Appuyez **sur** Entrée pour revenir au fonctionnement normal.

#### 4.5.11 Sélectionnez Réglage du délai de relais du ventilateur - « Frd »

Les options disponibles sont 0, 1, 3 (par défaut), 5, 10.

Pour sélectionner le réglage de retard du relais du ventilateur, en mode normal:

1. Appuyez **sur le** bouton Suivant pour vous rendre à Con ou au menu Configuration.
2. Appuyez **sur le** bouton Entrée pour entrer dans le menu Con.
3. Appuyez **sur** Suivant 9 fois pour vous rendre au réglage de retard du relais frd ou du ventilateur.
4. Appuyez **sur Entrée**. L'affichage indique le réglage actuel.
5. Appuyez **sur** Suivant pour parcourir les paramètres disponibles (l'affichage commencera à clignoter).
6. Appuyez **sur** Entrée pour confirmer le nouveau réglage (l'affichage cessera de clignoter).
7. Appuyez **une** fois de plus sur Entrée pour revenir au menu de configuration.
8. Appuyez **sur Suivant** jusqu'à ce que la fin s'affiche.
9. Appuyez **sur** Entrée pour revenir au fonctionnement normal.

#### 4.5.12 Sélectionnez Réglage minimal d'exécution du relais de ventilateur - Frr

Les options disponibles sont 0 (par défaut), 3, 5, 10, 15.

Pour sélectionner le réglage d'exécution minimum du relais du ventilateur, en mode normal :

1. Appuyez **sur le** bouton Suivant pour vous rendre à Con ou au menu Configuration.
2. Appuyez **sur le** bouton Entrée pour entrer dans le menu Con.
3. Appuyez **sur** Suivant 10 fois pour vous rendre au réglage d'exécution minimum du relais frr ou du relais de ventilateur.
4. Appuyez **sur Entrée**. L'affichage indique le réglage actuel.
5. Appuyez **sur** Suivant pour parcourir les paramètres disponibles (l'affichage commencera à clignoter).
6. Appuyez **sur** Entrée pour confirmer le nouveau réglage (l'affichage cessera de clignoter).
7. Appuyez **une** fois de plus sur Entrée pour revenir au menu de configuration.
8. Appuyez **sur Suivant** jusqu'à ce que la fin s'affiche.

9. Appuyez **sur** Entrée pour revenir au fonctionnement normal.

#### 4.5.13 Sélectionnez Réglage du verrouillage du relais du ventilateur - FrL

Les options disponibles sont « On », « OFF » (par défaut).

Pour sélectionner le réglage de verrouillage du relais du ventilateur, en mode normal:

1. Appuyez **sur le** bouton Suivant pour vous rendre à Con ou au menu Configuration.
2. Appuyez **sur le** bouton Entrée pour entrer dans le menu Con.
3. Appuyez **sur** Suivant 11 fois pour vous rendre au réglage de verrouillage du relais frl ou du ventilateur.
4. Appuyez **sur Entrée**. L'affichage indique le réglage actuel.
5. Appuyez **sur** Suivant pour parcourir les paramètres disponibles (l'affichage commencera à clignoter).
6. Appuyez **sur** Entrée pour confirmer le nouveau réglage (l'affichage cessera de clignoter).
7. Appuyez **une** fois de plus sur Entrée pour revenir au menu de configuration.
8. Appuyez **sur Suivant** jusqu'à ce que la fin s'affiche.
9. Appuyez **sur** Entrée pour revenir au fonctionnement normal.

#### 4.5.14 Sélectionnez Réglage du ventilateur de dérangement - « tFS »

Les options disponibles sont « On », « OFF » (par défaut).

Pour sélectionner le réglage du ventilateur de dérangement, en mode normal:

1. Appuyez **sur le** bouton Suivant pour vous rendre à Con ou au menu Configuration.
2. Appuyez **sur le** bouton Entrée pour entrer dans le menu Con.
3. Appuyez **sur** Suivant 12 fois pour vous rendre à « tFS » ou troubler le réglage du ventilateur.
4. Appuyez **sur Entrée**. L'affichage indique le réglage actuel.
5. Appuyez **sur** Suivant pour parcourir les paramètres disponibles (l'affichage commencera à clignoter).
6. Appuyez **sur** Entrée pour confirmer le nouveau réglage (l'affichage cessera de clignoter).
7. Appuyez **une** fois de plus sur Entrée pour revenir au menu de configuration.
8. Appuyez **sur Suivant** jusqu'à ce que la fin s'affiche.
9. Appuyez **sur** Entrée pour revenir au fonctionnement normal.

#### 4.5.15 Sélectionnez 4-20mA Sortie Setting - « 420 »

Les options disponibles sont « bAS » (par défaut), « EnH », « OFF ».

**REMARQUE :** Si la fonction de période d'étalonnage est utilisée et que le détecteur est connecté à un panneau, les informations de la période d'étalonnage ne sont communiquées au panneau Macurco DVP que lorsque "420" est réglé sur "EnH". Veuillez consulter le panneau DVP Macurco pour confirmer si la fonction de période d'étalonnage est prise en charge par le panel. Si la fonction de période d'étalonnage n'est pas prise en charge par le panneau Macurco DVP, 'bAS' doit être le réglage de sortie sélectionné.

Pour sélectionner le réglage de sortie 4-20mA, en mode normal:

1. Appuyez **sur le** bouton Suivant pour vous rendre à Con ou au menu Configuration.
2. Appuyez **sur le** bouton Entrée pour entrer dans le menu Con.
3. Appuyez sur Suivant 13 fois pour obtenir le réglage de sortie « 420 » ou 4-20mA.
4. Appuyez **sur Entrée**. L'affichage indique le réglage actuel.
5. Appuyez **sur** Suivant pour parcourir les paramètres disponibles (l'affichage commencera à clignoter).
6. Appuyez **sur** Entrée pour confirmer le nouveau réglage (l'affichage cessera de clignoter).
7. Appuyez **une** fois de plus sur Entrée pour revenir au menu de configuration.
8. Appuyez **sur Suivant** jusqu'à ce que la fin s'affiche.
9. Appuyez **sur** Entrée pour revenir au fonctionnement normal.

#### 4.5.16 Sélectionnez le mode 4-20mA -" 420.n»

Les options disponibles sont dUAL (par défaut), High.

**REMARQUE:** Le mode double doit être utilisé lorsque le détecteur est connecté à un panneau de contrôle Macurco DVP. Le mode élevé ne doit être utilisé que lorsque le détecteur est utilisé comme unité autonome.

Pour sélectionner le mode 4-20mA, en mode normal:

1. Appuyez **sur le** bouton Suivant pour vous rendre à Con ou au menu Configuration.
2. Appuyez **sur le** bouton Entrée pour entrer dans le menu Con.
3. Appuyez sur Suivant 14 fois pour arriver en mode 420.n ou 4-20mA.
4. Appuyez **sur Entrée**. L'affichage indique le réglage actuel.
5. Appuyez **sur** Suivant pour parcourir les paramètres disponibles (l'affichage commencera à clignoter).
6. Appuyez **sur** Entrée pour confirmer le nouveau réglage (l'affichage cessera de clignoter).
7. Appuyez **une** fois de plus sur Entrée pour revenir au menu de configuration.
8. Appuyez **sur Suivant** jusqu'à ce que la fin s'affiche.
9. Appuyez **sur** Entrée pour revenir au fonctionnement normal.

#### 4.5.17 Sélectionnez Période d'étalonnage pour le capteur de CO - « CAL. C po

La valeur sélectionnée pour la période d'étalonnage est le nombre de mois. Le CX-xx indique un « étalonnage dû » lorsqu'il se trouve dans un délai d'un mois à partir de la période d'étalonnage, et un « étalonnage en retard » lorsque le détecteur a atteint ou dépassé la période d'étalonnage. La période d'étalonnage setting ne peut pas être modifiée si le CX-xx indique « calibration due » ou « calibration en retard ».

Les options disponibles sont diS (par défaut), 3, 6, 12, 24.

Pour sélectionner la période d'étalonnage du capteur de CO, en mode normal:

1. Appuyez **sur le** bouton Suivant pour vous rendre à Con ou au menu Configuration.
2. Appuyez **sur le** bouton Entrée pour entrer dans le menu Con.
3. Appuyez **sur** Suivant 15 fois pour vous rendre à « cal. C ».
4. Appuyez **sur Entrée**. L'affichage indique le réglage actuel.
5. Appuyez **sur** Suivant pour parcourir les paramètres disponibles (l'affichage commencera à clignoter).
6. Appuyez **sur** Entrée pour confirmer le nouveau réglage (l'affichage cessera de clignoter).
7. Appuyez **une** fois de plus sur Entrée pour revenir au menu de configuration.
8. Appuyez **sur Suivant** jusqu'à ce que la fin s'affiche.
9. Appuyez **sur** Entrée pour revenir au fonctionnement normal.

#### 4.5.18 Sélectionnez Période d'étalonnage pour le capteur NO<sub>2</sub> - « CAL.n »

La valeur sélectionnée pour la période d'étalonnage est le nombre de mois. Le CX-xx indique un « étalonnage dû » lorsqu'il se trouve dans un délai d'un mois à partir de la période d'étalonnage, et un « étalonnage en retard » lorsque le détecteur a atteint ou dépassé la période d'étalonnage. Le réglage de la période d'étalonnage ne peut pas être modifié si le CX-xx indique l'étalonnage dû ou le calibrage en retard.

Les options disponibles sont diS (par défaut), 3, 6, 12, 24.

Pour sélectionner la période d'étalonnage du capteur NO<sub>2</sub>, en mode normal:

1. Appuyez **sur le** bouton Suivant pour vous rendre à Con ou au menu Configuration.
2. Appuyez **sur le** bouton Entrée pour entrer dans le menu Con.
3. Appuyez **sur** Suivant 16 fois pour arriver à « CAL. n ».
4. Appuyez **sur Entrée**. L'affichage indique le réglage actuel.
5. Appuyez **sur** Suivant pour parcourir les paramètres disponibles (l'affichage commencera à clignoter).
6. Appuyez **sur** Entrée pour confirmer le nouveau réglage (l'affichage cessera de clignoter).
7. Appuyez **une** fois de plus sur Entrée pour revenir au menu de configuration.
8. Appuyez **sur Suivant** jusqu'à ce que la fin s'affiche.
9. Appuyez **sur** Entrée pour revenir au fonctionnement normal.



## 5 Dépannage

### 5.1 Diagnostics à bord

Le CX-xx surveille toutes les fonctions critiques de l'appareil grâce à des diagnostics logiciels qui testent et vérifient continuellement les opérations de l'unité. Si un problème est constaté, l'appareil passera en mode de sécurité ou d'erreur ou en état de panne.

Dans ce mode d'erreur, le relais d'alarme sera activé, la boucle de courant de 4-20 mA ira à 24 mA, l'unité affichera le code d'erreur, le voyant d'état vert clignotera, et l'avertisseur sonnera par intermittence. Le relais du ventilateur s'enclenchera également si l'option de réglage du ventilateur de dérangement est réglée sur On. Il s'agit d'une mesure de sécurité.

Pour effacer ce mode, il suffit d'éteindre l'appareil pendant quelques secondes ou d'appuyer sur le bouton ENTER/TEST (à l'intérieur de l'appareil). L'appareil redémarrera ainsi le cycle d'autotest d'une minute.

#### 5.1.1 Dépannage 4-20mA

REMARQUE: La sortie des bornes 4-20ma n'est stable que lorsque le mode 4-20mA est réglé en mode élevé. En mode double, la fluctuation de la sortie sera observée lorsqu'elle est mesurée à l'aide d'un mmètre.

- 0 mA est probablement un problème de connexion
- 1 mA indique l'étalonnage en retard (si 4-20mA est configuré sur 'EnH')
- 4-20 mA est la gamme normale de lecture de gaz (0-200 ppm CO, 0-20 ppm NO<sub>2</sub>)
- 24 mA indique un trouble

#### 5.1.2 Codes de dérangement

Si le détecteur rencontre une erreur, un code de dérangement s'affiche. Le code de dérangement est affiché sous la forme «tXXX» où XXX est un code de dérangement unique pour chaque capteur. Si un code de dérangement est supérieur à 800, il est pour CO. Si il est plus petit que 800, c'est pour NO<sub>2</sub>. Le tableau following indique le code de dérangements pour les capteurs CO et NO<sub>2</sub>.

Code de dérangement du CO	Code de dérangement NO <sub>2</sub>	Description de l'article
t801 (en)	t001 (en)	Capteur manquant
t802 (en)	t002 (en)	Échec de la compensation de température
t804 (en)	t004 (en)	Mauvaise somme de contrôle EEPROM
t810 (en)	t010 (en)	Mauvais EEPROM
t820 (en)	t020 (en)	Mauvais calibrage
t840 t840	t040 (en)	Jamais calibré en usine
t880 (en)	t080 (en)	Échec de l'ADC
t900 t900	t100 t100	Capteur sous portée
TA00	t200 t200	Capteur expiré
tc00 Tc00	t400 t400	Étalonnage en retard

Figure 5-1 - Tableau des codes de dérangement

Lorsque des codes de dérangement existent pour les deux capteurs en même temps, les deux codes de dérangement s'affichent alternativement.

S'il existe plusieurs codes d'erreur pour le même capteur existant en même temps, le code affiché sera la somme des codes d'erreur. Par exemple, l'affichage affichera «t003» si t001 et t002 existent en même temps, «t821» si t820 et t801 existent en même temps.

Si la somme d'un chiffre (un, des dizaines ou des centaines) est supérieure à 9, elle affichera la représentation hexadécimale correspondante de la somme. Le tableau following montre la représentation hexadécimale pour les nombres de 10 à 15.

Nombre décimal	Représentation hexadécimale
10	A (en)
11	b
12	c
13	d (en)
14	E (en)
15	F (en)

Figure 5-2 - Tableau de conversion hexadécimale

Par exemple, si t040 et t080 existent en même temps, il affiche «t0c0» parce que 8 + 4 est égal à 12 et que la représentation hexadécimale de 12 est « c ».

Notez que dans tXXX premier chiffre après 't' est 8 pour capteur de CO et 0 pour capteur de NO2. Les codes de dérangement t900, tA00 et tc00 sont le résultat de l'ajout de 1, 2 et 4 au premier chiffre 8 utilisé pour représenter le capteur de CO. Par conséquent, lors de l'addition du code de dérangement pour le capteur de CO, 8 n'est pas ajouté deux fois. Par exemple, si t820 et t810 existent en même temps le code d'erreur affiché sera t830. De même, si tA00 et tc00 existent en même temps, alors le code de dérangement affiché est tE00.

**REMARQUE:** Si le mode d'erreur se répète fréquemment, vérifiez s'il y a une alimentation continue et une tension appropriée. Si l'alimentation n'est pas le problème et qu'un appareil présente des conditions d'erreur répétées, il peut être nécessaire de le retourner à Macurco pour le faire l'entretien, conformément à ces instructions d'utilisation. Si le mode d'erreur indique « Capteur expiré », voir la section 6.1 Réinitialisation de la durée de vie du capteur.

## 5.2 Poisons de capteur

Les capteurs du détecteur sont conçus avec une sensibilité extrême à l'environnement. Par conséquent, la fonction de détection peut être détériorée si le détecteur est exposé à des contaminants, à un jet direct d'aérosols tels que des peintures, des vapeurs de silicone, etc., ou à une forte densité de gaz corrosifs (tels que le sulfure d'hydrogène, le dioxyde de soufre) pendant une période prolongée.

### 5.3 Capteur expiré

Le CX-xx a deux capteurs électrochimiques remplaçables (un CO et un NO<sub>2</sub>). Chaque capteur a une durée de vie prévue de deux années. Après deux ans, le signal « Capteur expiré » sera activé indiquant qu'un ou les deux capteurs ont atteint la fin de leur durée de vie utile typique. Le signal « Capteur expiré » provoquera un code d'erreur (tA00 pour CO, t200 pour NO<sub>2</sub>). Voir la section 5.1.2 Codes de dérangement

Le signal " Sensor expired" peut être réduit au silence pendant 48 heures en appuyant sur le bouton « ENTER/TEST » ou en laissant tomber temporairement l'alimentation de l'appareil. Le signal « Capteur expiré » offre à l'utilisateur la possibilité de tester et/ou de calibrer le capteur en s'assurant qu'il fonctionne toujours dans des paramètres acceptables bien que le capteur approche de la fin de sa durée de vie prévue.

La fonction silence continuera d'être disponible pendant 29 jours après que le CX-xx aura lancé le signal initial « Capteur expiré ». Après cette période de 29 jours, le CX-xx ne peut plus être réduit au silence, et le capteur doit être calibré, et la durée de vie du capteur réinitialisée, ou le capteur remplacé.

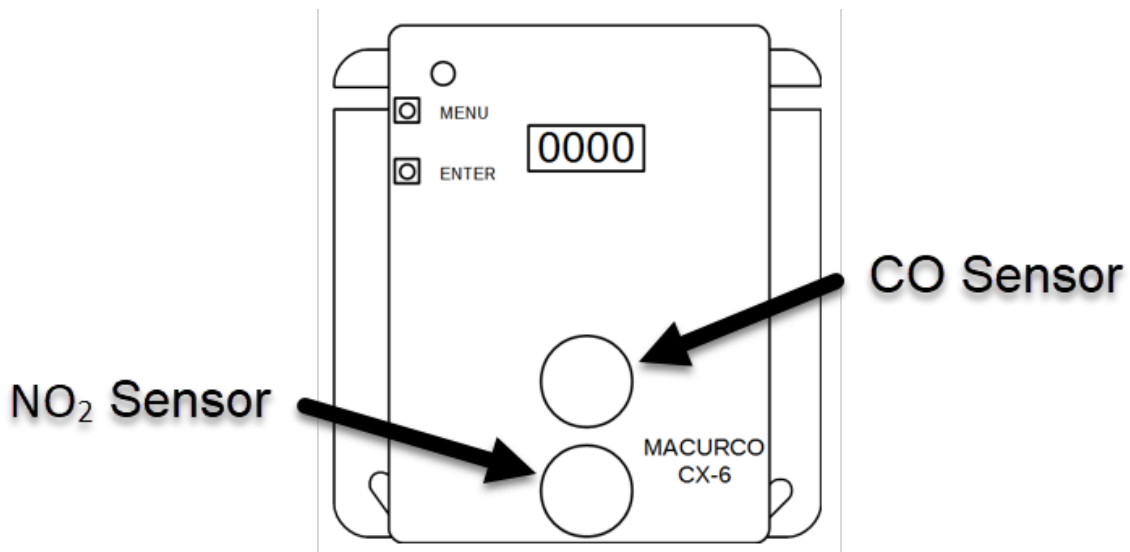


Figure 5-3 - Emplacement du capteur de remplacement

## 6 Entretien de l'équipement

Le CX-xx est peu d'entretien. L'unité utilise deux capteurs électrochimiques qui ont une espérance de vie de 2 ans (dans des conditions normales). Les performances du détecteur doivent être testées régulièrement à l'aide de gaz, tel que détaillé dans les sections Essais de gaz Procédure d'étalonnage sur le terrain

Tous les travaux d'entretien et de réparation des produits fabriqués par Macurco doivent être effectués à l'usine de fabrication macurco appropriée. Macurco ne sanctionne aucune réparation de tiers.

### 6.1 Réinitialisation de la durée de vie du capteur

Pour réinitialiser la durée de vie du capteur,

1. Retirez la vis Philips à l'avant du CX-xx. Retirez le couvercle avant de l'appareil.
2. En mode normal ou d'échauffement, appuyez **sur Suivant** 4 fois pour vous rendre en mode SEn ou Capteur.
3. Appuyez **sur Entrée**. L'affichage indique "rSt.C".
  - a. Pour réinitialiser la durée de vie du capteur de CO, appuyez **sur Entrée**.
  - b. Pour réinitialiser la durée de vie du capteur no2, appuyez **une fois sur Suivant**. L'affichage indique « rSt.n ». Press **Entrez**.
4. Si la durée de vie du capteur a déjà été réinitialisée, le don effectué s'affiche. S'il n'a pas déjà été réinitialisé, non s'affiche. Appuyez **sur Suivant** pour le changer en OUI (clignotement).
5. Appuyez **sur Entrée** pour confirmer le changement (solide) et **appuyez** de nouveau sur Entrée pour revenir au menu « SEn ».
6. Appuyez **sur Suivant** jusqu'à ce que la fin s'affiche.
7. Appuyez **sur Entrée** pour revenir au fonctionnement normal. La durée de vie du capteur sera réinitialisée pendant 2 ans.

**REMARQUE :** Une fois la durée de vie du capteur correspondante réinitialisée, l'appareil affiche le calibrage en retard pour le capteur correspondant forçant l'utilisateur à calibrer l'appareil avant de l'utiliser. Après un étalonnage réussi sur le terrain, le calibrage en retard sera résolu et le détecteur sera en mode normal.

**REMARQUE:** Le détecteur n'a pas besoin d'être remplacé lorsqu'un capteur est expiré. Once il affiche le capteur expiré, l'utilisateur peut remplacer le capteur sur le détecteur, calibrer l'unité et commencer à l'utiliser.

### AVERTISSEMENT (en)

Ne démontez pas l'appareil et n'essayez pas de réparer ou de modifier un composant de cet appareil. Cet instrument ne contient aucune pièce pouvant être mise en service par l'utilisateur, et la substitution de composants peut nuire aux performances du produit.

### MISE EN GARDE

Évitez d'utiliser des produits nettoyants agressifs, des abrasifs et d'autres solvants organiques. Ces matériaux peuvent égratigner les surfaces de façon permanente et endommager la fenêtre d'affichage, les étiquettes, le capteur ou le boîtier de l'instrument. Les bornes haute tension (100-240VAC) sont situées à l'intérieur de ce détecteur, ce qui présente un danger pour les techniciens de service. Seuls des techniciens qualifiés doivent ouvrir le

boîtier du détecteur et faire l'entretien des circuits internes. Assurez-vous que l'alimentation du détecteur est retirée avant de nettoyer l'appareil. Le non-respect de cette loi peut entraîner la maladie ou la mort.

## 6.2 Le nettoyage

Il est préférable de nettoyer les surfaces extérieures à l'aide d'un linge humide avec un détergent doux ou du savon. Utilisez un aspirateur avec brosse douce pour enlever la poussière ou la contamination sous le couvercle. Ne pas souffler le capteur avec de l'air comprimé.

## 7 Les tests

### AVERTISSEMENT (en)

L'utilisation d'un gaz certifié dont la concentration est autre que celle indiquée pour ce détecteur lors d'un test de vérification de l'étalonnage (essai de bosses) produira des lectures inexactes. Cela signifie que des niveaux plus élevés du gaz surveillé peuvent être présents et entraîner une surexposition. Pour une utilisation appropriée, consultez le superviseur ou le manuel d'utilisation, ou communiquez avec le service d'assistance technique au 1-844-325-3050.

Toutes les unités CX-xx sont calibrées en usine et testées à 100% pour un bon fonctionnement. Pendant le fonctionnement normal, le voyant d'état vert s'allume de façon constante, le ventilateur et le relais d'alarme seront en mode veille et la sortie de 4 à 20 mA sera à 4 mA (dans l'air pur). L'appareil effectue également un autotest automatique régulier pendant le fonctionnement normal. Si l'appareil détecte une tension incorrecte ou un composant inutilisable, il sera mis en mode Erreur par défaut. Dans ce mode d'erreur, le relais d'alarme sera activé, la boucle de courant de 4-20 mA ira à 24 mA, l'unité affichera le code d'erreur, le voyant d'état vert clignotera, et l'avertisseur sonnera par intermittence. Le relais du ventilateur s'enclenchera également si l'option de réglage du ventilateur de dérangement est réglée sur ON.

### 7.1 Les tests

#### 7.1.1 Test d'opération

Vérifiez que le voyant d'état CX-xx vert s'allume continuellement. Si ce n'est pas le cas, ne pas procéder aux tests. Si l'appareil est en mode erreur, contactez votre représentant local ou votre représentant du service technique Macurco pour obtenir des informations sur la résolution du problème.

1. Retirer la vis simple au milieu du couvercle avant du CX-xx.
2. Retirer le couvercle avant.
3. Observez le voyant lumineux à l'avant du CX-xx.
4. Si le voyant est vert solide, passez à l'étape 6.
5. Si le voyant d'état vert est éteint ou clignote, reportez-vous à la section Générale ci-dessus.
6. Appuyez **sur Entrée**.
7. Le CX-xx passera par un test de cycle:
  - a. L'affichage progresse à travers le bUZ (Buzzer Test) Art (test de relais d'alarme), Frt (test de relais de ventilateur) puis 42t. C et 42t.n (essai de sortie de 4-20 mA). Assurez-vous que les paramètres sont allumés ou non désactivés .

Le test	Description de l'article	Longueur du test	Affichage de l'écran
bUZ (en)	Test de sonnerie	3 secondes	Clignote « bUZ »
L'art	Essai de relais d'alarme	5 secondes	Flashes « Art »
Le Frt	Essai de relais de ventilateur	60 secondes	Clignote « Frt »
42e. C (en)	Essai de 4-20 mA pour le CO	130 secondes	Clignote « 42t. Cpo
42e.n	Essai de 4-20mA pour NO <sub>2</sub>	130 secondes	Flashé « 42t.n »

Figure 7-1 - Tableau des mode d'essai de fonctionnement

b. À la fin du cycle d'essai, le ventilateur et le relais d'alarme seront en mode veille et la sortie de 4 à 20 mA reviendra à 4 mA (dans l'air pur).

8. Lorsque les essais sont terminés, remonter l'appareil.

### 7.1.2 Test d'utilisation manuelle

Cette option donne à l'utilisateur la possibilité d'initier manuellement un test individuel pour chaque relais, la sortie analogique et la réponse du capteur au gaz.

Pour lancer un test d'utilisation manuel,

1. Du mode de fonctionnement normal **appuyez sur** Les 2 prochaines fois pour vous rendre en mode test (tSt).
2. Appuyez **une** fois sur Entrée pour entrer dans le menu test.
3. Appuyez **sur** Suivant pour faire défiler les six options de test.

Le test	Description de l'article	Longueur du test	Affichage de l'écran
bUZ (en)	Test de sonnerie	3 secondes	Clignote « bUZ »
L'art	Essai de relais d'alarme	5 secondes	Flashes « Art »
Le Frt	Essai de relais de ventilateur	60 secondes	Clignote « Frt »
42e. C (en)	Essai de 4-20 mA pour le CO	130 secondes	Clignote « 42t. Cpo
42e.n	Essai de 4-20 mA pour no <sub>2</sub>	130 secondes	Clignote « 42t.n »
gtS (en)	Essai de gaz	180 secondes	Clignote dans une séquence de gtS, de lecture de CO (indiquée par C au début) et de lecture de NO <sub>2</sub> (indiquée par n au début). Aucune sortie au panneau pendant l'essai de gaz.

Figure 7-2 - Tableau des mode d'essai manuels

4. Appuyez **sur** Entrée pour lancer le test sélectionné. Notez que si le relais ou la sortie 4-20 mA a été désactivé, la sélection du test ne sera pas affichée dans le menu test.
5. Une fois le test terminé, l'affichage revient à l'affichage régulier. Pour quitter le menu test, appuyez sur le bouton Suivant jusqu'à ce que la fin s'affiche. Appuyez ensuite sur **Entrée** pour revenir en mode normal.

## 7.2 Trousses d'étalonnage et d'essai

### AVERTISSEMENT (en)

Les étapes suivantes doivent être effectuées lors d'un test de vérification de l'étalonnage (essai de bosse) afin d'assurer le bon fonctionnement du moniteur. Le non-respect de cette mesure peut nuire à la performance du produit.

- Lors d'un test de vérification d'étalonnage (essai de bosses), n'utiliser que du gaz d'étalonnage certifié au niveau de concentration requis.
- Ne pas tester avec du gaz d'étalonnage expiré.
- Ne pas couvrir ou obstruer l'écran ou le couvercle de l'alarme visuelle.
- Assurez-vous que les entrées des capteurs ne sont pas obstruées et exemptes de débris

Le non-respect des instructions décrites dans ce manuel d'utilisation peut entraîner la maladie ou la mort.

- Lors d'un essai d'étalonnage ou de vérification d'étalonnage (essai de bosses), n'utiliser du gaz d'étalonnage certifié qu'au niveau de concentration requis. Ne pas calibrer avec du gaz d'étalonnage expiré.
- Si l'appareil ne peut pas être étalonné, ne pas l'utiliser tant que la raison n'a pas été déterminée et corrigée.
- Ne pas couvrir ou obstruer l'écran ou le couvercle de l'alarme visuelle.
- Assurez-vous que les entrées des capteurs ne sont pas obstruées et qu'elles sont exemptes de débris

Une trousse d'étalonnage sur le terrain, cal-kit 2, et deux bouteilles de gaz d'étalonnage sont nécessaires pour compléter l'essai de gaz. Ceux-ci sont disponibles par distribution locale ou auprès de Macurco.

**NOTA** : Le CX-xx doit être mis à l'essai ou étalonné à intervalles réguliers conformément aux exigences de la National Fire Protection Association (NFPA) 720 ou aux exigences du code local. Il est recommandé de tester ou de calibrer le CX-xx au moins une fois par année.

#### Contenu du Cal-Kit 2

- Cal-Kit 2 (30-0021-1110-1)
  - Cas d'étalonnage
  - Deux pieds de tuyauterie de Tygon
  - Paquet cal hood-macurco
  - 0,2 LPM Régulateur de gaz (M)

Les bouteilles de gaz d'étalonnage suivantes sont également nécessaires (vendues séparément) :

- Qté 1 CO-200PPM-AL (70-0714-0531-4) Monoxyde de carbone CO Cal Gaz Bouteille d'aluminium 34L 200 ppm (F)
- Qté 1 NO2-5PPM-AL (70-0714-0531-3) Dioxyde d'azote NO2 Cal Gaz Bouteille d'aluminium 34L 5 ppm (F)

### Information Cal-Kit 2

Plusieurs détecteurs peuvent être étalonnés avec un Cal-Kit. La seule limite est la quantité de gaz dans la bouteille. Le cylindre de 34 litres a environ 170 minutes de temps d'étalonnage continu. La bouteille de gaz doit être remplacée lorsque le manomètre du régulateur indique 25 lb/po2 ou moins.

**Remarque :** Pour obtenir des résultats d'essai optimaux, il est suggéré que l'appareil soit dans l'air pur, qu'il soit allumé et qu'il soit à faible débit d'air ambiant.

Il est essentiel d'effectuer la réduction à zéro du capteur dans l'air pur. Dans le cas où l'application où l'absence de gaz cible (CO ou NO<sub>2</sub>) ne peut être garantie, il est suggéré d'utiliser le gaz d'étalonnage Zero Air (20,9% O<sub>2</sub> balance nitrogen) pour la réduction à zéro du capteur.

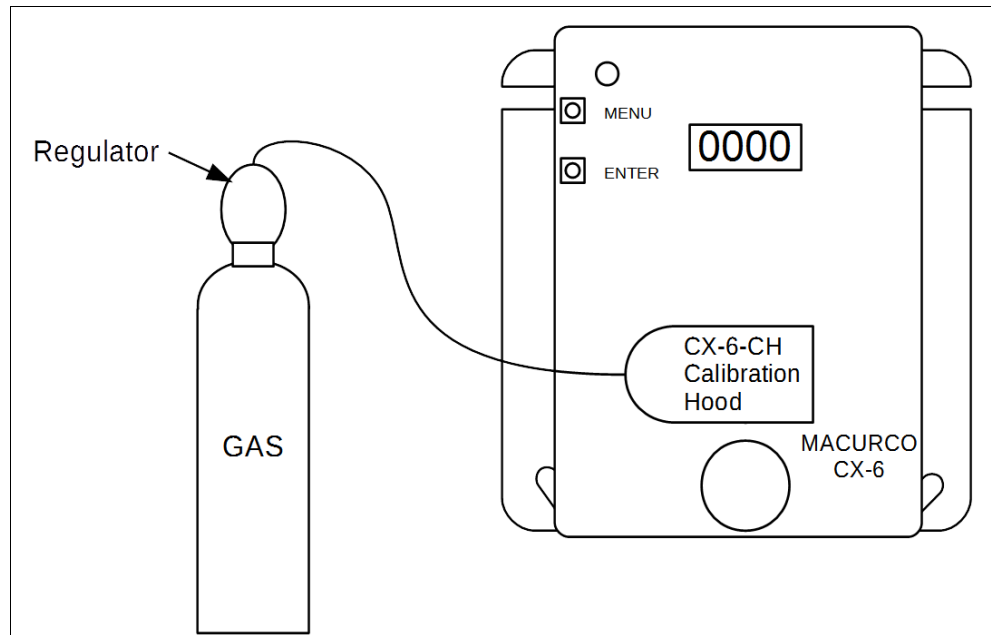


Figure 7-1 - Connexion du kit d'étalonnage

## 7.3 Essais de gaz

### 7.3.1 Essai du relais de ventilateur

1. Retirez la vis Philips à l'avant du CX-xx. Retirer le couvercle avant.
2. Ouvrez le FCK. Raccorder la bouteille de gaz au régulateur.
3. Vérifiez le manomètre du régulateur. Si vous avez 25 lb/po2 ou moins, vous devrez remplacer la boîte de gaz.
4. Assembler le régulateur, le tuyau et la hotte d'étalonnage et placer la hotte d'étalonnage sur le capteur à tester.

**NOTE:** Le temps d'activation du relais du ventilateur dépend du réglage du délai du relais du ventilateur « Frd ».

5. Allumez le régulateur pour démarrer le débit de gaz et attendez avec le gaz appliqué en continu.
6. Lorsque la fonction d'affichage est activée, le CX-xx clignote entre la concentration actuelle de CO et no<sub>2</sub>, ou « 0 » (zéro) dans l'air pur. Lorsque la concentration de gaz atteint le réglage du relais du ventilateur



,l'affichage clignote entre « FAn » et « lecture du gaz actuel ». Lorsque la fonction d'affichage est désactivée, l'affichage n'indique pas la concentration de gaz, mais indique « FAn » lorsque le relais du ventilateur est activé.

**NOTE:** Si le relais du ventilateur ne ferme pas dans les 2 minutes, il y a quatre possibilités:

- a. La bouteille de gaz est vide, vérifiez le manomètre. Remplacez la bouteille de gaz si vous 25 psi ou moins.
  - b. L'unité doit être recalibrée (passer par le recalibrage et le retest).
  - c. Le détecteur doit être réparé (retourner l'unité à l'usine pour l'entretien).
  - d. Le détecteur a le Fan Relay réglé pour désactiver ("diS") ou un niveau de concentration supérieur au gaz d'essai. Réglez le Fan Relay à une concentration de gaz inférieure au gaz d'essai et répétez l'essai.
7. Retirez le gaz du capteur. Procéder à l'essai du relais d'alarme ou remplacer le couvercle supérieur.

### 7.3.2 Test du relais d'alarme

1. Raccorder la bouteille de gaz au régulateur.
2. Vérifiez le manomètre. S'il y a 25 psi ou moins, le cylindre doit être remplacé.
3. Placez la hotte d'étalonnage sur le capteur.
4. Allumez le régulateur pour démarrer le débit de gaz. Le relais d'alarme doit s'activer selon les réglages.
5. Lorsque la fonction d'affichage est activée et que la concentration de gaz atteint le réglage du relais d'alarme, l'affichage clignote entre « ALr » et « current gas reading ». L'avertisseur sonore sonnera en indiquant « Alarme » si l'avertisseur sonore est allumé. Lorsque la fonction d'affichage est désactivée, l'affichage n'indique pas la concentration de gaz, mais indique « ALr » lorsque le relais d'alarme est activé.

**Note:** Si le relais d'alarme ne fonctionne pas dans les 2 minutes, il y a quatre possibilités:

- a. La bouteille de gaz est empty. Check le manomètre. Remplacez la bouteille de gaz si elle mesure 25 lb/po2 ou moins.
  - b. L'unité doit être recalibrée (passer par le recalibrage et le retest).
  - c. Le détecteur doit être réparé (retourner l'unité à l'usine pour l'entretien).
  - d. Le détecteur a réglé le relais d'alarme pour désactiver (« diS ») ou un niveau de concentration supérieur au gaz d'essai. Réglez le relais d'alarme à une concentration de gaz inférieure au gaz d'essai et répétez l'essai.
6. Retirer le gaz du capteur après l'essai. Procéder à l'essai de la sortie 4-20mA ou remplacer le couvercle supérieur.

### 7.3.3 Test de la boucle 4-20mA

1. Assurez-vous que le mode 4-20mA est réglé sur High pour ce test.
2. Raccorder la bouteille de gaz au régulateur.
3. Vérifiez le manomètre. S'il y a 25 lb/po2 ou moins, le cylindre doit être remplacé.
4. Placer le capuchon du régulateur sur le capteur. Allumez le régulateur pour démarrer le débit de gaz.

5. Le relais du ventilateur doit s'activer selon les réglages.
6. Le relais d'alarme doit s'activer selon les réglages.
7. La puissance de 4 à 20 mA devrait augmenter de 4 mA dans l'air pur à 20 mA à 200 ppm de CO et 20 mA à 20 ppm de NO<sub>2</sub> Figure 3-1 Diagramme de sortie co de et la Figure 3-2 .

**Note:** Si la sortie 4-20mA ne s'accélère pas dans les 2 minutes, il ya quatre possibilités:

- a. La bouteille de gaz est vide, vérifiez le manomètre. Remplacez la bouteille de gaz si elle mesure 25 lb/po<sub>2</sub> ou moins.
  - b. L'unité doit être recalibrée (passer par le recalibrage et le retest).
  - c. Le détecteur doit être réparé (retourner l'unité à l'usine pour l'entretien).
  - d. Le détecteur a l'option de 4-20 mA réglée sur « OFF ». Réglez l'option 4-20mA sur bAS et répétez le test.
8. Retirez le gaz du capteur. Remonter le CX-xx(assurez-vous que la DEL est alignée avec le trou du boîtier avant). Tu as fini.

#### 7.3.4 Test de monoxyde de carbone en aérosol (monoxyde de carbone seulement)

Le CME1-FTG est un gaz d'essai sur le terrain de monoxyde de carbone aérosol de 11 L de 500 ppm qui peut être utilisé avec le CX-xx. Ce gaz d'essai sur le terrain permet aux installateurs de faire un test de fonctionnalité rapide du capteur de CO. Le débit du CME1-FTG est de 10 Lpm de sorte que vous aurez environ une minute de gaz ou assez pour tester 20-30 capteurs.

1. Les unités à tester doivent être alimentées en continu pendant au moins 3 minutes avant de continuer.
2. Pour obtenir des résultats d'essai optimaux, l'appareil doit être dans un air pur et être à faible débit d'air ambiant.
3. Vérifiez que le témoin lumineux d'état CX-xx s'allume continuellement, vert. Si ce n'est pas le cas, ne faites pas de tests. Voir la section 5.1Diagnostics à bord
4. L'option d'affichage doit être réglée sur « On » et la lecture de 0 ppm dans l'air pur.
5. Lorsque le couvercle CX-xx est allumé, diriger le becde l'aérosol dans la grille du capteur (sous NE PAS PEINDRE) et appuyer pendant 2 à 3 secondes.
6. Attendez quelques secondes. L'affichage numérique doit monter indiquant la concentration accrue de gaz au niveau du capteur confirmant une passe de l'essai rapide.

**Note:** Si l'affichage ne change pas dans les 10 secondes, il y a quatre possibilités:

- a. La bouteille de gaz est vide, remplacez la bouteille de gaz.
  - b. L'unité doit être recalibrée (passez par la procédure d'étalonnage sur le terrain et réesseez- testez).
  - c. Le détecteur doit être réparé (retourner l'unité à l'usine pour l'entretien).
7. Attendez que l'affichage revienne à 0 ppm et configurez les options aux paramètres souhaités.

## 7.4 Procédure d'étalonnage sur le terrain

**REMARQUE :** Pour obtenir des résultats d'étalonnage optimaux, l'appareil doit être dans un air pur et être à faible débit d'air ambiant.

CX-xx a le menu de niveau supérieur « CAL » qui peut être employé pour exécuter un calibrage de champ. « tS.C », « tS.n », « 000.C », « 000.n », « Spn.C », « Spn.n » et « End » sont des sous-menus dans le menu « CAL ».

- « tS.C » et « tS.n » sont lus seulement et représentent le temps écoulé depuis le dernier étalonnage pour chaque capteur. Sélectionnez l'un ou l'autre sous-menu et il affichera une valeur dans le format YY.MM.

« MM » sont pour les mois et « YY » pour l'année. Par exemple, si la valeur est de 0,05, alors il a été zéro ans et 5 mois depuis la dernière calibration de l'appareil.

- **Les .C 000 et 000.n sont utilisés** pour démarrer un étalonnage zéro pour chaque capteur respectif. Suivez les procédures ci-dessous pour effectuer un étalonnage zéro.
- **Les .C Spn et Spn.n sont utilisés** pour démarrer un étalonnage de portée pour chaque capteur respectif. Suivez les procédures ci-dessous pour effectuer un étalonnage de portée.
- **Le sous-menu Fin est utilisé** pour quitter le menu CAL.

Un étalonnage complet sur le terrain nécessite un étalonnage zéro et un étalonnage de portée. Un étalonnage zéro fournit une valeur de référence en exposant le capteur à l'air pur. Un étalonnage de portée expose le capteur à une concentration connue de gaz d'essai.

#### 7.4.1 Étalonage zéro pour capteur de CO

Pour effectuer un étalonnage zéro pour le capteur de CO,

1. Appuyez sur Suivant 3 fois pour vous rendre au menu CAL
2. Appuyez **sur Entrée**. L'affichage indique « SC. C ».
3. Appuyez sur Suivant 2 fois pour obtenir « 000.C » et appuyez sur **Entrée**.
4. L'affichage clignotera entre '000.C' et la lecture actuelle du CO, c'est-à-dire « C 0 ».
5. Après environ 45 secondes, le calibrage zéro est terminé. Pour une réduction à zéro réussie, l'affichage clignotera entre « PAS. C » et la lecture actuelle du CO « C 0 ». Si le calibrage zéro échoue, l'affichage affichera FAil.C.
6. La DEL verte clignote pendant le processus. Lorsque la DEL verte revient à solide, le calibrage est terminé.

#### 7.4.2 Étalonage zéro pour capteur NO<sub>2</sub>

Pour effectuer un étalonnage zéro pour le capteur NO<sub>2</sub>,

1. Appuyez sur Suivant 3 fois pour vous rendre au menu CAL
2. Appuyez **sur Entrée**. L'affichage indique « tSC.C ».
3. Appuyez **sur Suivant** 3 fois.
4. L'affichage indique « 000.n ». Appuyez **sur Entrée**.
5. L'affichage clignotera entre '000.n' et la lecture no<sub>2</sub> actuelle, c'est-à-dire « n 0,0 ».
6. Après environ 45 secondes, le calibrage zéro est terminé. Pour une réduction à zéro réussie, l'affichage clignotera entre « PAS.n » et la lecture no<sub>2</sub> actuelle « n 0,0 ». Si le calibrage zéro échoue, l'affichage affichera FAil. n.
7. La DEL verte clignote pendant le processus. Lorsque la DEL verte revient à solide, le calibrage est terminé.

#### 7.4.3 Étalonage de portée pour capteur de CO

Pour effectuer un étalonnage de portée pour le capteur de CO,

1. Retirez la vis Philips à l'avant du CX-xx. Retirez le couvercle avant de l'appareil.
2. Assemblez la bouteille de gaz CO et le régulateur ensemble.
3. Vérifiez le manomètre du régulateur. Si vous avez 25 lb/po2 ou moins, vous devrez remplacer la bonbonne de gaz.
4. Placer la hotte d'essai du régulateur sur le capteur de CO.
5. Appuyez sur Suivant 3 fois pour vous rendre au menu CAL
6. Appuyez **sur Entrée**. L'affichage indique « tSC.C ».

7. Appuyez **sur** Suivant 4 fois pour « Spn. C » (CO).
8. Appuyez **sur Entrée**. L'affichage clignotera entre "GAS. Cet 200.
9. Commencez à appliquer du gaz sur le capteur.  
**Note:** Le capteur recherchera le gaz pendant 90 secondes. Si aucun gaz n'est appliqué ou détecté pendant ce temps, l'affichage retournera à « CAL ».
10. Lorsque le capteur détecte le gaz, l'affichage clignote entre la concentration de gaz et le SPn. C », puis le calibrage progressera, et l'affichage affichera le niveau de gaz pendant un maximum de 165 secondes.
11. Lorsque le calibrage est réussi, l'affichage clignote entre la concentration de gaz et pas. C », alors l'affichage affichera le niveau de gaz d'étalonnage et le calibrage est fait.
12. Si le calibrage échoue, l'affichage clignotera entre la concentration de gaz et la valeur FAil.C. Dans ce cas, vérifiez le manomètre du régulateur. Si la pression est inférieure à 25 lb/po2, le débit de gaz peut ne pas être suffisant pour calibrer correctement l'appareil. S'il y a une pression adéquate dans le cylindre, répéter les étapes 4 à 6. Si l'appareil ne fonctionne pas deux fois, communiquez avec l'Assistance technique au 1-877-367-7891.
13. Une fois le calibrage passé, retirez la hotte d'étalonnage et démontez le cylindre et le régulateur.
14. Remonter le CX-xx (assurez-vous que la DEL est alignée avec le trou du boîtier avant). Le calibrage est terminé.
15. Voir l'organigramme d'étalonnage à l'intérieur du logement.

#### 7.4.4 Étalonnage de portée pour capteur NO<sub>2</sub>

Pour effectuer un étalonnage de portée pour le capteur NO<sub>2</sub>,

1. Retirez la vis Philips à l'avant du CX-xx. Retirez le couvercle avant de l'appareil.
2. Assemblez la bouteille de gaz NO<sub>2</sub> et le régulateur ensemble.
3. Vérifiez le manomètre du régulateur. Si vous avez 25 lb/po2 ou moins, vous devrez remplacer la bonbonne de gaz.
4. Placez la hotte d'essai du régulateur sur le capteur NO<sub>2</sub>.
5. Appuyez **sur** Suivant 3 fois pour vous rendre au menu CAL
6. Appuyez **sur Entrée**. L'affichage indique « tSC.C ».
7. Appuyez **sur** Suivant 5 fois pour « Spn.n » (NO<sub>2</sub>).
8. Appuyez **sur Entrée**. L'affichage clignotera entre le gaz. n » et « 5.0 ».
9. Commencez à appliquer du gaz sur le capteur.  
**Note:** Le capteur recherchera le gaz pendant 90 secondes. Si aucun gaz n'est appliqué ou détecté pendant ce temps, l'affichage retournera à CAL.
10. Lorsque le capteur détecte le gaz, l'affichage clignote entre la concentration de gaz et le SPn.n, puis le calibrage progresse et l'affichage indique le niveau de gaz pendant un maximum de 165 secondes.
11. Lorsque le calibrage est réussi, l'affichage clignote entre la concentration de gaz et PAS.n, puis l'affichage indique le niveau de gaz d'étalonnage et le calibrage est effectué.
12. Si le calibrage échoue, l'affichage clignotera entre la concentration de gaz et fail.n. Dans ce cas, vérifiez le manomètre du régulateur. Si la pression est inférieure à 25 lb/po2, le débit de gaz peut ne pas être suffisant pour calibrer correctement l'appareil. S'il y a une pression adéquate dans le cylindre, répéter les étapes 4 à 6. Si l'appareil ne fonctionne pas deux fois, contactez le support technique : 1-844-325-3050.
13. Une fois le calibrage passé, retirez la hotte d'étalonnage et démontez le cylindre et le régulateur.
14. Remonter le CX-xx (assurez-vous que la DEL est alignée avec le trou du boîtier avant). Le calibrage est terminé.

15. Voir l'organigramme d'étalonnage à l'intérieur du logement.

## 8 Annexe A - Tableau des chiffres

Figure 3-1 6 séries 4-20 mA Co Diagramme de sortie .....	139
.....	13
Figure 3-2 6 séries 4-20 mA NO2 Diagramme de sortie .....	149
.....	14
Figure 3-3 Vue arrière série 6 .....	1410
.....	14
Figure 3-4 Installation typique de la série 6 .....	1510
.....	15
Figure 3-5 Appareils multiples de la série 6 .....	1511
.....	15
Figure 3-6 Panneau de contrôle d'alarme de la série .....	166 11
.....	16
Figure 3-7 Panneau de contrôle DVP-120 série 6.....	1612
.....	16
Figure 3-8 Panneau d'alarme alternatif série 6.....	1712
.....	17
Figure 3-9 Câblage combiné corne et stroboscopique de la série .....	1713
.....	17
Figure 3-10 12 séries 4-20 mA Diagramme de sortie co .....	1915
.....	19
Figure 3-11 12 séries 4-20 mA NO2 Diagramme de sortie.....	2015
.....	20
Figure 3-12 Vue arrière de la série 12 .....	2016
.....	20
Figure 3-13 Installation typique de la série 12 .....	2116
.....	21
Figure 3-14 Diagramme de plusieurs appareils de la série 12 .....	2117
.....	21
Figure 3-15 Panneau de contrôle d'alarme de la série 12 .....	2218
.....	22
Figure 3-16 Panneau de contrôle DVP-120 série .....	2218
.....	22
Figure 3-17 Panneau d'alarme alternatif de la série .....	2312 19
.....	23

Figure 3-18 Câblage combiné corne et stroboscopique de la série ..... 2319  
..... 23

Figure 5-1 - Tableau ..... 3732  
..... 37 du code de dérangement

Figure 5-2 - Tableau de conversion hexadécimale ..... 3733  
..... 37

Figure 5-3 - Emplacement du capteur de remplacement ..... 3934  
..... 39

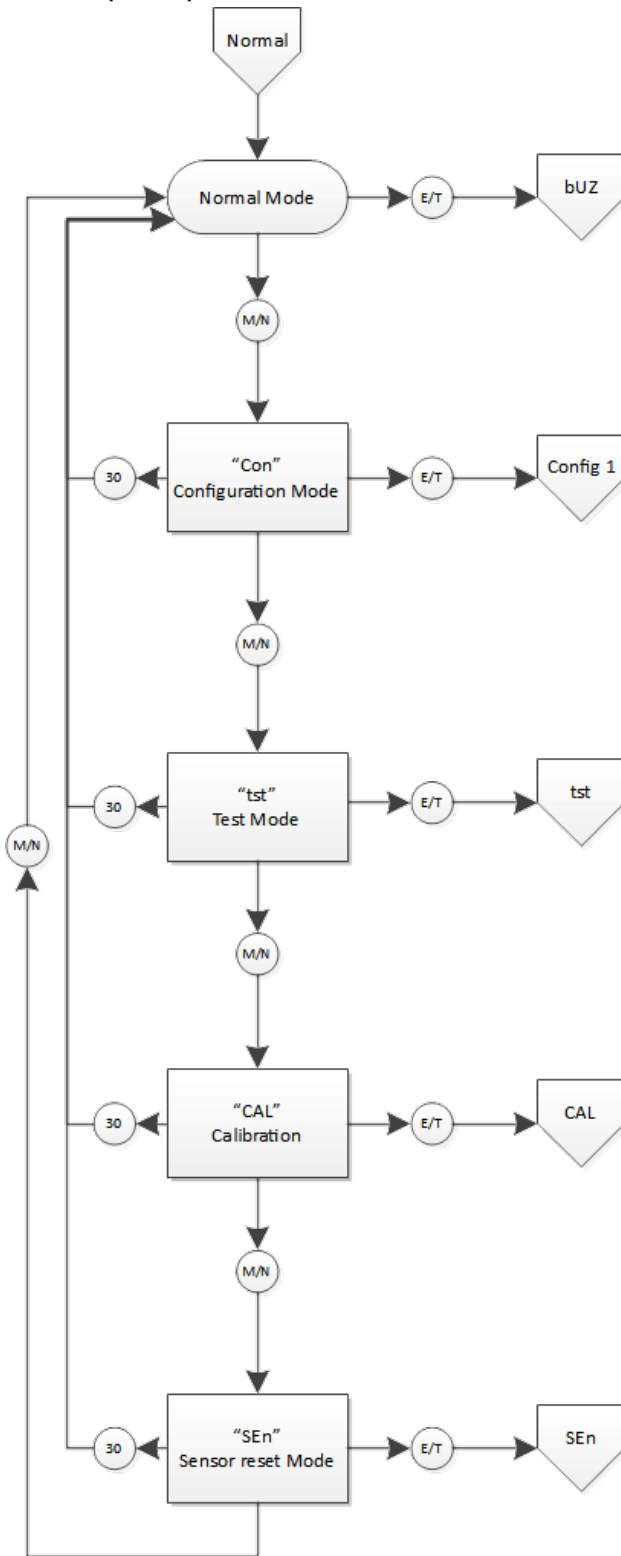
Figure 7-1 - Mode test de fonctionnement Tableau ..... 4237  
..... 42

Figure 7-2 - Mode d'essai manuel Tableau ..... 4237  
..... 42

Figure 7-1 - Connexion du kit ..... 44d'étalonnage 39  
..... 44




## 9 Annexe B - Structure du menu

### 9.1 Menu principal



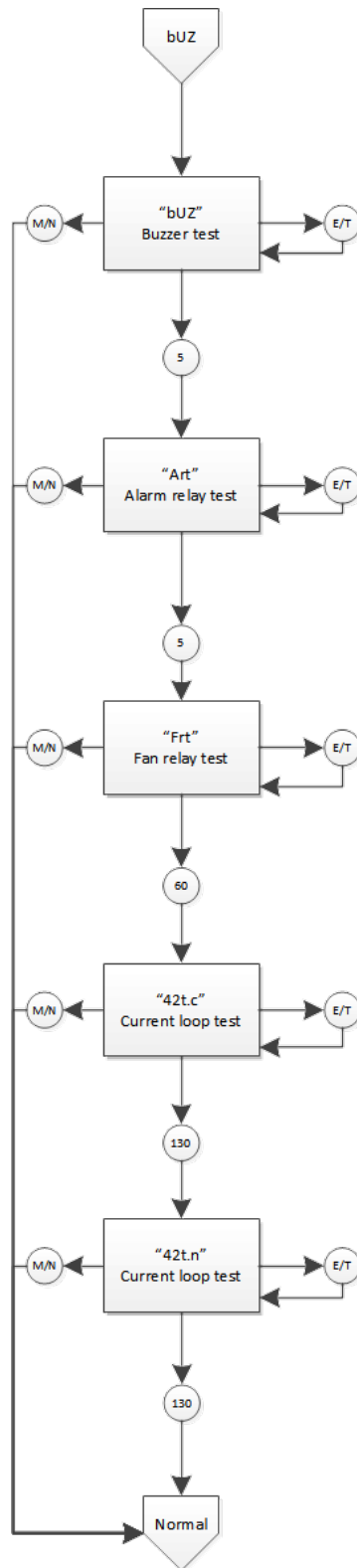
NOTES:  
1. Firmware version 2.01.

NOTES:  
1. Sensor settings are in the sensor settings spreadsheet. Any settings here are for demo purposes only.  
2. RED indicates where changes are made to the configuration.  
3. quotation marks are what is shown on the display. When there are two strings within quotation marks separated by a slash (e.g. " /\_On") this indicates display alternating between the strings.

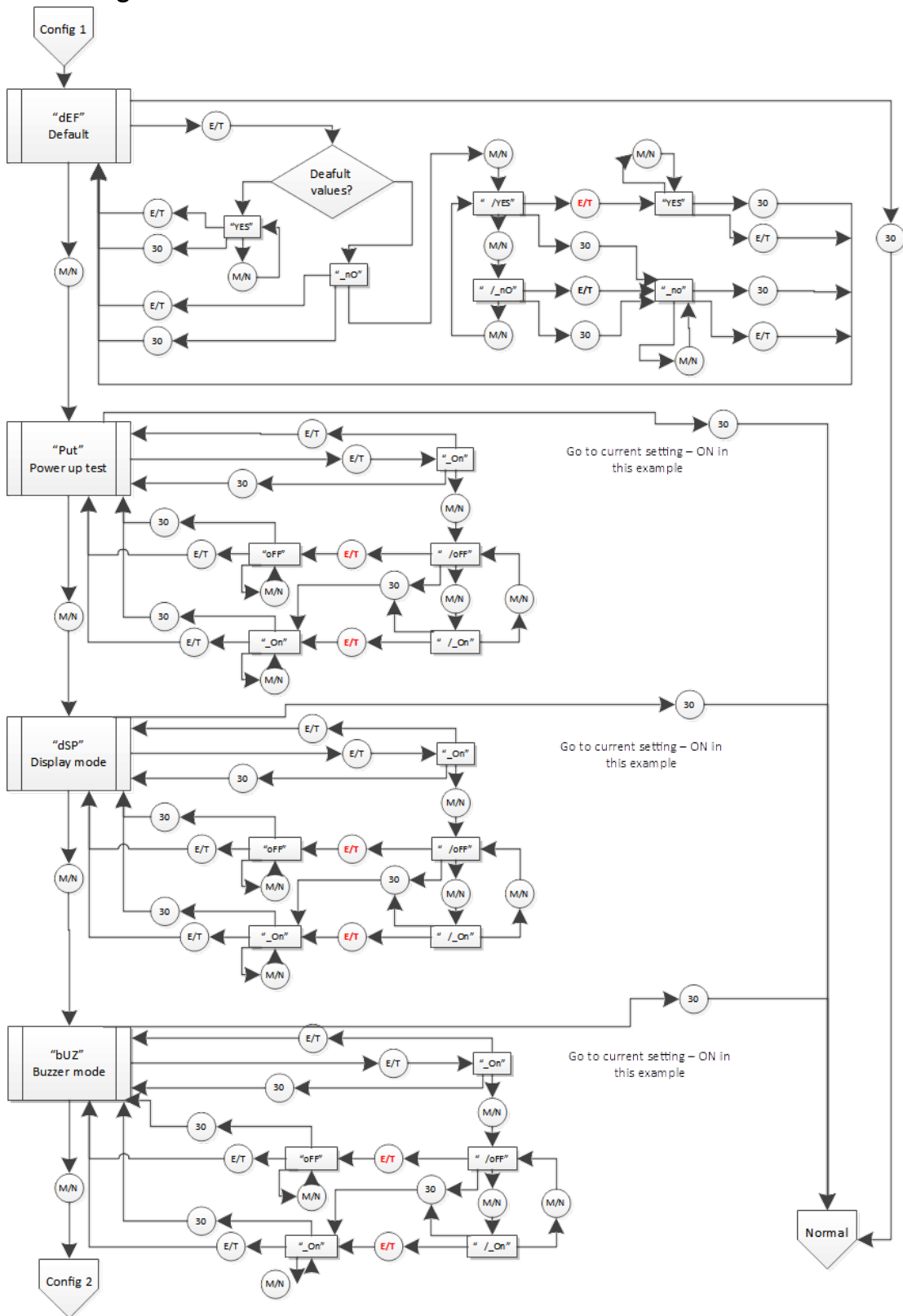
-  Menu / Next Button
-  Enter / Test Button
-  Wait for XX seconds

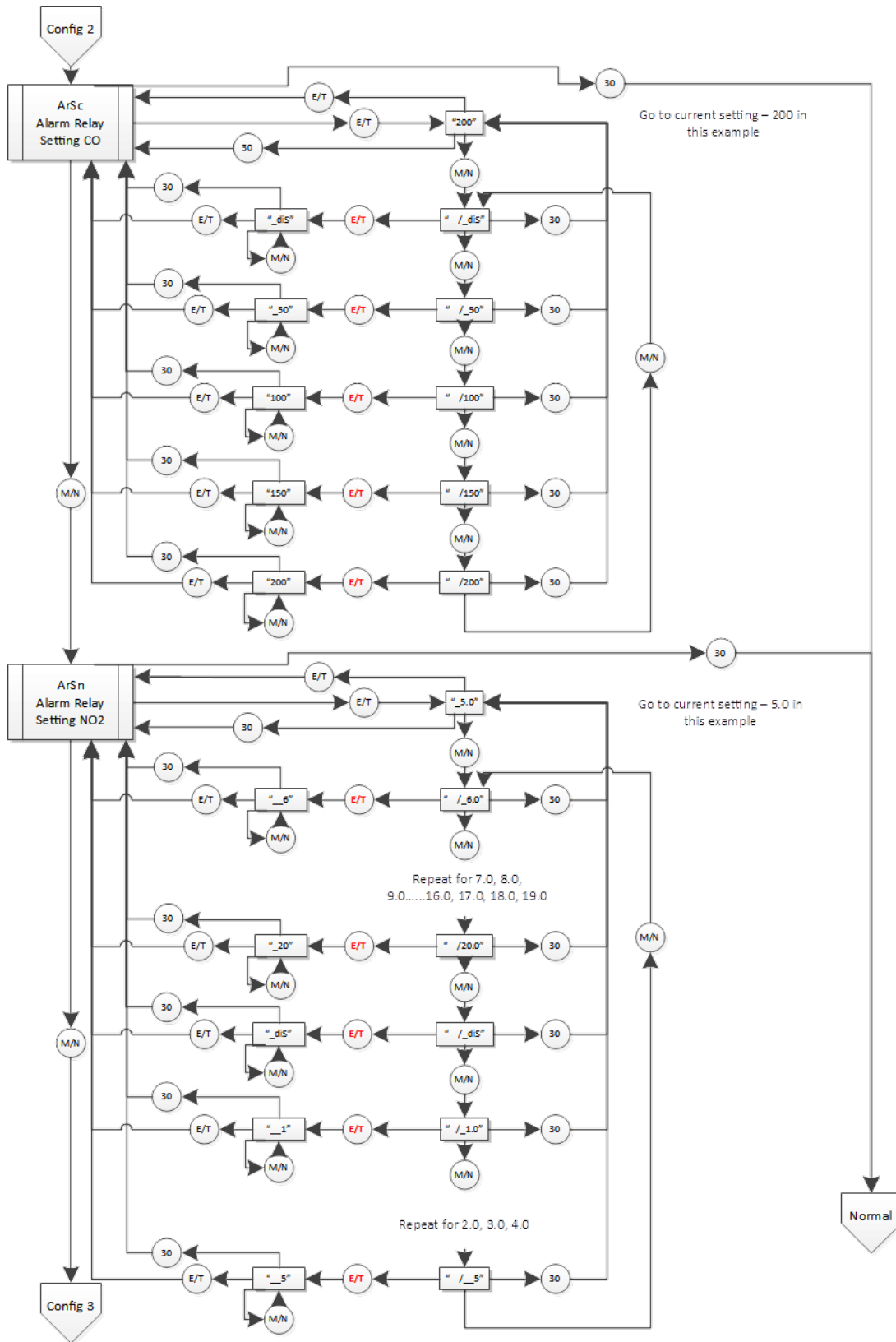


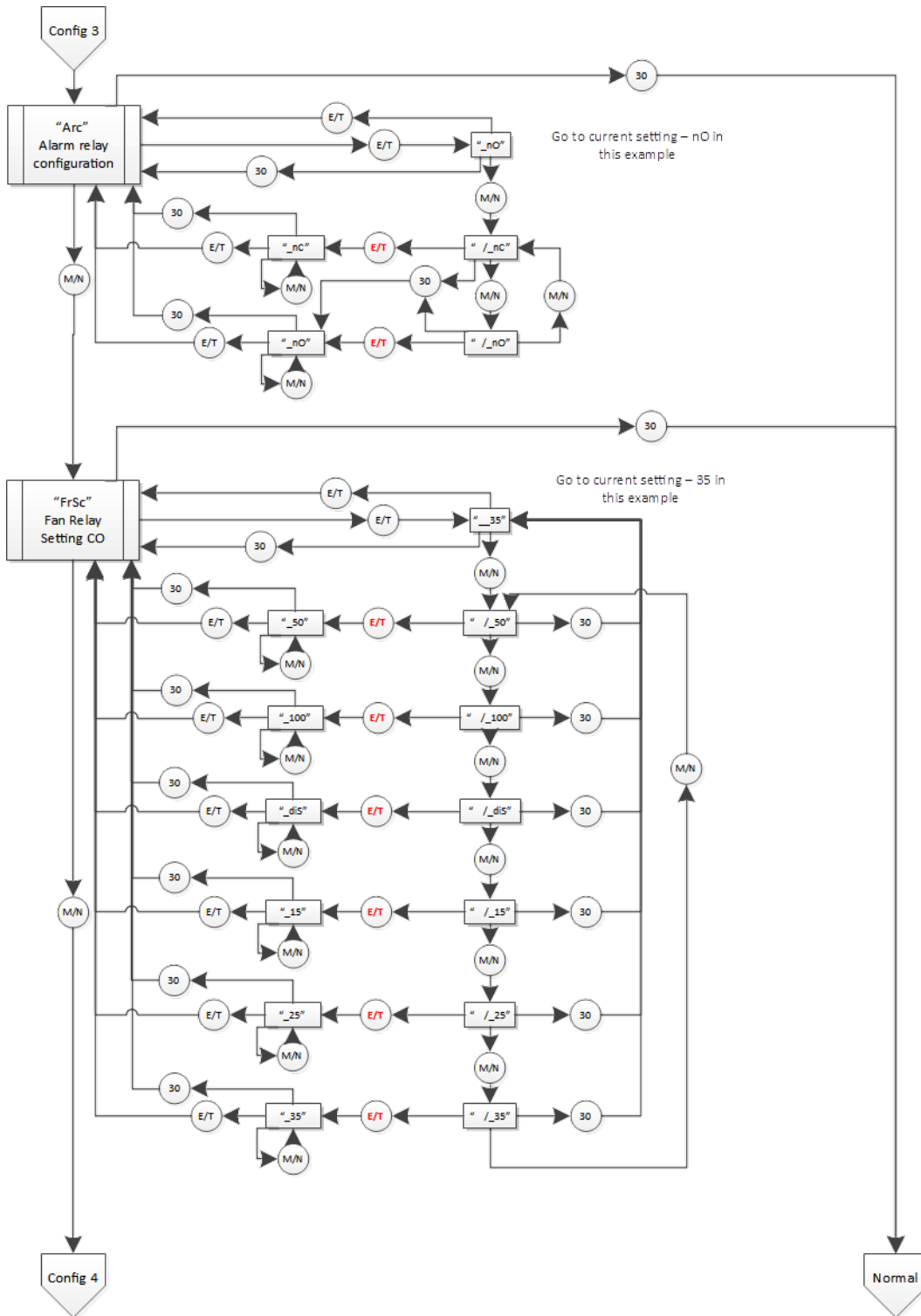
## 9.2 Menu test automatique « bUZ »

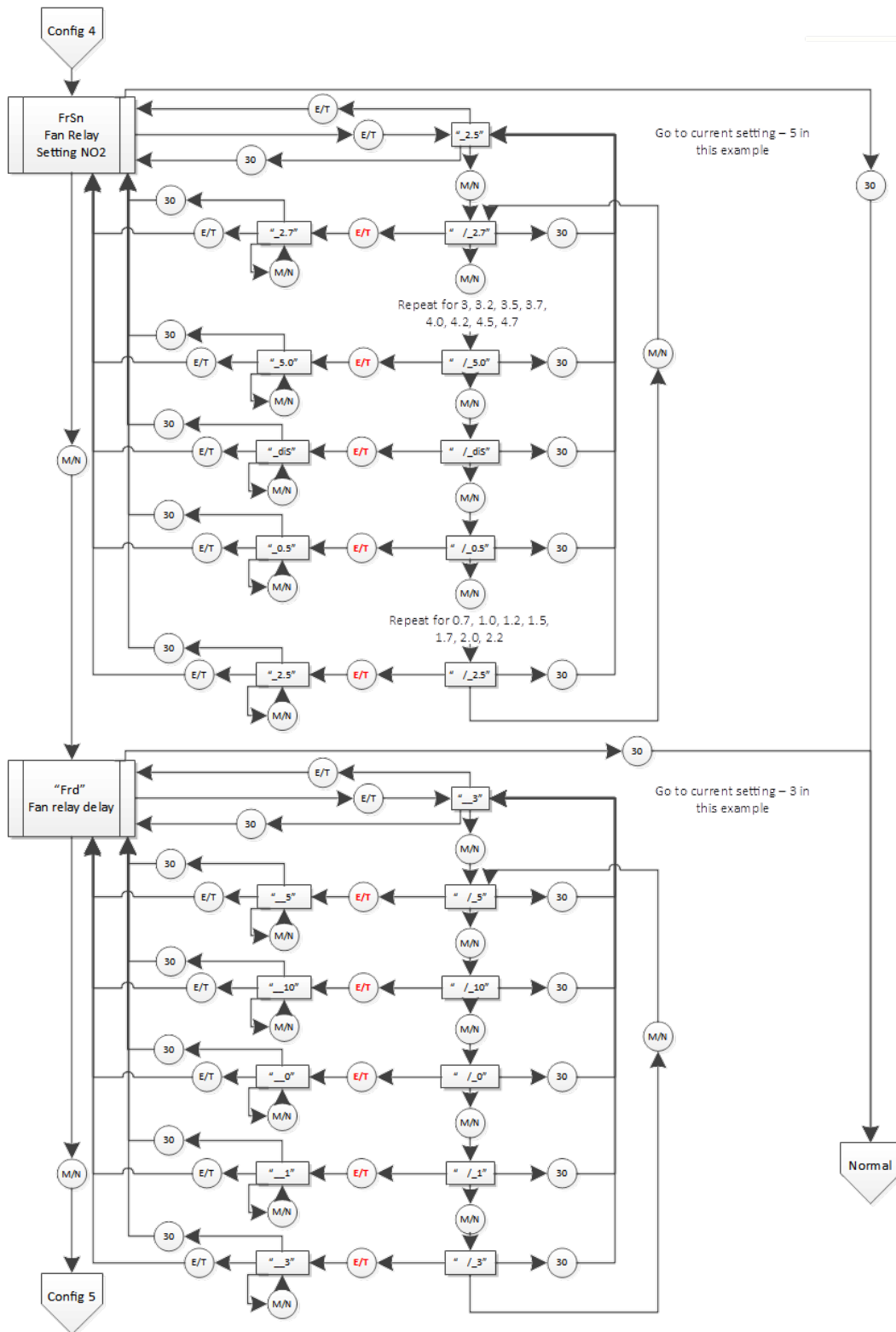


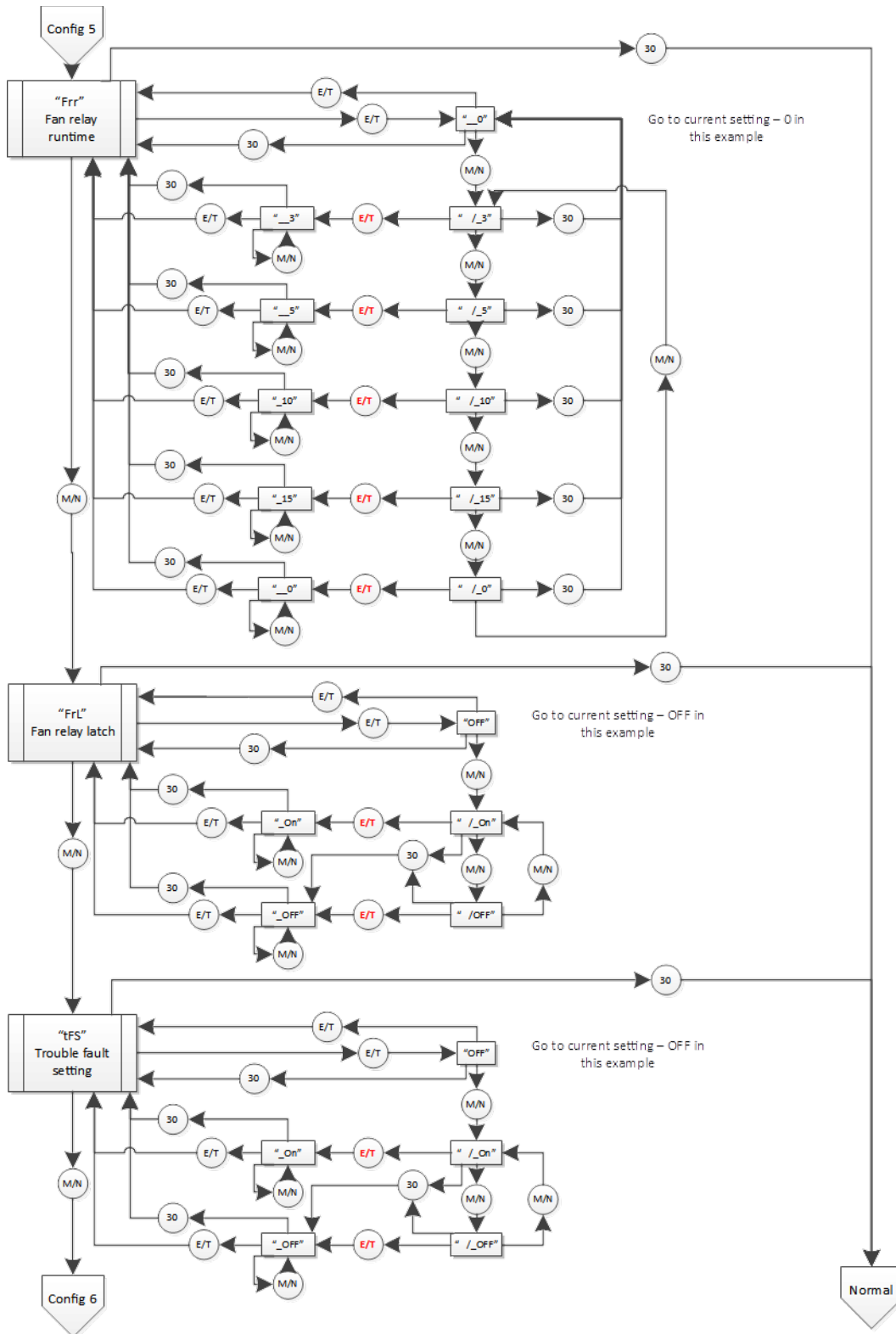
### 9.3 Menu de configuration « CON »

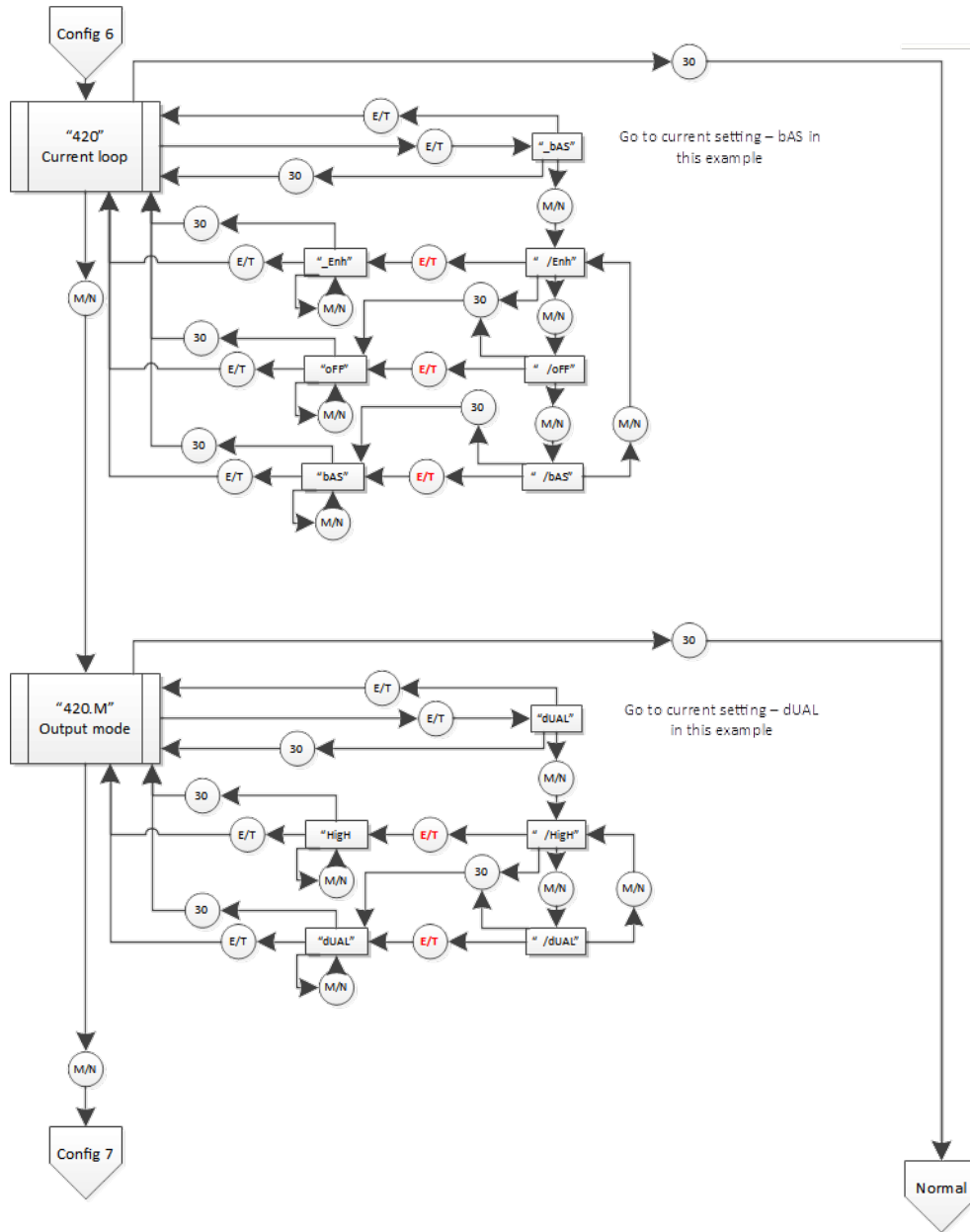


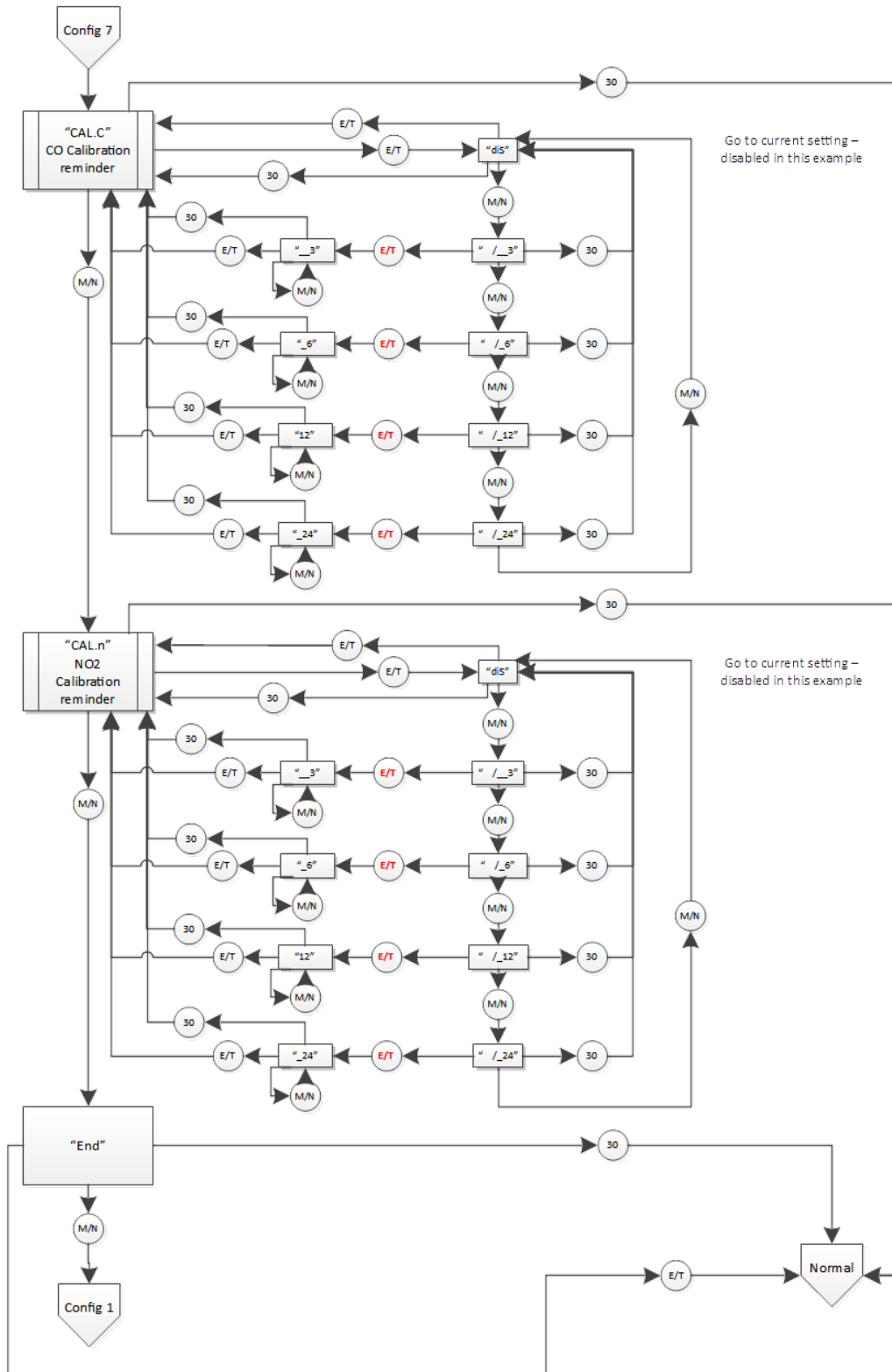






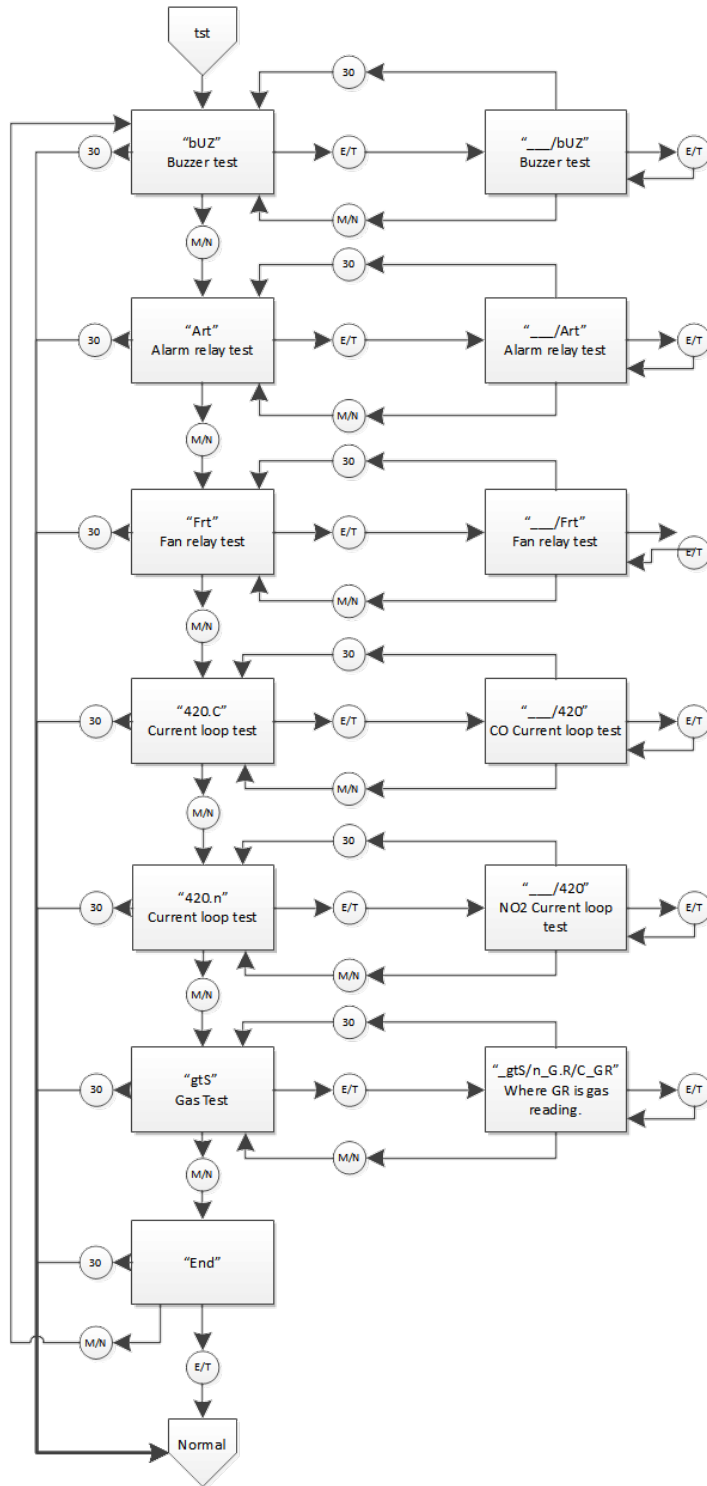




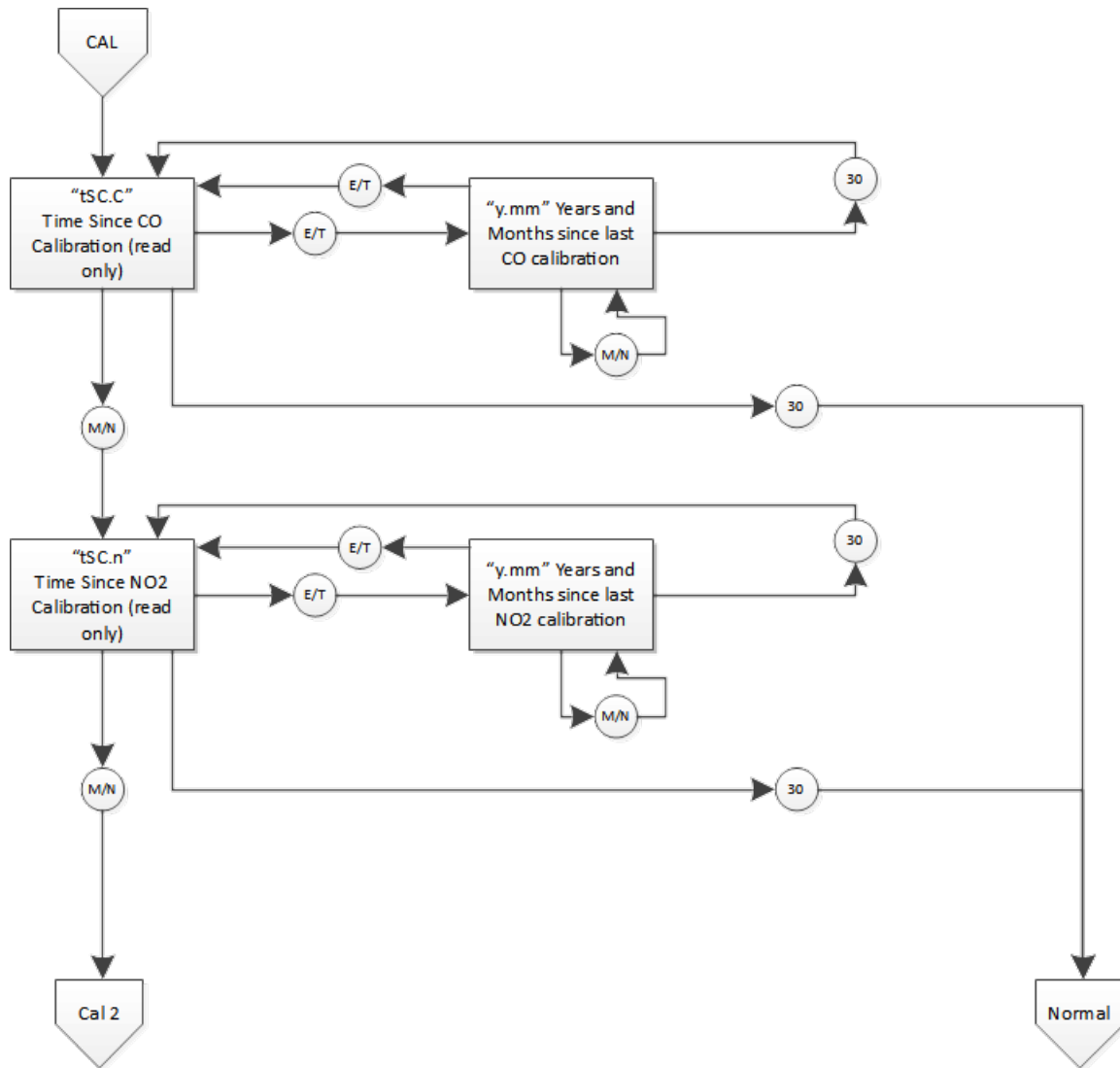


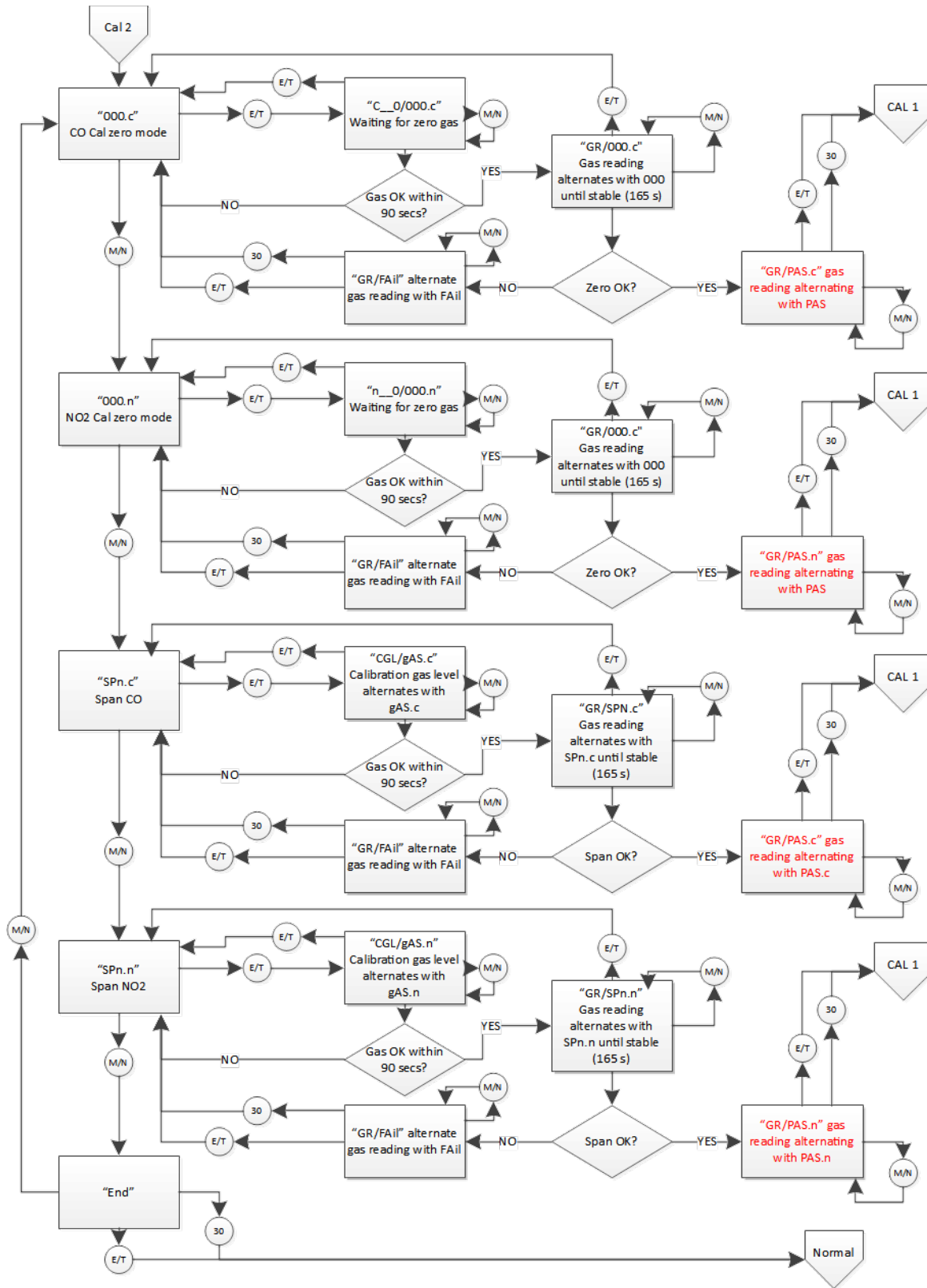


### 9.4 Sélectionnez menu test « tst »

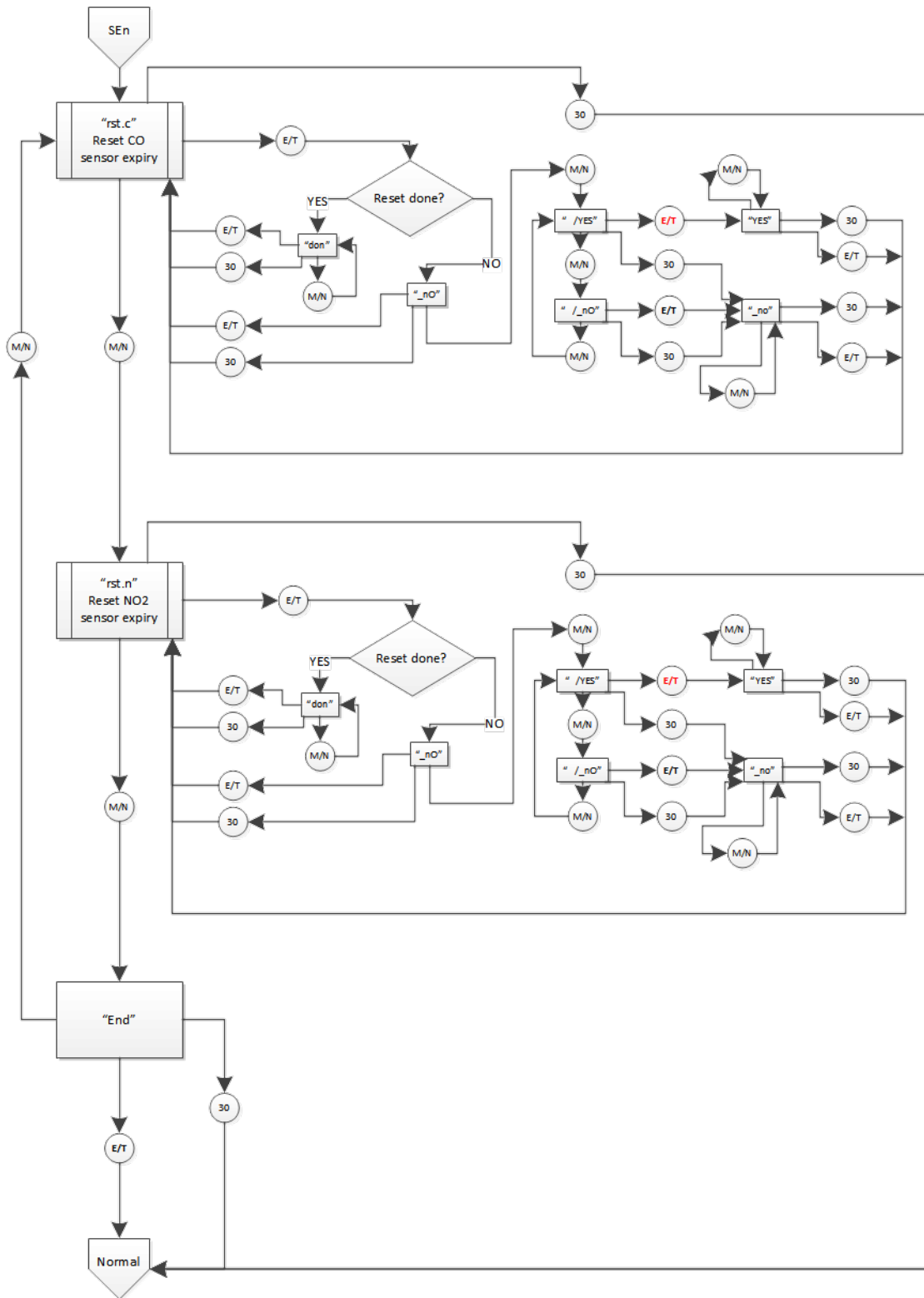


### 9.5 CAL Menu





### 9.6 SEn Menu





## 10 Macurco Gas Detection Product garantie limitée

Macurco garantit que le détecteur de gaz CX-xx sera exempt de matériaux défectueux et de main-d'œuvre pendant une période de deux (2) ans à compter de la date de fabrication (indiqué sur un autocollant sur le PCB et sur un autocollant à l'arrière de la plaque de montage), à condition qu'il soit entretenu et utilisé conformément aux instructions et/ou recommandations de Macurco. Si un composant devient défectueux pendant la période de garantie, il sera remplacé ou réparé gratuitement, si l'appareil est retourné conformément aux instructions ci-dessous. Cette garantie ne s'applique pas aux appareils qui ont été modifiés ou qui ont fait l'objet d'une tentative de réparation, ou qui ont été victimes d'abus, accidentels ou autres. La garantie ci-dessus remplace toutes les autres garanties, obligations ou responsabilités expresses. LES GARANTIES IMPLICITES DE QUALITÉ MARCHANDE ET D'APTITUDE À DES FINS PARTICULIÈRES SONT LIMITÉES À UNE PÉRIODE DE DEUX (2) ANS À COMPTER DE LA DATE D'ACHAT. Macurco n'est pas responsable des dommages accessoires ou consécutifs pour violation de cette garantie ou de toute autre garantie, expresse ou implicite, découlant de ou liée à l'utilisation dudit détecteur de gaz. La responsabilité du fabricant ou de son agent se limite au remplacement ou à la réparation tel qu'indiqué ci-dessus. Les seuls et exclusifs recours de l'acheteur sont le retour de la marchandise et le remboursement du prix, ou la réparation et le remplacement de marchandises ou de pièces non conformes.

### Détection de gaz Macurco

3601, avenue N. St. Paul  
Sioux Falls, DD 57104

#### Coordonnées du support technique

**Téléphone:** 1-844-325-3050  
**Télécopieur:** 1-605-951-9616  
**Courriel:** support@macurco.com  
**SiteWeb:** www.macurco.com/support/

#### Coordonnées générales

**Téléphone:** 1-877-367-7891  
**Télécopieur:** 1-605-951-9616  
**Courriel:** info@macurco.com  
**Site Web:** www.macurco.com

Rev - 1. 2 Le

Date d'émission: 6-23-2021

Document no 34-2900-0512-0

© Aerionics 2021. Tous droits réservés.

Macurco est une marque de commerce d'Aerionics, Inc.





## Macurco™ CX-6, CX-12

Detector, controlador y transductor de combinación de monóxido de carbono y dióxido de nitrógeno

Instrucciones para el usuario



IMPORTANTE: Conserve estas instrucciones de usuario como referencia.





1 Información general sobre seguridad .....  
84 .....  
8  
1.1 Descripción general .....  
84 .....  
8  
1.2 Lista de advertencias .....  
84 .....  
8  
2 Utilizar instrucciones y limitaciones .....  
95 .....  
9  
2.1 Utilizar para .....  
95 .....  
9  
2.2 No usar para .....  
106 .....  
10  
2.3 Características .....  
106 .....  
10  
2.4 Especificaciones .....  
106 .....  
10  
2.4.16-Series De Baja Tensión .....  
117 .....  
11  
Voltaje de línea .....  
117 .....  
11 de la serie 2.4.212  
3 Instrucciones de instalación y funcionamiento .....  
117 .....  
11  
3.1 Localización .....  
117 .....  
11  
3.2 Instalación .....  
128 .....  
12  
3.2.16-Series De Baja Tensión .....  
128 .....  
12

Voltaje de línea .....  
    1813 .....  
    18 de la serie 3.2.212

3.3 Conexión terminal .....  
    2418 .....  
    24

3.3.16-Series Baja Tensión.....  
    2418 .....  
    24

Voltaje de línea 19 de la serie .....  
    253.3.212 .....  
    25

4 Operaciones.....  
    2620 .....  
    26

4.1 Potenciar para arriba.....  
    2620 .....  
    26

4.2 Mostrar "Encendido" .....  
    2620 .....  
    26

4.3 Mostrar "Desactivado" .....  
    2721 .....  
    27

4.44-20mA Lazo .....  
    2722 .....  
    27

4.5 Configuración "CON" .....  
    2822 .....  
    28

4.5.1 Valor predeterminado – Configuración de fábrica.....  
    2823 .....  
    28

4.5.2 Seleccione Configuración predeterminada – "dEF" .....  
    2923 .....  
    29

4.5.3 Seleccione configuración .....  
    29 de prueba de .....  
    29 encendido – "PUt" .....  
    2923 .....  
    29

4.5.4 Seleccione Configuración de pantalla – "dSP" .....  
3024 .....  
30

4.5.5 Seleccione la configuración del zumbador – "bUZ" .....  
3024 .....  
30

4.5.6 Seleccione Configuración del relé de alarma para CO – "ArS.C" .....  
3024 .....  
30

4.5.7 Seleccione configuración de relé de alarma para NO2 – "ArS.n" .....  
3125 .....  
31

4.5.8 Seleccione Configuración del relé de alarma – "Arco" .....  
3125 .....  
31

4.5.9 Seleccione la configuración del relé del ventilador para CO – "FrS.C" .....  
3225 .....  
32

4.5.10 Seleccione la configuración del relé del ventilador para NO2 – "FrS.n" .....  
3226 .....  
32

4.5.11 Seleccione ajuste de retardo del relé del ventilador – "Frd" .....  
3226 .....  
32

4.5.12 Seleccione la configuración de tiempo de ejecución mínima de relé de ventilador – "Frr" .....  
3326 .....  
33

4.5.13 Seleccione la configuración de enganche del relé del ventilador – "FrL" .....  
3327 .....  
33

4.5.14 Seleccione configuración del ventilador de problemas – "tFS" .....  
3327 .....  
33

4.5.15 Seleccione la configuración de salida 4-20mA – "420" .....  
3427 .....  
34

4.5.16 Seleccione el modo 4-20mA – "420.n" .....  
3428 .....  
34

4.5.17 Seleccione el período de calibración para el sensor de CO – "CAL. C" .....  
3528 .....  
35

- 4.5.18 Seleccione el período de calibración para el sensor NO .....
  - 352 .....
  - 35 – "CAL.n" .....
  - 3529 .....
  - 35 .....
- 5 Troubleshooting .....
  - 3629 .....
  - 36 .....
  - 5.1 Diagnóstico en placa.....
    - 3629 .....
    - 36 .....
    - 5.1.14-20mA solución de problemas.....
      - 3629 .....
      - 36 .....
    - 5.1.2 Ód códigos .....
      - 36 detroubles 29.....
      - 36 .....
  - 5.2 Envenenamientos sensores .....
    - 3831 .....
    - 38 .....
  - 5.3 Sensor caducado .....
    - 3831 .....
    - 38 .....
- 6 Mantenimiento.....
  - 4032 .....
  - 40 .....
  - 6.1 Reajuste de la vida.....
    - 40 del sensor 32.....
    - 40 .....
  - 6.2 Limpieza.....
    - 4133 .....
    - 41 .....
- 7 Prueba .....
  - 4133 .....
  - 41 .....
  - 7.1 Prueba .....
    - 4133 .....
    - 41 .....
    - 7.1.1 Proberación de .....
      - 41 funcionamiento 33 .....
      - 41 .....

- 7.1.2 Probación de funcionamiento manual .....
  - 4234 .....
  - 42 .....
- 7.2 Kits de calibración y prueba .....
  - 4334 .....
  - 43 .....
- 7.3 Pruebas de .....
  - 44 gas 36 .....
  - 44 .....
  - 7.3.1 Prueba del relé del ventilador .....
    - 4436 .....
    - 44 .....
  - 7.3.2 Prueba del relé de alarma .....
    - 4537 .....
    - 45 .....
  - 7.3.3 Prueba del bucle 4-20mA .....
    - 4537 .....
    - 45 .....
  - 7.3.4 Ensayo de monóxido de carbono de Aerosol (sólo monóxido de carbono) .....
    - 4637 .....
    - 46 .....
- 7.4 Estado de calibración de .....
  - 46 campo 38 .....
  - 46 .....
  - 7.4.1 Calibración cero para el sensor de CO .....
    - 4738 .....
    - 47 .....
  - 7.4.2 Calibración cero para .....
    - 47 el sensor .....
    - 47 NO<sub>2</sub> .....
    - 47 38 .....
    - 47 .....
  - 7.4.3 Calibración del span para el sensor de CO .....
    - 4739 .....
    - 47 .....
  - 7.4.4 Calibración del span para .....
    - 48 el sensor .....
    - 48 NO<sub>2</sub> .....
    - 48 39 .....
    - 48 .....
- 8 Aprobación A – Tabla de figuras .....
  - 5041 .....
  - 50 .....

9Aplicación B – Estructura de menú .....  
    5242 .....  
    52  
    9.1Menú principal .....  
        5242 .....  
        52  
    9.2Menú de prueba automático "bUZ" .....  
        5343 .....  
        53  
    9.3Menú de configuración "CON" .....  
        5444 .....  
        54  
    9.4Seleccione el menú de prueba "tst" .....  
        6151 .....  
        61  
    9.5MenúCAL .....  
        6252 .....  
        62  
    9.6En menú.....  
        6454 .....  
        64  
10Macurco Gas Detection Product garantía limitada .....  
    6555 .....  
    65  
    **Información de contacto de soporte técnico**..... 6555  
    ..... 65  
    **Información general de contacto** ..... 6555  
    ..... 65

# 1 Información general de seguridad

Las siguientes instrucciones están destinadas a servir como una guía para el uso de la Macurco CX-6 y CX-12 Monóxido de Carbono & Dióxido de Nitrógeno Detector de Combinación. Este manual se referirá a estos dispositivos como CX-xx a menos que el contenido sea específico de un modelo. Este manual no debe considerarse todo incluido, ni pretende reemplazar la política y los procedimientos de su instalación. Si tiene alguna duda sobre la aplicabilidad del equipo a su situación, consulte a un higienista industrial o llame al Soporte Técnico al 1-844-325-3050.


## 1.1 Descripción general

El Macurco CX-xx es una combinación de estilo comercial monóxido de carbono y detector de gas de dióxido de nitrógeno / transductor. Es un sistema de detección electrónica utilizado para medir la concentración de CO y NO<sub>2</sub> y proporcionar retroalimentación y control automático del ventilador de escape para ayudar a reducir las concentraciones de CO y NO<sub>2</sub> en estacionamientos, instalaciones de mantenimiento u otras aplicaciones comerciales.

Está disponible tanto en una opción de baja tensión (CX-6) como de tensión de línea (CX-12). El CX-xx es un medidor de bajo nivel capaz de mostrar en el rango 0-200 ppm (partes por millón) de monóxido de carbono M y 0-20 ppm de dióxido de nitrógeno. El CX-xx tiene opciones seleccionables de salida de 4-20 mA, zumbador y pantalla digital. El CX-xx está calibrado de fábrica y 100% probado para un funcionamiento adecuado, pero también se puede calibrar en el campo.


El CX-xx está destinado a ser montado en una caja eléctrica de 4 x4. Puede funcionar en una aplicación independiente o se puede conectar a un sistema de automatización de edificios, panel de control listado por UL u otro dispositivo de control que acepte una entrada analógica de 4-20mA. El CX-xx es compatible con el Panel de Control DVP de Macurco.

## 1.2 Lista de advertencias

 advertencia
Cada persona que utilice este equipo debe leer y entender la información de este manual de usuario antes de su uso. El uso de este equipo por personas no capacitadas o no calificadas o el uso que no está de acuerdo con este manual de usuario, puede afectar negativamente el rendimiento del producto.
Utilícese únicamente para monitorizar el gas que el sensor y el monitor están diseñados para detectar. De lo no hacerlo, puede resultar en exposiciones a gases no detectables y causar lesiones graves o la muerte. Para un uso adecuado, consulte el manual del supervisor o del usuario, o comuníquese con soporte técnico al 1-844-325-3050.
Es posible que este equipo no funcione eficazmente por debajo de 0 °F o por encima de 125 °F (-18 °C o por encima de 52 °C). El uso del detector fuera de este rango de temperatura puede afectar negativamente el rendimiento del producto.
Este detector ayuda a monitorear la presencia y el nivel de concentración de un determinado gas en el aire especificado. El mal uso puede producir una lectura inexacta, lo que significa que los niveles más altos del gas que se está monitoreando pueden estar presentes y podrían resultar en una sobreexposición y causar lesiones

<p>graves o la muerte. Para un uso adecuado, consulte el supervisor o el Manual del usuario, o comuníquese con soporte técnico al 1-844-325-3050.</p>
<p>Los terminales de alta tensión (120/240 VCA) se encuentran dentro de este detector, lo que representa un peligro para los técnicos de servicio. Sólo los técnicos cualificados deben abrir la caja del detector y dar servicio a los circuitos internos. Asegúrese de que la energía se desenergice de los relés del detector antes de dar servicio a la unidad. Si no lo hace, puede resultar en una descarga eléctrica.</p>
<p>No desensamblar la unidad ni intentar reparar o modificar ningún componente de este instrumento. Este instrumento no contiene piezas reparables por el usuario, y la sustitución de componentes puede afectar el rendimiento del producto.</p>
<p>El uso de un gas certificado con una concentración distinta de la indicada para este detector al realizar una prueba de verificación de calibración (prueba de protuberancia) producirá lecturas inexactas. Esto significa que los niveles más altos del gas que se está monitoreando pueden estar presentes y podrían resultar en una sobreexposición. Para un uso adecuado, consulte el supervisor o el Manual del usuario, o comuníquese con soporte técnico al 1-844-325-3050.</p>
<p>Se deben realizar los siguientes pasos al realizar una prueba de verificación de calibración (prueba de protuberancia) para garantizar el correcto rendimiento del monitor. No hacerlo puede afectar negativamente al rendimiento del producto.</p> <ul style="list-style-type: none"><li>• Al realizar una prueba de verificación de calibración (prueba de protuberancia) utilice únicamente gas de calibración certificado al nivel de concentración requerido.</li><li>• No pruebe con gas de calibración caducado.</li><li>• No cubra ni obstruya la pantalla ni la cubierta de alarma visual.</li><li>• Asegúrese de que las entradas del sensor no estén obstruidas y libres de desechos</li></ul> <p>El incumplimiento de las instrucciones descritas en este manual de usuario puede resultar en enfermedad o muerte.</p>

## 2 Instrucciones de uso y limitaciones

 <b>advertencia</b>
<p>Cada persona que utilice este equipo debe leer y entender la información de este manual de usuario antes de su uso. El uso de este equipo por personas no capacitadas o no calificadas o el uso que no está de acuerdo con este manual de usuario, puede afectar negativamente el rendimiento del producto.</p>

### 2.1 Uso para

El CX-xx proporciona detección de CO y NO<sub>2</sub> y control automático del ventilador de escape para instalaciones de mantenimiento de automóviles, garajes de estacionamiento cerrados, cuartos de servicio, almacenes y otras aplicaciones comerciales donde existe el potencial de monóxido de carbono y / o gas de dióxido de nitrógeno. El CX-xx cumple con los requisitos del Código uniforme de construcción para garajes cerrados y cumple con los estándares de OSHA para la exposición al CO y no<sub>2</sub>. El CX-xx se puede utilizar de forma independiente, con el Panel de Control



de Detección y Ventilación Macurco DVP-120, otros paneles de seguridad contra incendios/12 VCA o 24 VCC o sistemas de automatización de edificios.

### advertencia

Utilícese únicamente para monitorizar el gas que el sensor y el monitor están diseñados para detectar. De lo contrario, puede resultar en exposiciones a gases no detectables y causar lesiones graves o la muerte. Para un uso adecuado, consulte el manual del supervisor o del usuario, o comuníquese con soporte técnico al 1-844-325-3050.

## 2.2 NO utilizar para

El CX-xx no está destinado a ser utilizado en lugares peligrosos o aplicaciones industriales como refinerías, plantas químicas, etc. No monte el CX-xx cuando la temperatura ambiente normal sea inferior a 0°F o superior a 125°F (-18°C o superior a 52°C). El CX-xx se monta en una caja eléctrica tipo 4S suministrada por el contratista. No instale el CX-xx dentro de otra caja a menos que tenga un buen flujo de aire a través de ella.

### advertencia

Es posible que este equipo no funcione eficazmente por debajo de 0 °F o por encima de 125 °F (-18 °C o por encima de 52 °C). El uso del detector fuera de este rango de temperatura puede afectar negativamente el rendimiento del producto.

## 2.3 Funciones

- ETL listed Certificado a CSA C22.2 No 61010-1, Se Ajusta a UL Std. 61010-1
- Medidor de bajo nivel capaz de mostrar de 0-200 ppm de CO y 0-20 ppm de NO<sub>2</sub>
- El CX-xx cumple con el Código uniforme de construcción para garajes cerrados y cumple con los estándares de OSHA para la exposición de CO y NO<sub>2</sub>
- Activación seleccionable del ventilador y del relé de alarma
- 5 Un relé de ventilador SPDT controla los arrancadores de los ventiladores de escape
- 0,5 Un relé de alarma N.O. o N.C. se conecta a dispositivos de advertencia o paneles de control
- Bucle de corriente de 4-20 mA
- CX-xx se monta en una caja eléctrica estándar 4x4 y se convierte en la cubierta de la caja
- Sistema supervisado: cualquier problema interno del detector hará que el ventilador y el relé de alarma se activen
- El kit de calibración está disponible. Un tornillo permite el acceso para calibración o prueba de gas

## 2.4 características técnicas

- Peso del envío: 1 libra (0,45 kg)
- Medidas: 4 1/2 x 4 x 2 1/8 in. (11.4 X 11.4 X 5.3 cm)
- Color: Blanco o Gris oscuro
- Conexiones: enchufes/terminales
- Caja de montaje: (no incluida) 4x4 eléctrica
- Relé del ventilador: 5 A, 240 VCA, servicio de piloto, SPDT, enganche o sin enganche

- Accionamiento del relé del ventilador para CO: seleccionable a dIS (desactivar), 15, 25, 35 (predeterminado), 50 o 100 ppm
- Accionamiento del relé del ventilador para el N<sup>o</sup>2:seleccionable en dIS (desactivado) 0.5, 0.7, 1.0, 1.2, 1.5, 1.7, 2.0, 2.2, 2.5 (predeterminado), 2.7, 3.0, 3.2, 3.5, 3.7, 4.0, 4.2, 4.5, 4.7, 5.0 ppm
- Ajustes de retardo del ventilador de 0, 1, 3 (predeterminado), 5 y 10 minutos
- La configuración mínima de tiempo de ejecución de retransmisión de ventilador es 0 (predeterminada), 3, 5, 10 o 15 minutos
- Se puede seleccionar el enganche o no enganche del relé del ventilador (predeterminado)
- Relé de alarma: 0.5A 120 V, 60 VA
- Accionamiento del relé de alarma: N.O. seleccionable (por defecto) o N.C.
- Configuración del relé de alarma para CO: dIS, 50, 100, 150y 200 ppm (valor predeterminado)
- Configuración del relé de alarma para no<sub>2</sub>:dIS, 1, 2, 3, 4, 5 (predeterminado), 6, 7, 8, 9, 10, 11, 12, 13, 14, 15, 16, 17, 18, 19, 20 ppm
- Bucle actual 4-20 mA, seleccionable a 'bAS' (predeterminado), 'EnH', OFF
- Configuración del período de calibración: dis(predeterminado), 3, 6, 12 y 24 (meses)
- Zumbador: 85 dBA a 10cm configurable a On (por defecto) o OFF.
- Pantalla digital: LED de 4 dígitos seleccionable a Activado (predeterminado) u DESACTIVADO.
- Entorno operativo: 0 ° F a 125 ° F (-18°C a 52°C), 10 a 90% RH sin condensación

#### 2.4.1 Serie 6 de baja tensión

- Potencia: 3 W (máx.) de 12 a 24 VCA o de 12 a 32 VCC
- Corriente @ 24 VCC: 75 mA en alarma (dos relés), 50 mA (solo relé de ventilador) y 23 mA en espera

#### 2.4.2 Voltaje de línea de la serie 12

- Potencia: 100-240VAC (50 A 60 Hz)
- Actual: 1.0 A MAX

### 3 Instrucciones de instalación y funcionamiento

#### advertencia

Este detector ayuda a monitorear la presencia y el nivel de concentración de un determinado gas en el aire especificado. El mal uso puede producir una lectura inexacta, lo que significa que los niveles más altos del gas que se está monitoreando pueden estar presentes y podrían resultar en una sobreexposición y causar lesiones graves o la muerte. Para un uso adecuado, consulte el supervisor o el Manual del usuario, o comuníquese con soporte técnico al 1-844-325-3050.

#### 3.1 ubicación

Un CX-xx normalmente se monta a nivel de respiración, a unos 5 pies (1,5 metros) por encima del suelo en una pared o columna en un área central donde el movimiento del aire es generalmente bueno. La unidad, en promedio, puede cubrir aproximadamente 5,000 pies cuadrados (465 metros cuadrados) a 7,500 pies cuadrados (697 metros cuadrados). La cobertura depende del movimiento del aire dentro de la habitación o instalación. Es posible que se necesiten detectores adicionales cerca de cualquier área donde la gente

trabaje o donde el aire esté estancado. Algunos de los factores que afectan el área de cobertura son el tipo de aplicación, las áreas de trabajo y el movimiento del personal, el tamaño de la habitación, el movimiento del aire, la amenaza potencial, la ubicación de montaje, junto con otros factores específicos del sitio que deben considerarse. Por favor, compruebe las regulaciones o requisitos locales antes de la instalación. El CX-xx se monta en una caja eléctrica 4x4 suministrada por el contratista. No instale el CX-xx dentro de otra caja a menos que tenga un buen flujo de aire a través de ella. NO monte el CX-xx cuando la temperatura ambiente normal esté por debajo de 0 °F o supere los 125 °F (por debajo de -18 °C o por encima de 52 °C).

### advertencia

Los terminales de alta tensión (120/240 VCA) se encuentran dentro de este detector (CX-12), lo que representa un peligro para los técnicos de servicio. Sólo los técnicos cualificados deben abrir la caja del detector y dar servicio a los circuitos internos. Asegúrese de que la energía se desenergice de los relés del detector antes de dar servicio a la unidad. Si no lo hace, puede resultar en una descarga eléctrica.

## 3.2 instalación

### 3.2.1 Serie 6 de baja tensión

1. EICX-6 se monta en una caja eléctrica cuadrada de 4" (o 4x4) suministrada por el contratista. No monte el CX-6 dentro de otra caja, a menos que tenga un buen flujo de aire a través de ella.
2. Conecte el CX-6 a la fuente de alimentación de clase 2 solamente. Se sugiere utilizar un transformador separado para alimentar la unidad o unidades debido a posibles interferencias de otros dispositivos en la misma fuente de alimentación.
3. Conecte el CX-6 a los cables de control con enchufes de terminal. Al realizar conexiones, asegúrese de que la alimentación esté apagada.
4. Hay dos terminales para alimentación: 12 a 24 VCA o 12 a 32 VCC, sin preferencia de polaridad.
5. 4.5 Configuración "CON"
6. El relé de alarma se puede configurar para que se abra normalmente (predeterminado) (N.O.) o normalmente se cierre (N.C.) y se activará:
  - a. si la concentración de gas CO o NO<sub>2</sub> excede el punto de ajuste de alarma. Se desactivará una vez que la concentración de gas caiga por debajo del punto de ajuste de alarma. Tenga en cuenta que al configurar "ArS.C" y "ArS.n" en "diS" se desactivará el relé de alarma.
  - b. durante una potencia para arriba del "PUt de la prueba".
  - c. cuando una condición de problema está presente.
7. 4.5 Configuración "CON"
8. El relé del ventilador se puede configurar para el enganche o el no enganche (valor predeterminado) cuando se activa (cuando la concentración de gas supera el punto de ajuste del relé del ventilador). Una vez enganchado, la alimentación tendrá que ser interrumpida o el botón "PRUEBA" presionado para desenganchar la condición del relé.
9. El relé del ventilador se activará si se excede la concentración de monóxido de carbono o dióxido de nitrógeno del ajuste del ventilador durante más tiempo que el tiempo de retardo del relé del ventilador. A menos que esté configurado para el enganche, el relé del ventilador se desconectará una vez que se hayan cumplido las dos condiciones siguientes:

- La concentración de monóxido de carbono y dióxido de nitrógeno hecha por debajo de la configuración del ventilador
- Se ha superado el tiempo de ejecución del relé del ventilador

Tenga en cuenta que la configuración de "desactivar" del ventilador hará que el relé del ventilador no se enganche. El relé del ventilador entrará en la condición de falla de problema (si la Opción de configuración de ventilador de problemas está establecida en "ON") y se desconectará una vez que se borre la condición de falla de problema.

10. El bucle de corriente es de 4 mA en aire limpio y 4-20 mA para 0-200ppm DE CO y 4-20 mA para 0-20ppm NO<sub>2</sub>. Hay dos terminales y la polaridad está marcada en el conector.

**NOTA:** Se utilizará un cable de 22 a 12 GTE. El alambre utilizado debe cumplir con el rango de temperatura del detector, es decir, de 0 ° F a 125 ° F (-18°C a 52°C).

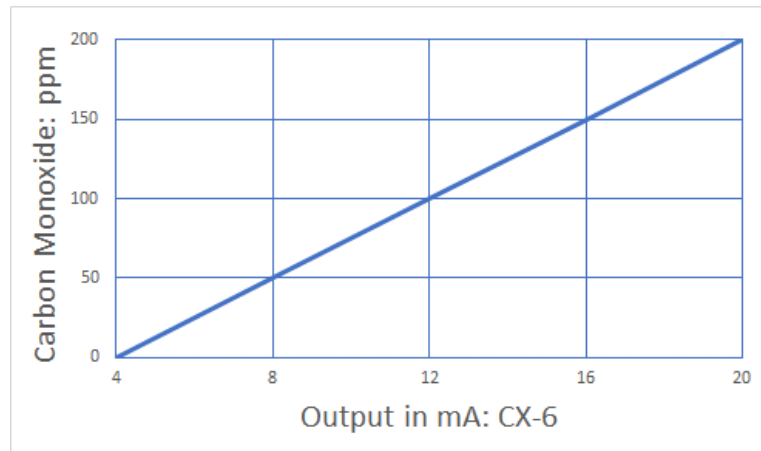


Figura 3–1 Diagrama de salida de CO de 6 series de 4-20 mA

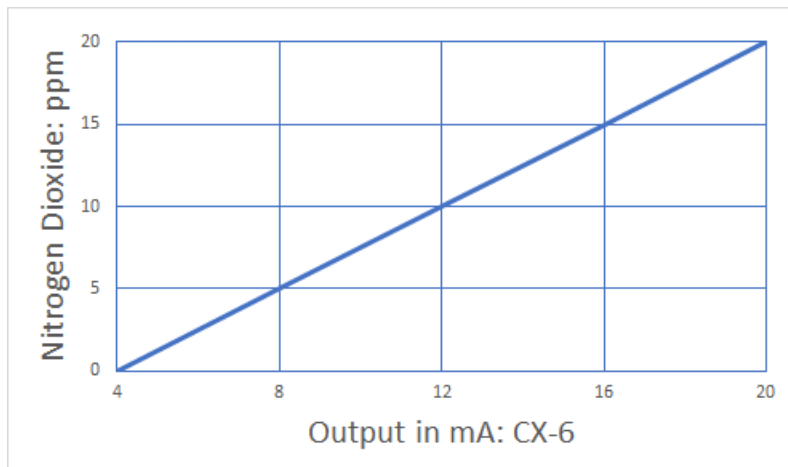


Figura 3–2 Diagrama de salida de NO<sub>2</sub> de 6 series de 4-20 mA

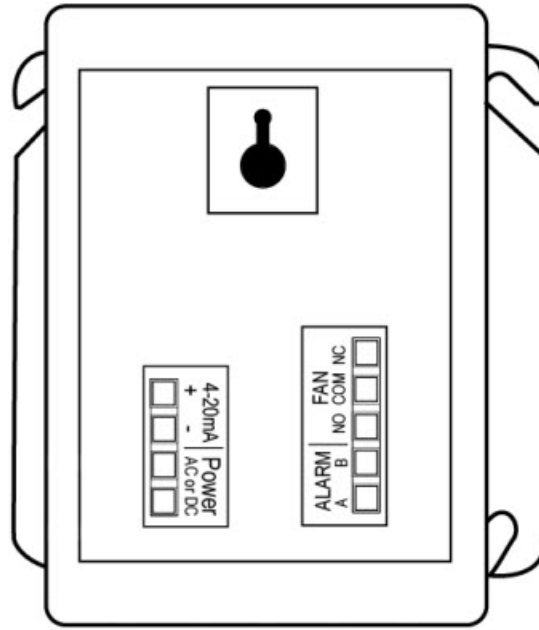
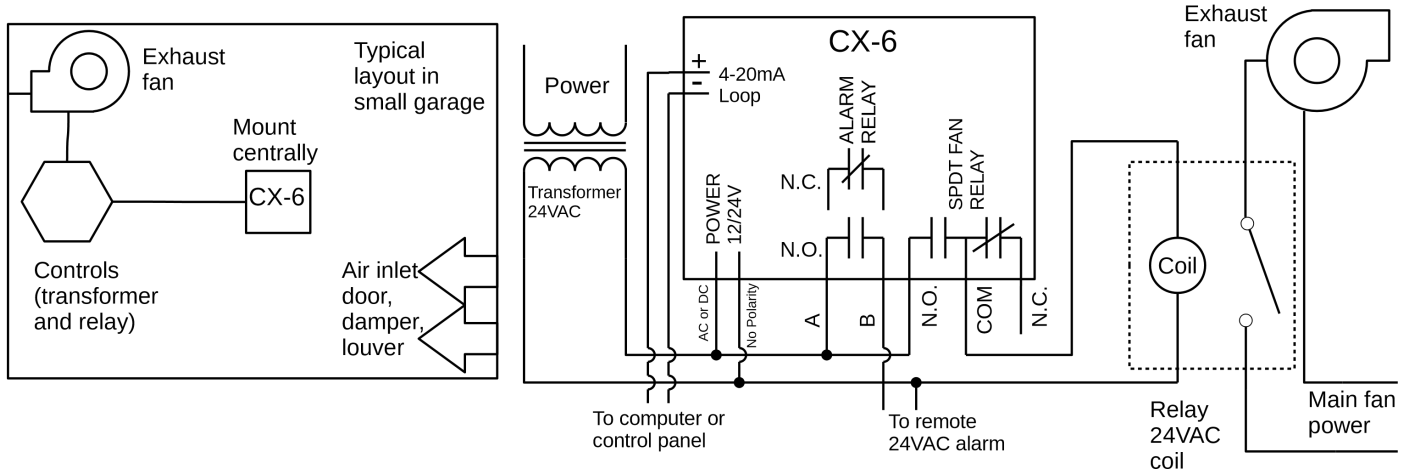
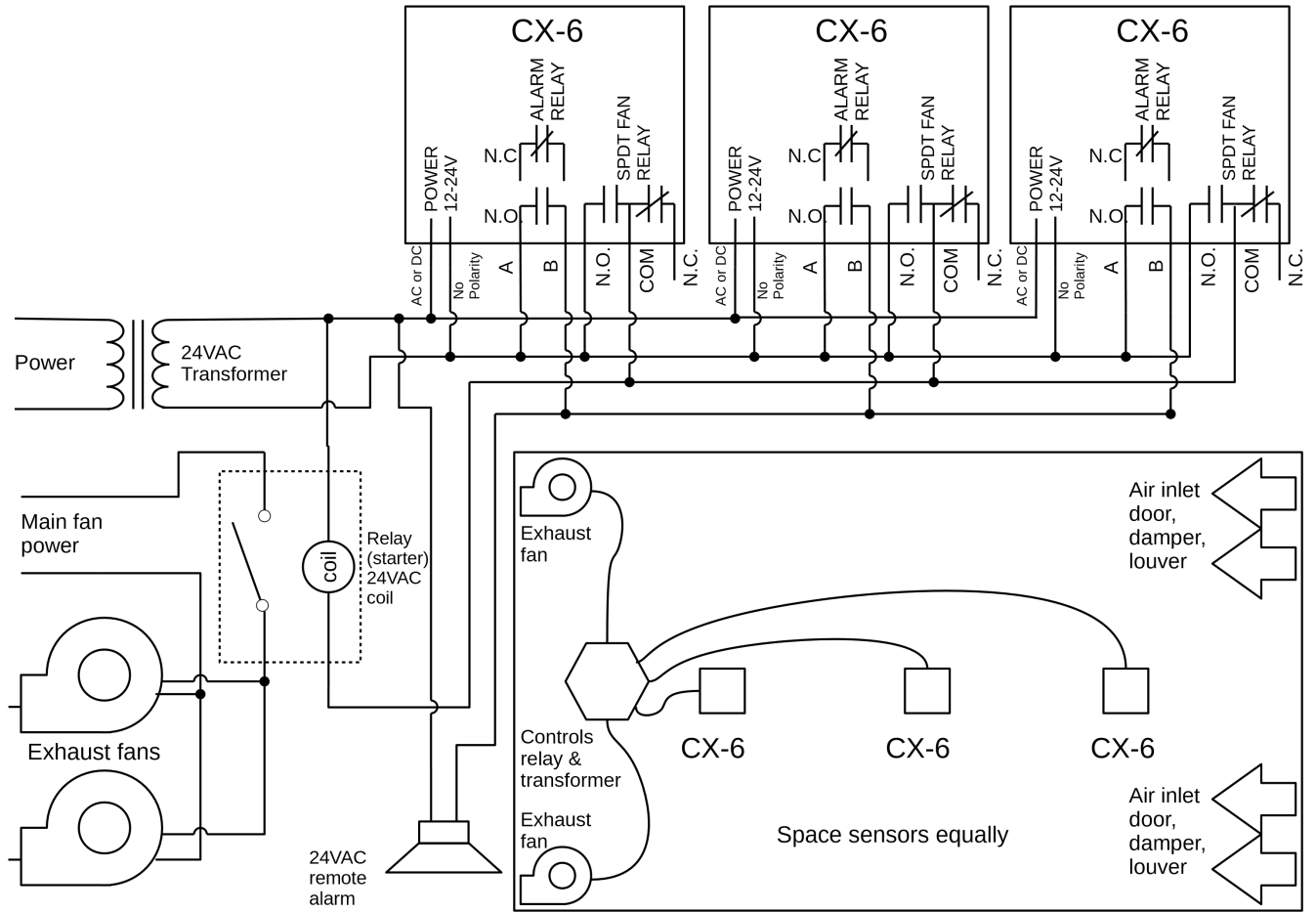


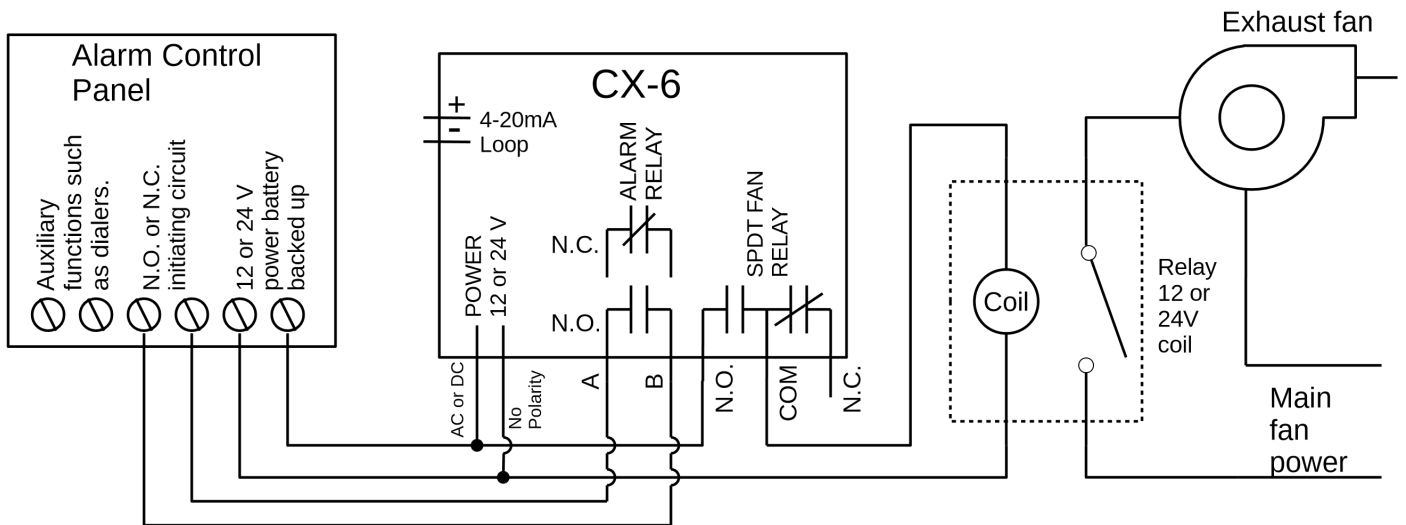
Figura 3-3 Vista trasera de la serie 6



Cuadro 3-4 Instalación típica de la serie 6 T



Cuadro 3-5 dispositivos múltiples de la serie 6s



Cuadro 3-Panel de control de alarma de la serie 6 6 6

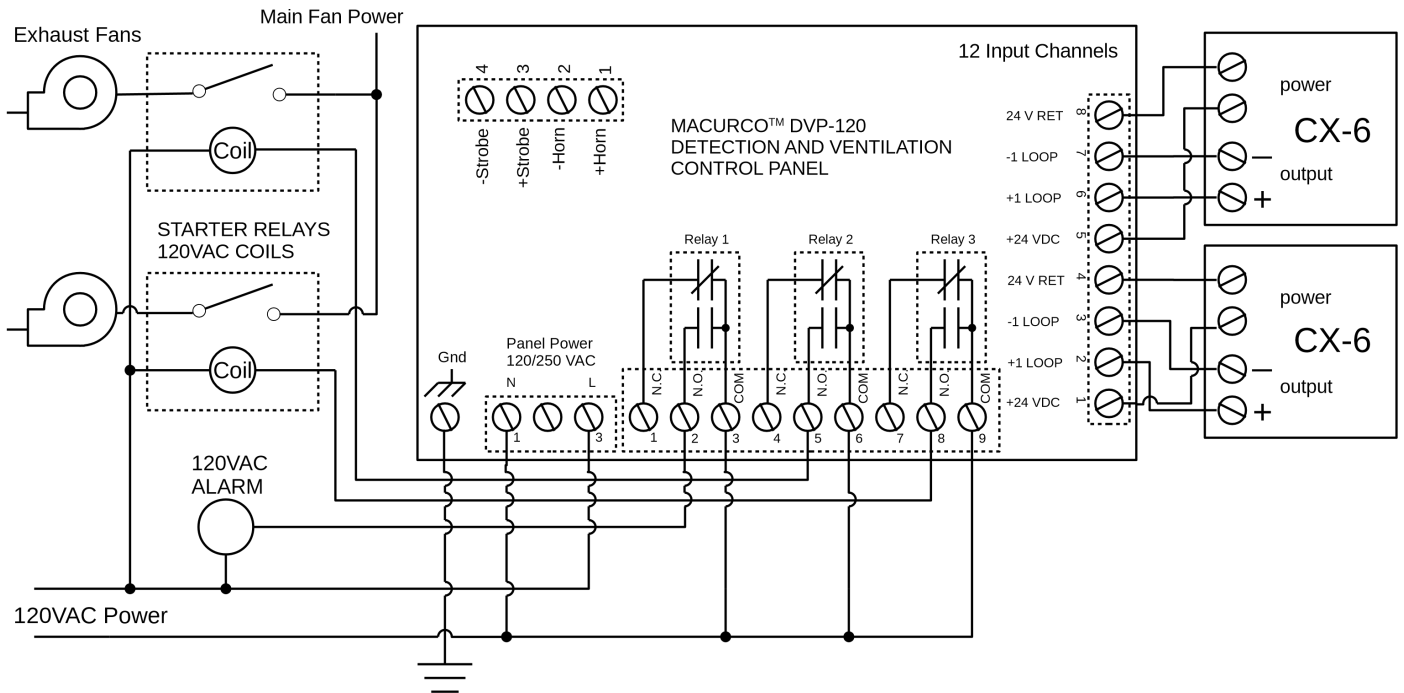
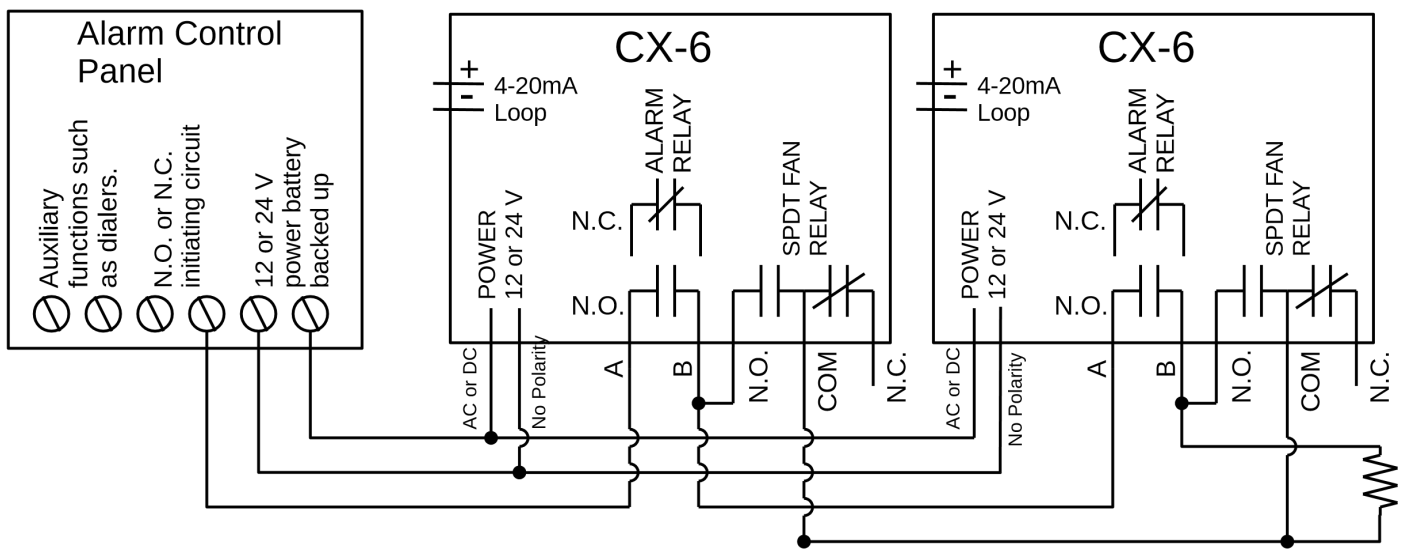


Figura 3–Panel de control DVP-120 de la serie 6 7



Cuadro 3–Panel de alarma alternativo de la 6-Series 8 8

En esta aplicación (arriba) el ventilador o el relé primario se utiliza como un relé de alarma de bajo nivel. La alarma o el relé secundario se utiliza como relé de supervisión cuando se utiliza en la configuración normalmente cerrada. El CX-6 monitorea todas las funciones críticas de la unidad a través de diagnósticos de software que prueban y verifican continuamente sus operaciones. Si se encuentra un problema, la unidad cambiará a un modo a prueba de

fallos/error o condición de problema. En este modo de error, se activarán los relés Fan\* y Alarm indicando la condición de problema en el panel y la pantalla CX-6 parpadeará el error.

4.5.14 Seleccione la configuración del ventilador de problemas – "tFS"

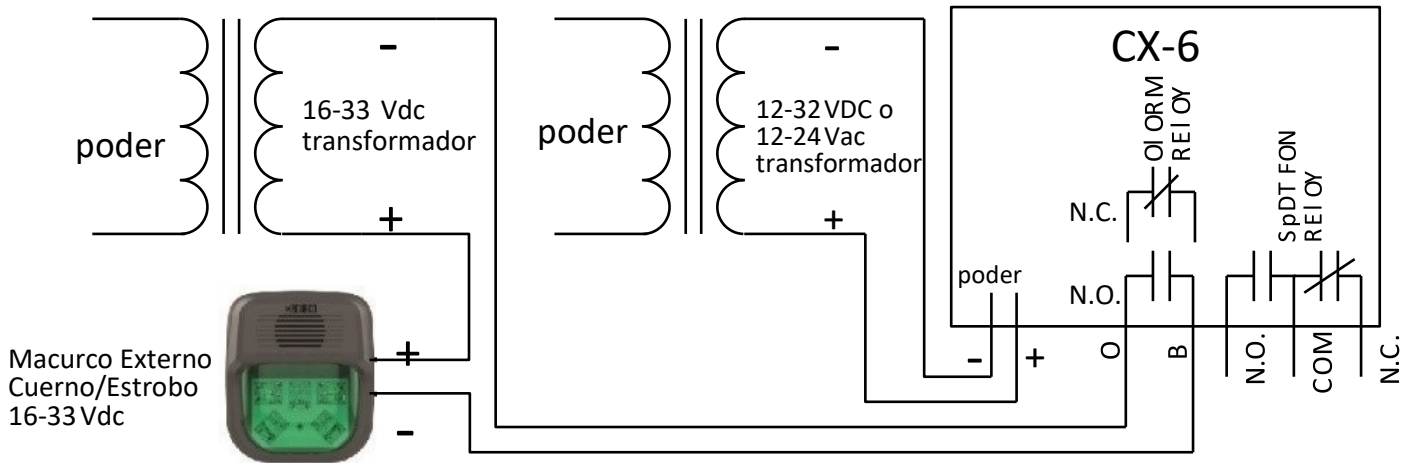


Figura 3–9 6-Series Horn &Strobe Combo Cableado

El número de modelo de Macurco External Horn/Strobe es HS-X, donde X representa el color de la lente, R para la cubierta de la lente roja, G para la cubierta de la lente verde, B para la cubierta de la lente azul, A para la cubierta de la lente ámbar, C para la cubierta clara de la lente. La presión de sonido para el modelo Horn / Strobe es de al menos 85dB a 10 pies.



### 3.2.2 Voltaje de línea de la serie 12

1. El CX-12 se monta en una caja eléctrica cuadrada de 4" (o 4x4) suministrada por el contratista. No monte el CX-12 dentro de otra caja, a menos que tenga un buen flujo de aire a través de él.
2. Hay dos terminales para la conexión de alimentación de red etiquetados como L (línea) y N (neutro). Las conexiones a la red eléctrica deben realizarse de acuerdo con los códigos eléctricos nacionales y locales. Sólo el personal cualificado debe conectar mains poder a cualquier dispositivo.
3. Hay dos terminales para los contactos del relé de alarma seca.
4. El relé de alarma se puede configurar para que se abra normalmente (predeterminado) (N.O.) o normalmente se cierre (N.C.) y se activará:
  - a. si la concentración de gas CO o NO<sub>2</sub> excede el punto de ajuste de alarma. Se desactivará una vez que la concentración de gas caiga por debajo del punto de ajuste de alarma. Tenga en cuenta que la configuración de "ArS.C" y "ArS.n" en "diS" hará que el relé de alarma no se enganche.
  - b. durante una prueba de encendido "PUt".
  - c. cuando una condición de problema está presente.
5. Configuración "CON"
6. El relé del ventilador se puede configurar para el enganche o el no enganche (valor predeterminado) cuando se activa (cuando la concentración de gas supera el punto de ajuste del relé del ventilador). Una vez enganchado, la alimentación tendrá que ser interrumpida o el botón "PRUEBA" presionado para desenganchar la condición del relé.
7. El relé del ventilador se activará si se excede la concentración de monóxido de carbono o dióxido de nitrógeno del ajuste del ventilador durante más tiempo que el tiempo de retardo del relé del ventilador. A menos que esté configurado para el enganche, el relé del ventilador se desconectará una vez que se hayan cumplido ambas condiciones:
  - Las concentraciones de monóxido de carbono y dióxido de nitrógeno han caído por debajo de la configuración del ventilador
  - Se ha superado el tiempo de ejecución del relé del ventiladorTenga en cuenta que la configuración de "desactivar" del ventilador hará que el relé del ventilador no se enganche. El relé del ventilador entrará en la condición de falla de problema (si la Opción de configuración de ventilador de problemas está establecida en "ON") y se desconectará una vez que se borre la condición de falla de problema.
8. El bucle de corriente es de 4 mA en aire limpio y 4-20 mA para 0-200ppm DE CO y 4-20 mA para 0-20ppm NO<sub>2</sub>. Hay dos terminales y la polaridad está marcada en el conector.

**NOTA:** Se utilizará un cable de 22 a 12 GTE. El alambre utilizado debe cumplir con el rango de temperatura del detector, es decir, de 0 ° F a 125 ° F (-18°C a 52°C).

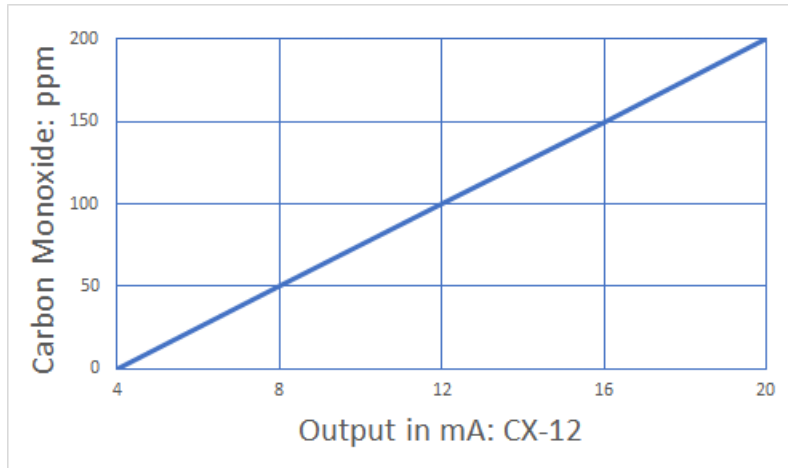


Figura 3–10 Diagrama de salida de CO de 12 series de 4-20 mA

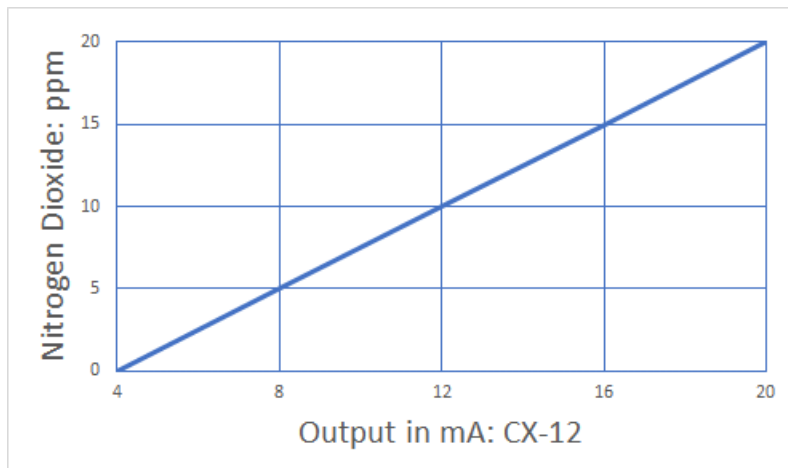


Figura 3–11 Diagrama de salida de NO2 de la serie 12 4-20 mA

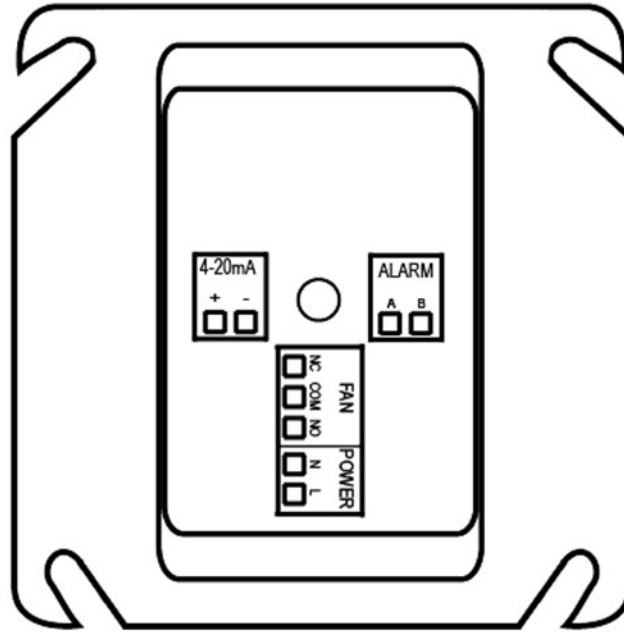
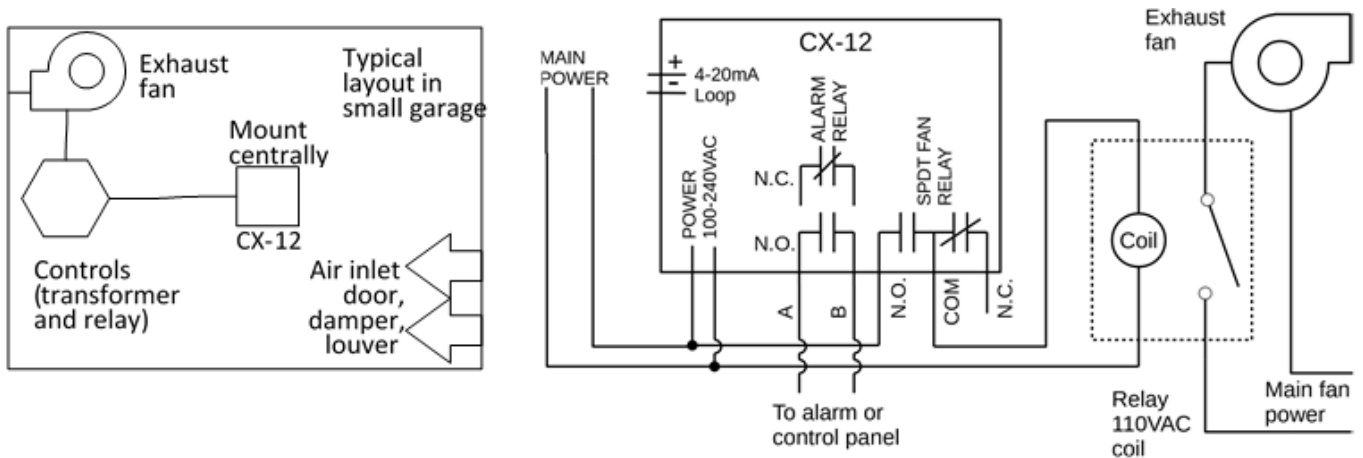
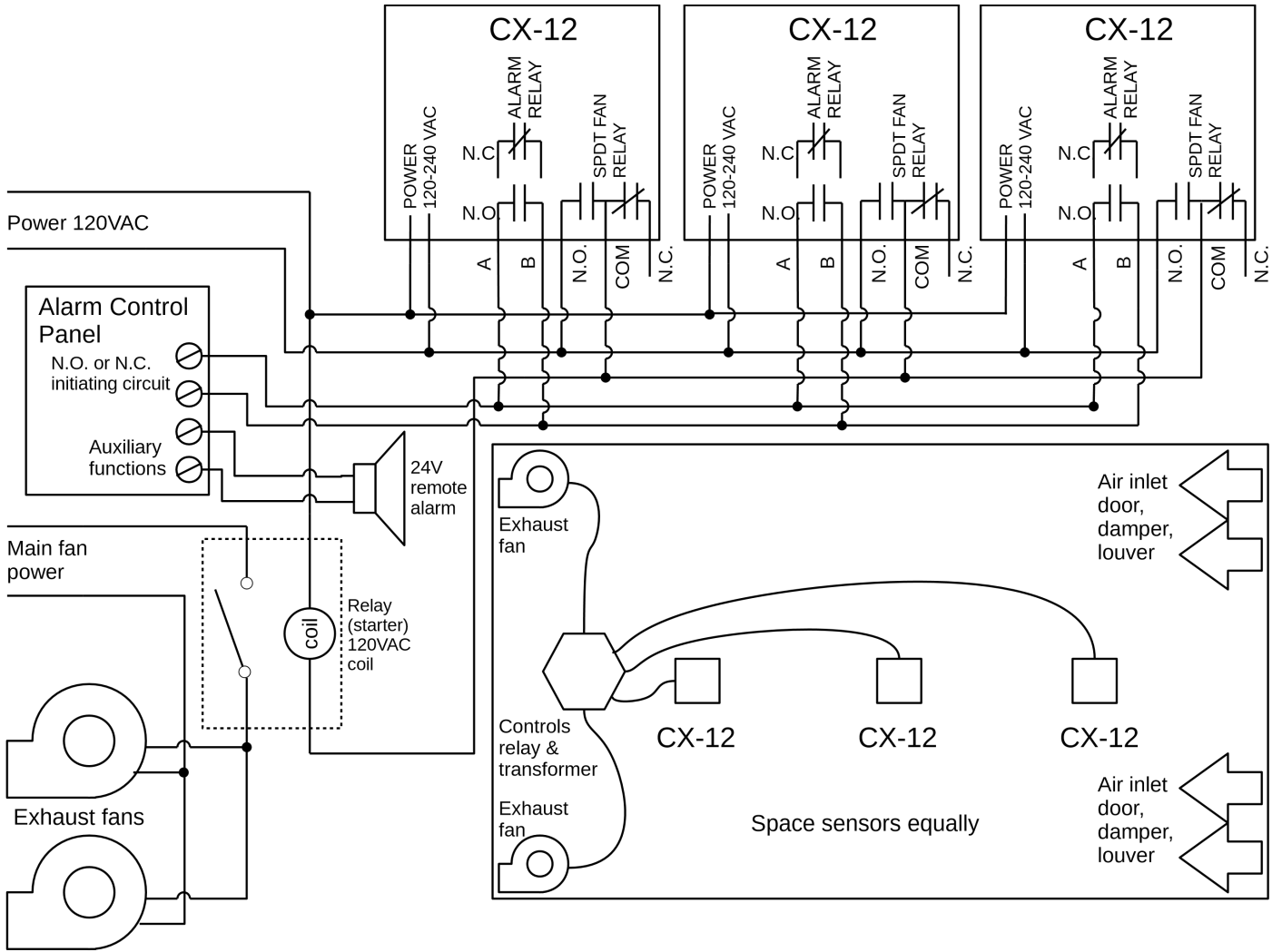


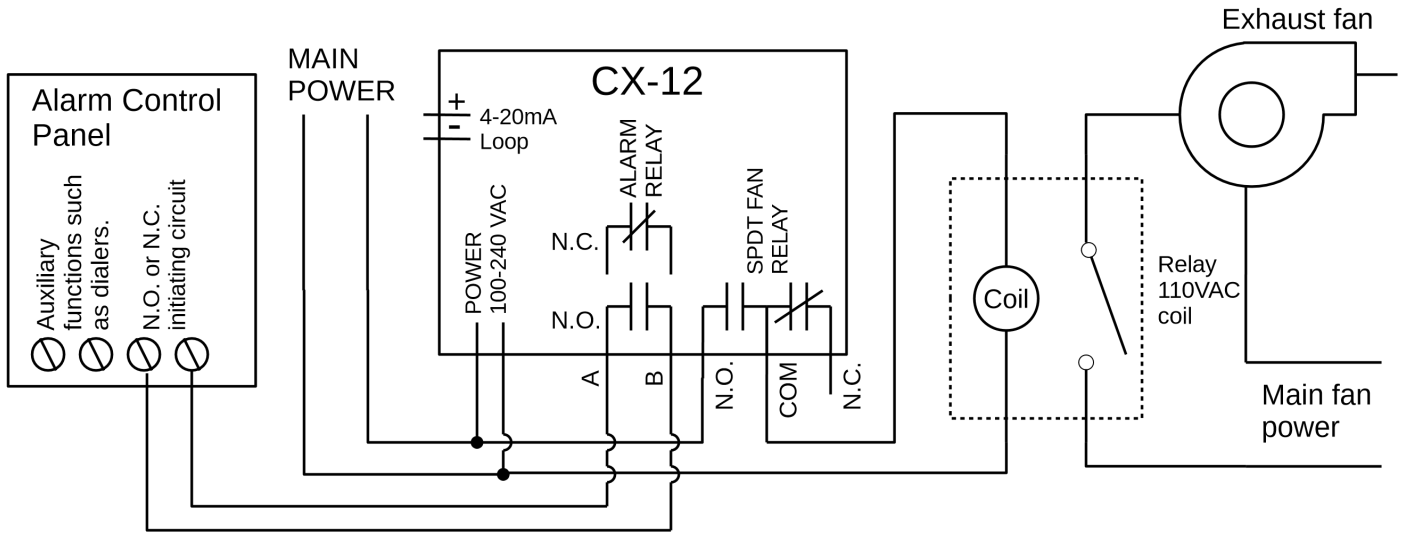
Figura 3–12 Vista trasera de la serie 12



Cuadro 3–13 Instalación típica de la serie 12



Cuadro 3-14 Diagrama del dispositivo múltiple de la 12-Series



Cuadro 3-15 Panel de control de alarma de la serie 12

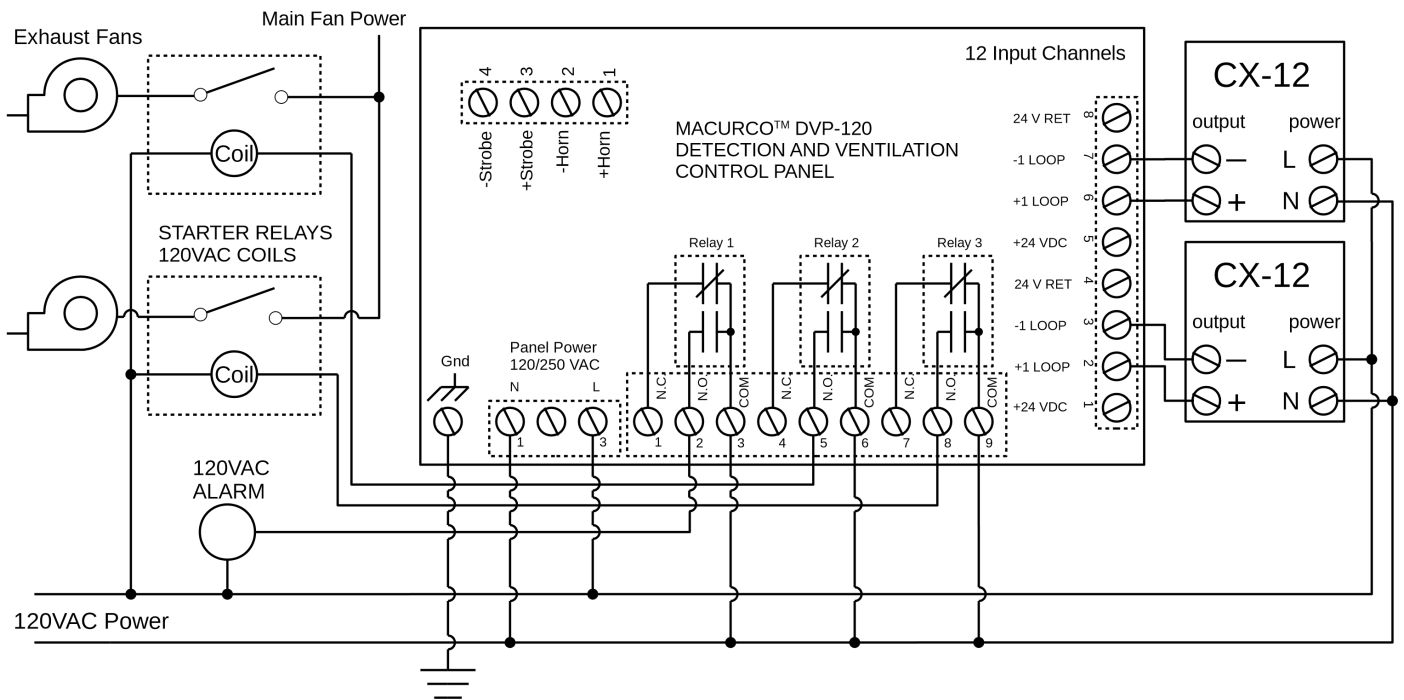
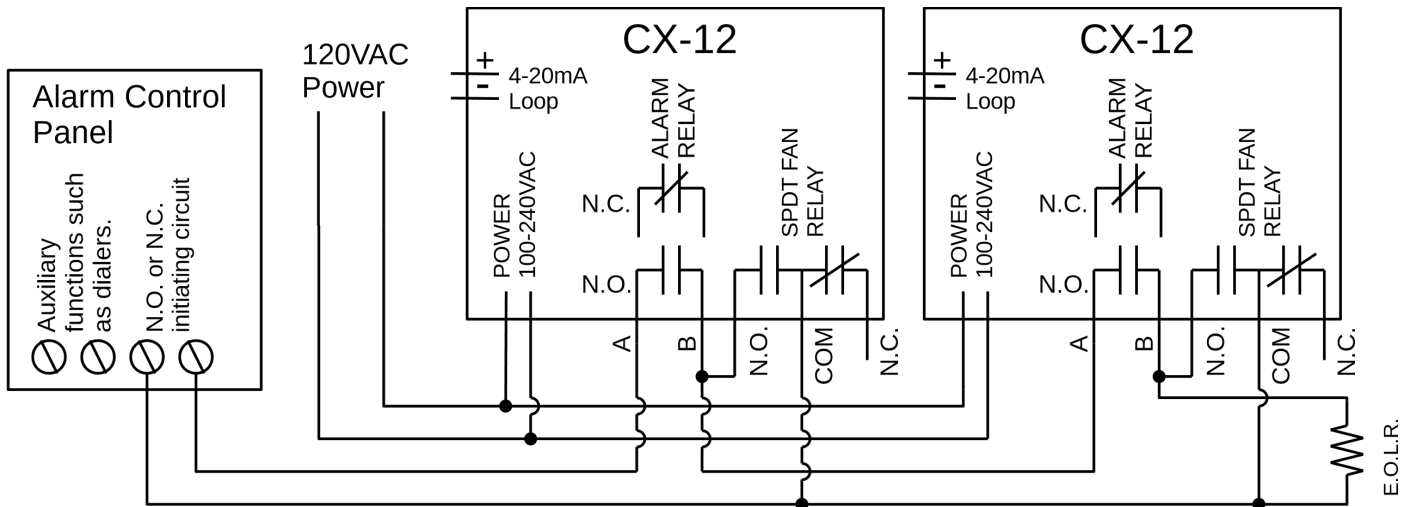


Figura 3-Panel de control16 de la serie 12 DVP-120



Cuadro 3-17 Panel de alarma alternativo de la serie 12

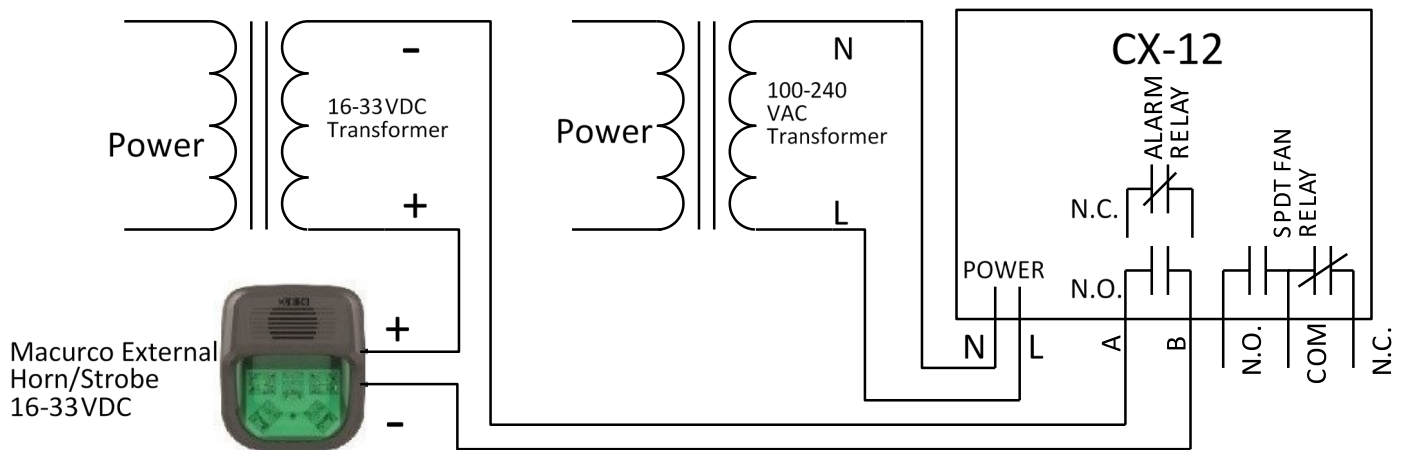


Figura 3-18 12-Series Horn & Strobe Combo Cableado

El número de modelo de Macurco External Horn/Strobe es HS-X, donde X representa el color de la lente, R para la cubierta de la lente roja, G para la cubierta de la lente verde, B para la cubierta de la lente azul, A para la cubierta de la lente ámbar, C para la cubierta clara de la lente. La presión de sonido para el modelo Horn / Strobe es de al menos 85dB a 10 pies.

### 3.3 Conexión de terminal

#### 3.3.1 Serie 6 de baja tensión

A excepción de la toma a tierra de seguridad, todo el cableado de campo se completa a través de conectores modulares (proporcionados). Después del cableado, simplemente conecte los conectores modulares a los conectores correspondientes en la parte posterior del detector.

**NOTA:** Se utilizará un cable de 22 a 12 GTE. El alambre utilizado debe cumplir con el rango de temperatura del detector, es decir, de 0 ° F a 125 ° F (-18°C a 52°C).

##### 3.3.1.1 Conexión de alimentación de la red eléctrica

Conecte el CX-6 a la fuente de alimentación de clase 2 Isolamente. Se sugiere utilizar un transformador separado para alimentar la unidad o unidades debido a posibles interferencias de otros dispositivos en la misma fuente de alimentación. Conecte el CX-6 a los cables de control con enchufes de terminal. Al realizar conexiones, asegúrese de que la alimentación esté apagada. Hay dos terminales para alimentación: 12 a 24 VCA o 12 a 32 VCC, sin preferencia de polaridad

Asegúrese de que el cable no se pueda extraer fácilmente del conector. Enchufe la conexión modular en la conexión ventilador/alimentación y asegúrese de que se enganche correctamente al cabezal.

##### 3.3.1.2 Conexión de relé de ventilador

Todos los terminales de relé de ventilador SPDT están disponibles en el conector modular ventilador/alimentación. Cada terminal de relé de ventilador normalmente abierto, común y normalmente cerrado (NO, COM y NC) puede acomodar un tamaño de cable de 12 a 22 AWG. Para instalar el cableado de los relés, desconecte el conector del cabezal. Despoje el aislamiento de cada cable hacia atrás aproximadamente 1/4 de pulgada (6,5 mm), inserte el cable desnudo en el terminal y apriete la abrazadera del tornillo. Asegúrese de que el cable no se pueda extraer fácilmente del conector. Enchufe la conexión modular en la conexión ventilador/alimentación y asegúrese de que se enganche correctamente al cabezal.

##### 3.3.1.3 Conexión de retransmisión de alarma

Las conexiones de alarma externas (A y B) están disponibles en el conector modular de alarma. No hay polaridad para estas conexiones. Para instalar el cableado de los contactos de alarma, desconecte el conector del cabezal del detector. Despoje el aislamiento de cada cable hacia atrás aproximadamente 1/4 de pulgada (6,5 mm), inserte el cable desnudo en el terminal y apriete la abrazadera del tornillo. Asegúrese de que el cable no se pueda extraer fácilmente del conector. Cuando los cables estén conectados, asiente el conector modular en el cabezal asegurándose de que el pestillo se enganche.

##### 3.3.1.4 Conexión de señal de 4-20 mA

Las conexiones de señal de 4-20mA positivas y negativas (+ y -) están disponibles en el conector modular de 4-20mA, un conector de 2 posiciones. Para instalar el cableado para los contactos de 4-20 mA, desconecte el conector del cabezal del detector. Despoje el aislamiento de cada cable hacia atrás aproximadamente 1/4 de pulgada (6,5 mm), inserte el cable desnudo en el terminal y apriete la abrazadera del tornillo. Asegúrese de que el cable no se pueda extraer fácilmente del conector. Cuando los cables estén conectados, asiente el conector modular en el cabezal asegurándose de que el pestillo se enganche.

### 3.3.2 Voltaje de línea de la serie 12

Con la excepción de la tierra de seguridad, todo el cableado de campo se completa a través de conectores modulares (proporcionados). Después del cableado, simplemente conecte los conectores modulares a los conectores correspondientes en la parte posterior del detector.

**NOTA:** Se utilizará un cable de 22 a 12 GTE. El alambre utilizado debe cumplir con el rango de temperatura del detector, es decir, de 0 ° F a 125 ° F (-18°C a 52°C).

#### 3.3.2.1 Conexión de alimentación

Las conexiones a la red eléctrica deben realizarse de acuerdo con los códigos eléctricos nacionales y locales. Solo el personal calificado debe conectar la alimentación de la red eléctrica a cualquier dispositivo. Macurco recomienda un tamaño mínimo de cable de AWG18 y el aislante de alambre debe estar clasificado para un servicio de 140 ° F (60 ° C). El conector modular aceptará cables de 12 a 22 AWG.

El cable de tierra de seguridad debe estar sujeto al tornillo de tierra de la caja eléctrica metálica. Apriete el tornillo y asegúrese de que el cable esté ajustado. Asegúrese de que el cable no se pueda sacar de debajo del tornillo.

Los cables de línea (L) y neutro (N) deben desmontarse 1/4 de pulgada (6,5 mm), insertar el cable en las posiciones de alambre "L" y "N" del conector modular ventilador/alimentación y apretar la abrazadera del tornillo. Asegúrese de que el cable no se pueda extraer fácilmente del conector. Enchufe la conexión modular en la conexión ventilador/alimentación y asegúrese de que se enganche correctamente al cabezal.

#### 3.3.2.2 Conexión de relé de ventilador

Todos los terminales de relé de ventilador SPDT están disponibles en el conector modular ventilador/alimentación. Cada terminal de relé de ventilador normalmente abierto, común y normalmente cerrado (NO, COM y NC) puede acomodar un tamaño de cable de 12 a 22 AWG. Para instalar el cableado de los relés, desconecte el conector del cabezal. Despoje el aislamiento de cada cable hacia atrás aproximadamente 1/4 de pulgada (6,5 mm), inserte el cable desnudo en el terminal y apriete la abrazadera del tornillo. Asegúrese de que el cable no se pueda extraer fácilmente del conector. Enchufe la conexión modular en la conexión ventilador/alimentación y asegúrese de que se enganche correctamente al cabezal.

#### 3.3.2.3 Conexión de retransmisión de alarma

Las conexiones de alarma externas (A y B) están disponibles en el conector modular de alarma. No hay polaridad para estas conexiones. Para instalar el cableado de los contactos de alarma, desconecte el conector del cabezal del detector. Despoje el aislamiento de cada cable hacia atrás aproximadamente 1/4 de pulgada (6,5 mm), inserte el cable desnudo en el terminal y apriete la abrazadera del tornillo. Asegúrese de que el cable no se pueda extraer fácilmente del conector. Cuando los cables estén conectados, asiente el conector modular en el cabezal asegurándose de que el pestillo se enganche.

#### 3.3.2.4 Conexión de señal de 4-20 mA

Las conexiones de señal de 4-20mA positivas y negativas (+ y -) están disponibles en el conector modular de 4-20mA, un conector de 2 posiciones. Para instalar el cableado para los contactos de 4-20 mA, desconecte el conector del cabezal del detector. Despoje el aislamiento de cada cable hacia atrás aproximadamente 1/4 de pulgada (6,5 mm),



inserte el cable desnudo en el terminal y apriete la abrazadera del tornillo. Asegúrese de que el cable no se pueda extraer fácilmente del conector. Cuando los cables estén conectados, asiente el conector modular en el cabezal asegurándose de que el pestillo se enganche.

## 4 Operaciones

### 4.1 prender

El CX-xx pasa por un ciclo interno de autodiagnóstica durante el primer minuto que se alimenta. La unidad ejecutará el ciclo de prueba cada vez que se caiga y se vuelva a aplicar la energía (es decir, apagón).

Durante el ciclo de auto-prueba, la unidad:

- Muestre el número de versión del firmware y, a continuación, cuente hacia abajo de 60 a 0 (si la configuración de la pantalla es "Activado").
- El relé de alarma se activará durante 10 segundos y el relé del ventilador durante 60 segundos durante el ciclo de encendido (si PUt está encendido).
- La luz indicadora (LED) parpadeará en verde durante el ciclo de autodiagnóstica.
- 4-20mA aumentará hasta 16mA durante el calentamiento (si 420 está encendido y PUt está encendido).
- Al final del ciclo de 1 minuto, la unidad tomará su primera muestra del aire y la luz indicadora se volverá verde sólida.

### 4.2 Pantalla activada

Con la configuración de la pantalla ("dSP") activada, el detector funcionará de la siguiente manera:

**Aire limpio** – El CX-xx parpadeará entre la concentración actual de CO ppm y la concentración actual de NO<sub>2</sub> ppm. La lectura de CO comenzará con una "C" y la lectura de NO<sub>2</sub> comenzará con una "n".

**Fan Relay Level** – Cuando la concentración de CO o NO<sub>2</sub> alcanza el ajuste de Fan Relay y ha transcurrido el período de Fan Run Delay "Frd", la pantalla parpadeará entre "FAN" y la concentración actual de gases. La secuencia de visualización cuando se activa el Fan Relay es: "Fan", CO ("CXXX") lectura, NO<sub>2</sub> lectura ("nY.Y").

**Nivel de relé de alarma : cuando la concentración** de CO o NO<sub>2</sub> alcanza la configuración de relé de alarma, la pantalla parpadeará entre "ALr" y la concentración actual de gases. La secuencia de visualización en la que se activa el Relé de Alarma es: "ALr", CO Reading ("CXXX"), NO<sub>2</sub> reading ("nY.Y"). El zumbador sonará indicando "Alarma" si el zumbador está encendido.

**Problema** : cuando el dispositivo está en un estado de problema, la pantalla mostrará el código de error "t" (t0 01, por ejemplo) y se activará el relé de alarma. Si la configuración del ventilador de problemas está activada, el relé de ventilador activará. Consulte los 5.1.2 Códigos de problemas 4.5.14 Seleccionar configuración del ventilador de problemas – "tFS"

NOTA: Los estados problemáticos relacionados con los sensores CO y NO<sub>2</sub> se representan mediante diferentes códigos de error "t". Por lo tanto, si existe un error n s para el sensor CO o NO<sub>2</sub> solamente, la pantalla alternará entre el código de problema para el sensor en el estado de problema y la lectura de gas para el sensor en el estado normal.

**Vencimiento de calibración** : cuando la funcionalidad período de calibración está habilitada y el detector está dentro de 1 mes del período de calibración, se mostrará el mensaje de vencimiento de calibración. Calibration Due se indica con "CdUE" (para el sensor de CO) y "ndUE" (para el sensor de NO<sub>2</sub>). Cuando tanto el sensor de CO como el de NO<sub>2</sub> están en Calibración Due, la secuencia de visualización será "CdUE", lectura de CO, "ndUE", lectura de NO<sub>2</sub>.

La calibración debida se resuelve solo con una calibración de campo exitosa.

NOTA: Si se activa un ventilador o un relé de alarma durante la calibración, se añadirá 'Ventilador' o 'ALr' al final de la secuencia de visualización para la calibración debida.

### 4.3 Pantalla desactivada

Con la configuración de la pantalla ("dSP") desactivada, el detector funcionará de la siguiente manera:

**Aire limpio** : la pantalla no muestra la concentración de CO o NO<sub>2</sub>. Solo la luz indicadora de encendido estará encendida.

**Nivel de relé del ventilador** : cuando la concentración de CO o NO<sub>2</sub> alcanza la configuración del relé del ventilador y ha transcurrido el período de retraso de ejecución del ventilador "Frd", la pantalla mostrará continuamente "FAn".

**Nivel de relé de alarma** : la pantalla no muestra la concentración de CO o NO<sub>2</sub>, pero mostrará "ALr" cuando se active el relé de alarma. El zumbador sonará indicando "Alarma" si el zumbador está encendido.

**Problema**: cuando el dispositivo está en un estado de problema, la pantalla mostrará el código de error "t" (t0 01, por ejemplo) y se activará el relé de alarma. Si la configuración del ventilador de problemas está activada, el relé del ventilador cambiará la activación del relé. Consulte la Sección 5.1.2 Códigos de problemas 4.5.14 Seleccione la configuración del ventilador de problemas – "tFS".

**Vencimiento de calibración**: cuando la funcionalidad período de calibración está habilitada y el detector está dentro de 1 mes del período de calibración, se mostrará el mensaje de vencimiento de calibración. Calibration Due se indica con "CdUE" (para el sensor de CO) y "ndUE" (para el sensor de NO<sub>2</sub>). Cuando tanto el sensor de CO como el de NO<sub>2</sub> están en Calibración Due, la secuencia de visualización será "CdUE", "ndUE".

La calibración debida se resuelve solo con una calibración de campo exitosa.

NOTA: Si se activa un ventilador o un relé de alarma durante la calibración, se añadirá 'Fan' o 'ALr' al final de la secuencia de visualización.

### 4.4 Lazo 4-20mA

En la oda High M "High", la salida corresponderá a la salida más alta de los dos sensores. Por ejemplo, una lectura de CO de 50ppm corresponde a una salida de 8mA y una lectura de NO<sub>2</sub> de 10ppm corresponde a una salida de 12mA. La salida en modo alto será de 12mA.

**NOTA: El modo alto** sólo debe utilizarse cuando el detector se utiliza como una unidad independiente. El modo dual **debe** utilizarse cuando el detector está conectado a un panel de control DVP de Macurco.

En modo dual "dUAL", la corriente fluctúa entre diferentes valores cuando se mide utilizando unmetro. Representará las lecturas de CO y NO<sub>2</sub> simultáneamente mediante el uso de una señal que es legible por un panel DVP de Macurco.

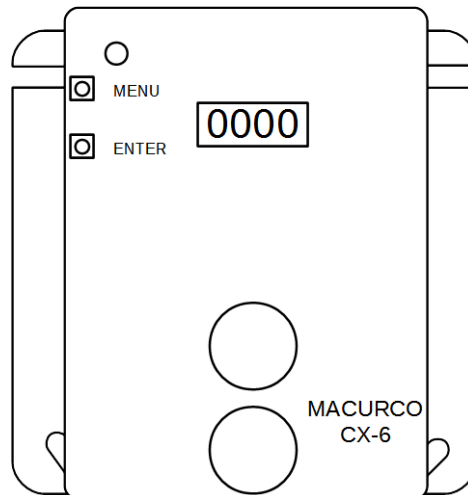
**Aire limpio** – Con la función de 4-20 mA activada en modo "High", y la concentración actual de gases en "0" (cero), el bucle de 4-20mA emitirá 4 mA.

**Lectura de gas** – Con la función de 4-20 mA activada en modo "High", la salida leerá entre 4 mA y 20 mA dependiendo de la concentración actual de gases.

**Problema** : con la función de 4-20 mA activada en el modo "High" y la configuración del ventilador de problemas habilitada, el bucle de 4-20 mA dará como resultado 1 mA o 24 mA dependiendo de la condición de problema. Consulte la Sección 5.1 Diagnósticos a bordo

#### 4.5 Configuración "CON"

Para cambiar la configuración, desmonte el tornillo Philips de la parte delantera del CX-xx. Tire de la cubierta delantera de la unidad. Busque los botones MENU y ENTRAR en la parte superior izquierda del tablero.



Cuadro 4-1 - Vista del tablero

##### 4.5.1 Predeterminado: configuración de fábrica

El CX-xx viene pre-programado con la siguiente configuración predeterminada:

Descripción de la configuración	Monitor	Configuración predeterminada
Prueba de encendido	poner	en
Monitor	Dsp	en
zumbador	Buz	en
Configuración del relé de alarma CO	ArS.C	200
Configuración de relé de alarma NO <sub>2</sub>	ArS.n	5
Configuración del relé de alarma	arco	No
Configuración del relé del ventilador CO	FrS.C	35
Configuración del relé del ventilador NO <sub>2</sub>	FrS.n	2.5

Descripción de la configuración	Monitor	Configuración predeterminada
Retardo de relé del ventilador	Frd	3
Tiempo de ejecución mínimo de retransmisión de ventilador	Frr	0
Enganche del relé del ventilador	Frl	apagado
Configuración del ventilador de problemas	Tfs	apagado
4-20 mA	420	Bas
Modo 4-20 mA	420.n	dual
Período de calibración de CO	Cal. C	dis
NO <sub>2</sub> Período de calibración	CAL.n	dis

4.5.2 Seleccione la configuración predeterminada – "dEF".

4.5.2 Seleccione la configuración predeterminada – "dEF"

Las opciones disponibles son "SÍ", "nO".

**NOTA:** Este menú no se puede cambiar cuando el CX-xx está en calibración debido o calibración vencida. (Consulte Período de calibración – "CAL" para obtener información sobre la calibración debida y la calibración vencida.)

Para seleccionar la Configuración predeterminada (esto restablecerá el dispositivo a su configuración predeterminada), en modo normal:

1. Presione el botón **Siguiente** para llegar a "Con" o el menú Configuración.
2. Presione el botón **Entrar** para entrar en el menú Estafa.
3. La primera selección es la configuración "dEF" o predeterminada. Presione **Entrar**.
4. Si ya está en configuración predeterminada, se mostrará "SÍ" y no habrá ninguna acción disponible. Si aún no está en Configuración predeterminada, se mostrará "nO".
5. Presione **Siguiente** para cambiarlo a "SÍ" (la pantalla comenzará a parpadear).
6. Presione **Entrar** para confirmar el restablecimiento del dispositivo a su configuración predeterminada (la pantalla dejará de parpadear).
7. Presione **Entrar** una vez más para volver al menú de configuración.
8. Presione **Siguiente** hasta que se muestre "Fin".
9. Presione **Entrar** para volver al funcionamiento normal.

4.5.3 Seleccione la configuración de prueba de encendido – "PUt"

Las opciones disponibles son "On" (predeterminado), "OFF".

Para seleccionar la configuración de prueba de encendido, en modo normal:

1. Presione el botón **Siguiente** para llegar a "Con" o el menú Configuración.
2. Presione el botón **Entrar** para entrar en el menú Estafa.
3. Empuje **Siguiente** 1 vez para llegar a "PUt" o Configuración de prueba de encendido.
4. Presione **Entrar**. La pantalla mostrará la configuración actual.
5. Presione **Siguiente** para desplazarse por la configuración disponible (la pantalla comenzará a parpadear).
6. Presione **Entrar** para confirmar la nueva configuración (la pantalla dejará de parpadear).
7. Presione **Entrar** una vez más para volver al menú de configuración.

8. Presione **Siguiente** hasta que se muestre "Fin".
9. Presione **Entrar** para volver al funcionamiento normal.

#### 4.5.4 Seleccione la configuración de pantalla – "dSP"

Las opciones disponibles son "On" (predeterminado), "OFF".

Para seleccionar la Configuración de visualización, en modo normal:

1. Presione el botón **Siguiente** para llegar a "Con" o el menú Configuración.
2. Presione el botón **Entrar** para entrar en el menú Estafa.
3. Empuje **siguiente** 2 veces para conseguir al "dSP" o a la configuración de la visualización.
4. Presione **Entrar**. La pantalla mostrará la configuración actual.
5. Presione **Siguiente** para desplazarse por la configuración disponible (la pantalla comenzará a parpadear).
6. Presione **Entrar** para confirmar la nueva configuración (la pantalla dejará de parpadear).
7. Presione **Entrar** una vez más para volver al menú de configuración.
8. Presione **Siguiente** hasta que se muestre "Fin".
9. Presione **Entrar** para volver al funcionamiento normal.

#### 4.5.5 Seleccione la configuración del zumbador – "bUZ"

Las opciones disponibles son "On" (predeterminado), "OFF".

Para seleccionar la configuración del zumbador, en modo normal:

1. Presione el botón **Siguiente** para llegar a "Con" o el menú Configuración.
2. Presione el botón **Entrar** para entrar en el menú Estafa.
3. Empuje **Siguiente** 3 veces para llegar a "bUZ" o configuración de zumbador.
4. Presione **Entrar**. La pantalla mostrará la configuración actual.
5. Presione **Siguiente** para desplazarse por la configuración disponible (la pantalla comenzará a parpadear).
6. Presione **Entrar** para confirmar la nueva configuración (la pantalla dejará de parpadear).
7. Presione **Entrar** una vez más para volver al menú de configuración.
8. Presione **Siguiente** hasta que se muestre "Fin".
9. Presione **Entrar** para volver al funcionamiento normal.

#### 4.5.6 Seleccione Configuración de relé de alarma para CO – "ArS. C"

Las opciones disponibles son "diS", 50, 100, 150, 200 (predeterminado).

Para seleccionar la configuración del relé de alarma para CO, en modo normal:

1. Presione el botón **Siguiente** para llegar a "Con" o el menú Configuración.
2. Presione el botón **Entrar** para entrar en el menú Estafa.
3. Empuje **Siguiente** 4 veces para llegar a "ArS.C" o configuración de relé de alarma para CO.
4. Presione **Entrar**. La pantalla mostrará la configuración actual.
5. Presione **Siguiente** para desplazarse por la configuración disponible (la pantalla comenzará a parpadear).
6. Presione **Entrar** para confirmar la nueva configuración (la pantalla dejará de parpadear).
7. Presione **Entrar** una vez más para volver al menú de configuración.
8. Presione **Siguiente** hasta que se muestre "Fin".
9. Presione **Entrar** para volver al funcionamiento normal.

#### 4.5.7 Seleccione la configuración del relé de alarma para NO<sub>2</sub> – "ArS.n"

Las opciones disponibles son "diS", 1.0, 2.0, 3.0, 4.0, 5.0 (predeterminado), 6.0, 7.0, 8.0, 9.0, 10.0, 11.0, 12.0, 13.0, 14.0, 15.0, 16.0, 17.0, 180.0, 19.0, 20.0.

Para seleccionar la configuración de relé de alarma para NO<sub>2</sub>, en modo normal:

1. Presione el botón **Siguiente** para llegar a "Con" o el menú Configuración.
2. Presione el botón **Entrar** para entrar en el menú Estafa.
3. Empuje **siguiente** 5 veces para llegar a "ArS.C" o configuración de relé de alarma para NO<sub>2</sub>.
4. Presione **Entrar**. La pantalla mostrará la configuración actual.
5. Presione **Siguiente** para desplazarse por la configuración disponible (la pantalla comenzará a parpadear).
6. Presione **Entrar** para confirmar la nueva configuración (la pantalla dejará de parpadear).
7. Presione **Entrar** una vez más para volver al menú de configuración.
8. Presione **Siguiente** hasta que se muestre "Fin".
9. Presione **Entrar** para volver al funcionamiento normal.

#### 4.5.8 Seleccione configuración de relé de alarma – "Arco"

Las opciones disponibles son "nO" (predeterminado), "nC".

Para seleccionar la configuración del relé de alarma, en modo normal:

1. Presione el botón **Siguiente** para llegar a "Con" o el menú Configuración.
2. Presione el botón **Entrar** para entrar en el menú Estafa.
3. Empuje **Siguiente** 6 veces para llegar a "Arc" o Configuración de relé de alarma.
4. Presione **Entrar**. La pantalla mostrará la configuración actual.
5. Presione **Siguiente** para desplazarse por la configuración disponible (la pantalla comenzará a parpadear).
6. Presione **Entrar** para confirmar la nueva configuración (la pantalla dejará de parpadear).
7. Presione **Entrar** una vez más para volver al menú de configuración.
8. Presione **Siguiente** hasta que se muestre "Fin".
9. Presione **Entrar** para volver al funcionamiento normal.

#### 4.5.9 Seleccione la configuración del relé del ventilador para CO – "FrS.C"

Las opciones disponibles son "diS", 15, 25, 35 (por defecto), 50, 100.

Para seleccionar la configuración del relé del ventilador para CO, en modo normal:

1. Presione el botón **Siguiente** para llegar a "Con" o el menú Configuración.
2. Presione el botón **Entrar** para entrar en el menú Estafa.
3. Empuje **Next** 7 veces para llegar a "FrS.C" o configuración de relé de ventilador para CO.
4. Presione **Entrar**. La pantalla mostrará la configuración actual.
5. Presione **Siguiente** para desplazarse por la configuración disponible (la pantalla comenzará a parpadear).
6. Presione **Entrar** para confirmar la nueva configuración (la pantalla dejará de parpadear).
7. Presione **Entrar** una vez más para volver al menú de configuración.
8. Presione **Siguiente** hasta que se muestre "Fin".
9. Presione **Entrar** para volver al funcionamiento normal.

4.5.10 Seleccione la configuración del relé del ventilador para NO<sub>2</sub> – "FrS.n"

Las opciones disponibles son "diS", 0.5, 0.7, 1.0, 1.2, 1.5, 1.7, 2.0, 2.2, 2.5 (predeterminado), 2.7, 3.0, 3.2, 3.5, 3.7, 4.0, 4.2, 4.5, 4.7, 5.0.

Para seleccionar la configuración de relé del ventilador para NO<sub>2</sub>, en modo normal:

1. Presione el botón **Siguiente** para llegar a "Con" o el menú Configuración.
2. Presione el botón **Entrar** para entrar en el menú Estafa.
3. Empuje **Siguiente** 8 veces para llegar a "FrS.n" o configuración de relé de ventilador para NO<sub>2</sub>.
4. Presione **Entrar**. La pantalla mostrará la configuración actual.
5. Presione **Siguiente** para desplazarse por la configuración disponible (la pantalla comenzará a parpadear).
6. Presione **Entrar** para confirmar la nueva configuración (la pantalla dejará de parpadear).
7. Presione **Entrar** una vez más para volver al menú de configuración.
8. Presione **Siguiente** hasta que se muestre "Fin".
9. Presione **Entrar** para volver al funcionamiento normal.

4.5.11 Seleccione la configuración de retardo del relé del ventilador – "Frd"

Las opciones disponibles son 0, 1, 3 (predeterminado), 5, 10.

Para seleccionar la configuración de retardo del relé del ventilador, en modo normal:

1. Presione el botón **Siguiente** para llegar a "Con" o el menú Configuración.
2. Presione el botón **Entrar** para entrar en el menú Estafa.
3. Empuje **Siguiente** 9 veces para llegar a "Frd" o Ajuste de retardo del relé del ventilador.
4. Presione **Entrar**. La pantalla mostrará la configuración actual.
5. Presione **Siguiente** para desplazarse por la configuración disponible (la pantalla comenzará a parpadear).
6. Presione **Entrar** para confirmar la nueva configuración (la pantalla dejará de parpadear).
7. Presione **Entrar** una vez más para volver al menú de configuración.
8. Presione **Siguiente** hasta que se muestre "Fin".
9. Presione **Entrar** para volver al funcionamiento normal.

4.5.12 Seleccione la configuración de tiempo de ejecución mínima de relé de ventilador – "Frr"

Las opciones disponibles son 0 (predeterminado), 3, 5, 10, 15.

Para seleccionar la configuración de tiempo de ejecución mínimo de retransmisión de ventilador, en modo normal:

1. Presione el botón **Siguiente** para llegar a "Con" o el menú Configuración.
2. Presione el botón **Entrar** para entrar en el menú Estafa.
3. Empuje **Siguiente** 10 veces para llegar a "Frr" o Configuración de tiempo de ejecución mínima de retransmisión de ventilador.
4. Presione **Entrar**. La pantalla mostrará la configuración actual.
5. Presione **Siguiente** para desplazarse por la configuración disponible (la pantalla comenzará a parpadear).
6. Presione **Entrar** para confirmar la nueva configuración (la pantalla dejará de parpadear).
7. Presione **Entrar** una vez más para volver al menú de configuración.
8. Presione **Siguiente** hasta que se muestre "Fin".
9. Presione **Entrar** para volver al funcionamiento normal.

4.5.13 Seleccione la configuración de enganche del relé del ventilador – "FrL"  
Las opciones disponibles son "On", "OFF" (predeterminado).

Para seleccionar la configuración de enganche del relé del ventilador, en modo normal:

1. Presione el botón **Siguiente** para llegar a "Con" o el menú Configuración.
2. Presione el botón **Entrar** para entrar en el menú Estafa.
3. Empuje **Siguiente** 11 veces para llegar a "FrL" o Ajuste de enganche del relé del ventilador.
4. Presione **Entrar**. La pantalla mostrará la configuración actual.
5. Presione **Siguiente** para desplazarse por la configuración disponible (la pantalla comenzará a parpadear).
6. Presione **Entrar** para confirmar la nueva configuración (la pantalla dejará de parpadear).
7. Presione **Entrar** una vez más para volver al menú de configuración.
8. Presione **Siguiente** hasta que se muestre "Fin".
9. Presione **Entrar** para volver al funcionamiento normal.

4.5.14 Seleccione la configuración del ventilador de problemas – "tFS"  
Las opciones disponibles son "On", "OFF" (predeterminado).

Para seleccionar la configuración del ventilador de problemas, en modo normal:

1. Presione el botón **Siguiente** para llegar a "Con" o el menú Configuración.
2. Presione el botón **Entrar** para entrar en el menú Estafa.
3. Presione **Siguiente** 12 veces para llegar a "tFS" o Configuración de ventilador de problemas.
4. Presione **Entrar**. La pantalla mostrará la configuración actual.
5. Presione **Siguiente** para desplazarse por la configuración disponible (la pantalla comenzará a parpadear).
6. Presione **Entrar** para confirmar la nueva configuración (la pantalla dejará de parpadear).
7. Presione **Entrar** una vez más para volver al menú de configuración.
8. Presione **Siguiente** hasta que se muestre "Fin".
9. Presione **Entrar** para volver al funcionamiento normal.



#### 4.5.15 Seleccione 4-20mA Salida Setting – "420"

Las opciones disponibles son "bAS" (predeterminado), "EnH", "OFF".

NOTA: Si se utiliza la función de período de calibración y el detector está conectado a un panel, la información del período de calibración se comunica al panel DVP de Macurco sólo cuando "420" se establece en "EnH". Consulte el panel DVP de Macurco para confirmar si la función de período de calibración es compatible con el panel. Si la función de período de calibración no es compatible con el panel DVP de Macurco, 'bAS' debe ser el ajuste de salida seleccionado.

Para seleccionar la configuración de salida de 4-20mA, en modo normal:

1. Presione el botón **Siguiente** para llegar a "Con" o el menú Configuración.
2. Presione el botón **Entrar** para entrar en el menú Estafa.
3. Empuje **siguiente** 13 veces para llegar a "420" o 4-20mA configuración de salida.
4. Presione **Entrar**. La pantalla mostrará la configuración actual.
5. Presione **Siguiente** para desplazarse por la configuración disponible (la pantalla comenzará a parpadear).
6. Presione **Entrar** para confirmar la nueva configuración (la pantalla dejará de parpadear).
7. Presione **Entrar** una vez más para volver al menú de configuración.
8. Presione **Siguiente** hasta que se muestre "Fin".
9. Presione **Entrar** para volver al funcionamiento normal.

#### 4.5.16 Seleccione el modo 4-20mA – "420.n"

Las opciones disponibles son "dUAL" (por defecto), "High".

**NOTA: Se debe utilizar el mododual** cuando el detector está conectado a un panel de control DVP de Macurco. El modo alto sólo debe utilizarse cuando el detector se utiliza como una unidad independiente.

Para seleccionar el modo 4-20mA, en modo normal:

1. Presione el botón **Siguiente** para llegar a "Con" o el menú Configuración.
2. Presione el botón **Entrar** para entrar en el menú Estafa.
3. Empuje **Siguiente** 14 veces para llegar al modo "420.n" o 4-20mA.
4. Presione **Entrar**. La pantalla mostrará la configuración actual.
5. Presione **Siguiente** para desplazarse por la configuración disponible (la pantalla comenzará a parpadear).
6. Presione **Entrar** para confirmar la nueva configuración (la pantalla dejará de parpadear).
7. Presione **Entrar** una vez más para volver al menú de configuración.
8. Presione **Siguiente** hasta que se muestre "Fin".

9. Presione **Entrar** para volver al funcionamiento normal.

#### 4.5.17 Seleccione Período de calibración para el sensor de CO – "CAL. C"

El valor seleccionado para Período de calibración es el número de meses. El CX-xx indica una "calibración debida" cuando es dentro de 1 mes del período de calibración, y una "calibración vencida" cuando el detector ha alcanzado o excedido el período de calibración. El período de calibración setting no se puede cambiar si el CX-xx está indicando "calibración debido" o "calibración vencida".

Las opciones disponibles son "diS" (predeterminado), 3, 6, 12, 24.

Para seleccionar el Período de calibración para el sensor co, en modo normal:

1. Presione el botón **Siguiente** para llegar a "Con" o el menú Configuración.
2. Presione el botón **Entrar** para entrar en el menú Estafa.
3. Empuje **Next** 15 veces para llegar a "CAL. C".
4. Presione **Entrar**. La pantalla mostrará la configuración actual.
5. Presione **Siguiente** para desplazarse por la configuración disponible (la pantalla comenzará a parpadear).
6. Presione **Entrar** para confirmar la nueva configuración (la pantalla dejará de parpadear).
7. Presione **Entrar** una vez más para volver al menú de configuración.
8. Presione **Siguiente** hasta que se muestre "Fin".
9. Presione **Entrar** para volver al funcionamiento normal.

#### 4.5.18 Seleccione el período de calibración para el sensor NO<sub>2</sub> – "CAL.n"

El valor seleccionado para Período de calibración es el número de meses. El CX-xx indica una "calibración debida" cuando es dentro de 1 mes del período de calibración, y una "calibración vencida" cuando el detector ha alcanzado o excedido el período de calibración. El ajuste período de calibración no se puede cambiar si el CX-xx está indicando "calibración debido" o "calibración vencida".

Las opciones disponibles son "diS" (predeterminado), 3, 6, 12, 24.

Para seleccionar el Período de calibración para el sensor NO<sub>2</sub>, en modo normal:

1. Presione el botón **Siguiente** para llegar a "Con" o el menú Configuración.
2. Presione el botón **Entrar** para entrar en el menú Estafa.
3. Empuje **Siguiente** 16 veces para llegar a "CAL. n".
4. Presione **Entrar**. La pantalla mostrará la configuración actual.
5. Presione **Siguiente** para desplazarse por la configuración disponible (la pantalla comenzará a parpadear).
6. Presione **Entrar** para confirmar la nueva configuración (la pantalla dejará de parpadear).
7. Presione **Entrar** una vez más para volver al menú de configuración.
8. Presione **Siguiente** hasta que se muestre "Fin".

9. Presione **Entrar** para volver al funcionamiento normal.

## 5 Solución de problemas

### 5.1 Diagnósticos a bordo

El CX-xx supervisa todas las funciones críticas de la unidad a través de diagnósticos de software que prueban y verifican continuamente las operaciones de la unidad. Si se encuentra un problema, la unidad cambiará a un modo a prueba de fallos/error o condición de problema.

En este modo de error, se activará el relé de alarma, el bucle de corriente de 4-20 mA irá a 24 mA, la unidad mostrará el código de error, la luz LED del indicador de estado verde parpadeará y el zumbador chirriará intermitentemente. El relé del ventilador también se activará si la opción de configuración del ventilador problemático se establece en "Activado". Esta es una precaución de seguridad.

Para borrar este modo, simplemente apague la alimentación de la unidad durante unos segundos o presione el botón ENTER/TEST (dentro de la unidad). Esto hará que la unidad reinicie el ciclo de autodiagnóstica de 1 minuto.

#### 5.1.1 Solución de problemas de 4-20 mA

NOTA: La salida de los terminales 4-20mA es constante sólo cuando el modo 4-20mA se establece en modo alto. En modo dual, se observará una salida fluctuante cuando se mida con unímetro.

- 0 mA es muy probablemente un problema de conexión
- 1 mA indica calibración vencida (si 4-20mA está configurado para 'EnH')
- 4-20 mA es el rango de lectura de gas normal (0-200 ppm CO, 0-20 ppm NO<sub>2</sub>)
- 24 mA indica una condición de problema

#### 5.1.2 Códigos de problemas

Si el detector encuentra un error, se muestra un código de problema. El código trouble se muestra como "tXXX" donde XXX es un código de problema único para cada sensor. Si un código de problema es mayor que 800, es para CO. If es menor que 800, es para NO<sub>2</sub>. La tabla following muestra el código de problemas para el sensor co y no<sub>2</sub> s.

Código de problemas de CO	NO <sub>2</sub> Código de problemas	descripción
t801	t001	Falta el sensor
t802	t002	Error de compensación de temperatura
t804	t004	Suma de comprobación EEPROM incorrecta
t810	t010	Mala EEPROM
t820	t020	Calibración incorrecta
t840	t040	Nunca calibrado de fábrica
t880	t080	Error al leer ADC
t900	t100	Sensor bajo rango
tA00	t200	Sensor caducado

tc00	t400	Calibración vencida
------	------	---------------------

Cuadro 5-1 – Tabla de código del problema

Cuando existecódigo de problema s para ambos sensoress al mismo tiempo, los dos códigos de problemas se mostrarán alternativamente.

Si existen varios códigos de error para el mismo sensor al mismo tiempo, el código mostrado será la suma de los códigos de error. Por ejemplo, la pantalla mostrará "t003" si t001 y t002 existen al mismo tiempo, "t821" si t820 y t801 existen al mismo tiempo.

Si la suma de un dígito (unos, decenas o cientos) es mayor que 9, mostrará la representación hexadecimal correspondiente de la suma. La tabla following muestra la representación hexadecimal para el números a partir del 10 al 15.

Número decimal	Representación hexadecimal
10	un
11	B
12	C
13	D
14	E
15	F

Figura 5-2 - Tabla de conversión hexadecimal

Por ejemplo, si t040 y t080 existen al mismo tiempo, entonces muestra "t0c0" porque  $8 + 4$  es igual a 12 y la representación hexadecimal de 12 es "c".

Tenga en cuenta que en tXXX el primer dígito después de 't' es 8 para el sensor de CO y 0 para el sensor de NO2. Los códigos de problemas t900, tA00 y tc00 son el resultado de agregar 1, 2 y 4 al primer dígito 8 utilizado para representar el sensor de CO. Por lo tanto, al sumar el código de problema para el sensor de CO, 8 no se agrega dos veces. Por ejemplo, si t820 y t810 existen al mismo tiempo, el código de error mostrado será t830. Del mismo modo, si tA00 y tc00 existen al mismo tiempo, el código de problema que se muestra es tE00.

**NOTA:** Si el modo de error se repite con frecuencia, compruebe si hay alimentación continua y voltaje adecuado. Si la alimentación no es el problema y una unidad tiene condiciones de error repetidas, es posible que deba devolverse a Macurco para el servicio, según estas Instrucciones de usuario. Si el modo de error indica "Sensor caducado", consulte la sección 6.1 Restablecimiento de la vida útil del sensor.

## 5.2 Venenos de sensores

Los sensores del detector están diseñados con extrema sensibilidad al medio ambiente. Como resultado, la función de detección puede deteriorarse si el detector está expuesto a contaminantes, un aerosol directo de aerosoles como pinturas, vapores de silicona, etc., o a una alta densidad de gases corrosivos (como sulfuro de hidrógeno, dióxido de azufre) durante un período prolongado.

## 5.3 Sensor caducado

El CX-xx tiene dos sensores electroquímicos reemplazables (un CO y un NO<sub>2</sub>). Cada sensor tiene una vida útil esperada de two años. Después de dos años, se activará la señal "Sensor caducado" indicando que uno o ambos sensores han llegado al final de su vida útil típica. La señal "Sensor caducado" provocará un código de error (tA00 para CO, t200 para NO<sub>2</sub>). Consulte la Sección 5.1.2 Códigos de problemas

La señal "Sensor expired" puede ser silenciada durante 48 horas pulsando el botón "ENTER/TEST" o bajando temporalmente la energía a la unidad. La señal "Sensor caducado" proporciona al usuario la oportunidad de probar y/o calibrar el sensor asegurando que todavía está funcionando dentro de parámetros aceptables aunque el sensor se esté acercando al final de su vida útil esperada.

La función de silencio seguirá estando disponible durante 29 días después de que el CX-xx inicie la señal inicial "Sensor caducado". Después de este período de 29 días, el CX-xx ya no se puede silenciar, y el sensor debe ser calibrado, y la vida útil del sensor se restablece, o el sensor reemplazado.

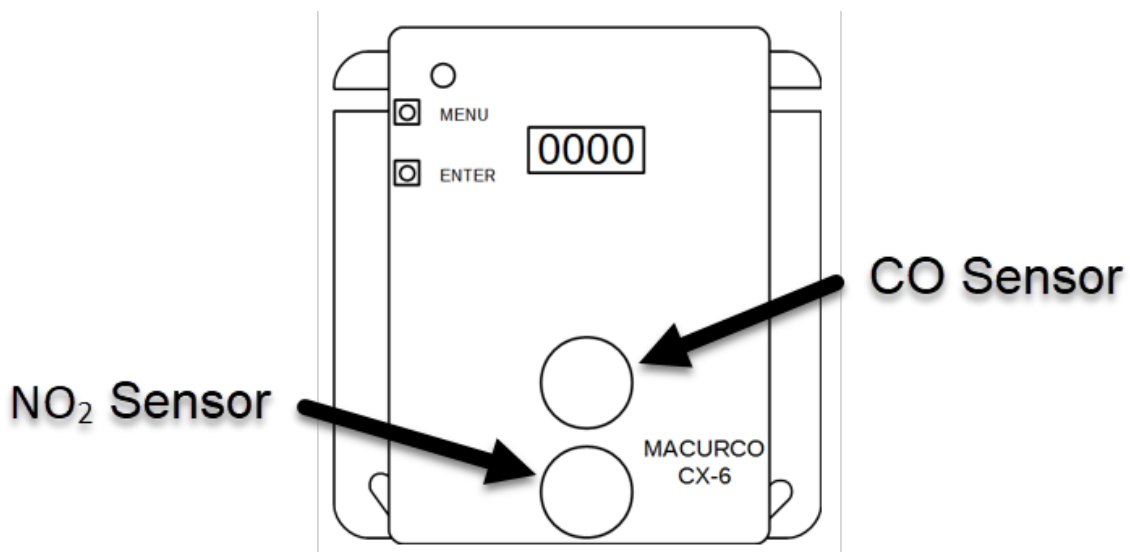


Figura 5-3 - Ubicación del sensor de reemplazo

## 6 mantenimiento

El CX-xx es de bajo mantenimiento. La unidad utiliza dos sensores electroquímicos que tienen una esperanza de vida de 2 años (en condiciones normales). El rendimiento del detector debe probarse regularmente mediante el uso de gas, como se detalla en las secciones De prueba de gas Pruebas de gas Procedimiento de calibración de campo

Todo el mantenimiento y reparación de los productos fabricados por Macurco se realizará en la planta de fabricación de Macurco correspondiente. Macurco no sanciona ninguna instalación de reparación de terceros.

### 6.1 Restablecimiento de la vida útil del sensor

Para restablecer la vida útil del sensor,

1. Desmonte el tornillo Philips de la parte delantera del CX-xx. Tire de la cubierta delantera de la unidad.
2. Desde el modo normal o de calentamiento, presione **Siguiente** 4 veces para llegar a "SEn" o modo sensor.
3. Pulse **Intro**. La pantalla leerá "rSt.C".
  - a. Para restablecer la vida útil del sensor de CO, pulse **Intro**.
  - b. Para restablecer la vida útil del sensor de NO<sub>2</sub>, pulse **Siguiente** una vez. La pantalla leerá "rSt.n". Press **Entrar**.
4. Si la vida útil del sensor ya se ha restablecido, se mostrará "don" hecho. Si aún no se ha restablecido, se mostrará "no". Pulse **Siguiente** para cambiarlo a "Sí" (parpadeante).
5. Pulse **Intro** para confirmar el cambio (sólido) y pulse **Intro** de nuevo para volver al menú "SEn".
6. Pulse **Siguiente** hasta que se muestre "Fin".
7. Pulse **Intro** para volver al funcionamiento normal. La vida útil del sensor se restablecerá durante 2 años.

**NOTA:** Una vez que se restablece la vida útil del sensor correspondiente, la unidad mostrará la calibración pendiente para el sensor correspondiente, lo que obligará al usuario a calibrar la unidad antes de su uso. Después de una calibración de campo exitosa, la calibración pendiente se resolverá, y el detector entrará en modo normal.

**NOTA:** No es necesario reemplazar el detector cuando un sensor ha caducado. Desde que muestra el sensor caducado, el usuario puede reemplazar el sensor en el detector, calibrar la unidad y comenzar a usarlo.

#### advertencia

No desensamblar la unidad ni intentar reparar o modificar ningún componente de este instrumento. Este instrumento no contiene piezas reparables por el usuario, y la sustitución de componentes puede afectar el rendimiento del producto.

#### cautela

Evite el uso de materiales de limpieza agresivos, abrasivos y otros disolventes orgánicos. Dichos materiales pueden rayar permanentemente las superficies y dañar la ventana de visualización, las etiquetas, el sensor o la carcasa del instrumento. Los terminales de alta tensión (100-240VAC) se encuentran dentro de este detector, lo que representa un peligro para los técnicos de servicio. Sólo los técnicos cualificados deben abrir la caja del detector y dar servicio a los circuitos internos. Asegúrese de que se extrae la energía del detector antes de limpiar la unidad. No hacerlo puede resultar en enfermedad o muerte.

## 6.2 limpieza

La limpieza de las superficies externas se lleva a cabo mejor con un paño húmedo con un detergente suave o jabón. Use una aspiradora con cepillo suave para eliminar el polvo o la contaminación debajo de la cubierta. No sople el sensor con aire comprimido.

## 7 ensayo

### advertencia

El uso de un gas certificado con una concentración distinta de la indicada para este detector al realizar una prueba de verificación de calibración (prueba de protuberancia) producirá lecturas inexactas. Esto significa que los niveles más altos del gas que se está monitoreando pueden estar presentes y podrían resultar en una sobreexposición. Para un uso adecuado, consulte el supervisor o el Manual del usuario, o comuníquese con soporte técnico al 1-844-325-3050.

Todas las unidades CX-xx están calibradas de fábrica y 100% probadas para un funcionamiento adecuado. Durante el funcionamiento normal, la luz LED del indicador de estado verde estará encendida de forma constante, el ventilador y el relé de alarma estarán en modo de espera y la salida de 4-20 mA estará a 4mA (en aire limpio). La unidad también realiza una autodiagnóstica automática regular durante el funcionamiento normal. Si la unidad detecta un voltaje incorrecto o un componente inoperable, entrará por defecto en el modo error. En este modo de error, se activará el relé de alarma, el bucle de corriente de 4-20 mA irá a 24 mA, la unidad mostrará el código de error, la luz LED del indicador de estado verde parpadeará y el zumbador chirriará intermitentemente. El relé del ventilador también se activará si la opción de configuración del ventilador problemático se establece en "ON".

## 7.1 ensayo

### 7.1.1 Prueba de operación

Compruebe que la luz LED indicadora de estado cx-xx verde se ilumine continuamente. Si no es así, no proceda con las pruebas. Si la unidad está en modo de error, póngase en contacto con su representante local o con el representante del servicio técnico de Macurco para obtener información sobre cómo resolver el problema.

1. Desmonte el tornillo único en el centro de la cubierta frontal del CX-xx.
2. Desmonte la cubierta delantera.
3. Observe la luz LED en la parte frontal del CX-xx.
4. Si la luz es de color verde sólido, continúe con el paso 6.
5. Si la luz LED del indicador de estado verde está apagada o parpadeando, consulte la sección General anterior.
6. Pulse **Intro**.
7. El CX-xx pasará por una prueba de ciclo:
  - a. La pantalla progresa a través de la bUZ (Buzzer Test) Art (prueba de relé de alarma), Frt (prueba de relé de ventilador) y luego 42t. C y 42t.n (prueba de salida de 4-20 mA). Asegúrese de que la configuración está "en" o no deshabilitado "diS".



prueba	descripción	Longitud de la prueba	Monitor
Buz	Prueba del zumbador	3 segundos	Parpadea "bUZ"
arte	Prueba de relé de alarma	5 segundos	Destellos "Arte"
Frt	Prueba de relé del ventilador	60 segundos	Parpadeos "Frt"
42t. C	Prueba de 4-20 mA para CO	130 segundos	Destellos "42t. C"
42t.n	Prueba de 4-20mA para NO <sub>2</sub>	130 segundos	Parpadeó "42t.n"

Figura 7-1 - Tabla de modo de prueba de operación

b. Al final del ciclo de prueba, el ventilador y el relé de alarma estarán en modo de espera y la salida de 4-20 mA volverá a 4 mA (en aire limpio).

8. Una vez completadas las pruebas, vuelva a montar la unidad.

### 7.1.2 Prueba de operación manual

Esta opción ofrece al usuario la oportunidad de iniciar manualmente una prueba individual para cada relé, la salida analógica y la respuesta del sensor al gas.

Para iniciar una prueba de operación manual,


1. Desde el modo de operación normal, presione **Siguiente** 2 veces para llegar al Modo de prueba (tSt).
2. Pulse **Intro** una vez para entrar en el menú de prueba.
3. Pulse **Siguiente** para desplazarse por las seis opciones de prueba.

prueba	descripción	Longitud de la prueba	Monitor
Buz	Prueba del zumbador	3 segundos	Parpadea "bUZ"
arte	Prueba de relé de alarma	5 segundos	Destellos "Arte"
Frt	Prueba de relé del ventilador	60 segundos	Parpadeos "Frt"
42t. C	Prueba de 4-20 mA para CO	130 segundos	Destellos "42t. C"
42t.n	Prueba de 4-20 mA para NO <sub>2</sub>	130 segundos	Parpadea "42t.n"
Gts	Prueba de gas	180 segundos	Parpadea en una secuencia de lectura gtS, CO (indicada por C al principio) y lectura de NO <sub>2</sub> (indicada por n al principio). No hay salida al panel durante la prueba de gas.

Cuadro 7-2 – Tabla de modo de prueba de la operación manual

4. Pulse **Intro** para iniciar la prueba seleccionada. Tenga en cuenta que si se ha desactivado el relé o la salida de 4 a 20 mA, la selección de prueba no se mostrará en el menú de prueba.
5. Una vez completada la prueba, la pantalla volverá a la pantalla constante. Para salir del menú de prueba, presione el botón **Siguiente** hasta que se muestre "Fin". A continuación, pulse **Intro** para volver al modo normal.

## 7.2 Kits de calibración y prueba

 advertencia
<p>Se deben realizar los siguientes pasos al realizar una prueba de verificación de calibración (prueba de protuberancia) para garantizar el correcto rendimiento del monitor. No hacerlo puede afectar negativamente al rendimiento del producto.</p> <ul style="list-style-type: none"><li>• Al realizar una prueba de verificación de calibración (prueba de protuberancia) utilice únicamente gas de calibración certificado al nivel de concentración requerido.</li><li>• No pruebe con gas de calibración caducado.</li><li>• No cubra ni obstruya la pantalla ni la cubierta de alarma visual.</li><li>• Asegúrese de que las entradas del sensor no estén obstruidas y libres de desechos</li></ul> <p>El incumplimiento de las instrucciones descritas en este manual de usuario puede resultar en enfermedad o muerte.</p>

- Al realizar una prueba de calibración o verificación de calibración (prueba de protuberancia) utilice únicamente gas de calibración certificado al nivel de concentración requerido. No calibre con gas de calibración caducado.
- Si el instrumento no se puede calibrar, no lo use hasta que se pueda determinar y corregir la razón.
- No cubra ni obstruya la pantalla ni la cubierta de alarma visual.
- Asegúrese de que las entradas del sensor no estén obstruidas y estén libres de desechos

Se necesita un kit de calibración de campo, cal-kit 2 y dos botellas de gas de calibración para completar la prueba de gas. Estos están disponibles a través de la distribución local o de Macurco.

**NOTA:** CX-xx debe ser probado o calibrado a intervalos regulares de acuerdo con los requisitos de la Asociación Nacional de Protección contra Incendios (NFPA) 720 o los requisitos del código local. Se recomienda probar o calibrar CX-xx al menos una vez al año.

### Contenido del Cal-Kit 2

- Cal-Kit 2(30-0021-1110-1)
  - Caso de calibración
  - Dos pies de tubo Tygon
  - Cal Hood-Macurco Pack
  - 0.2 Regulador de gas LPM (M)

También se necesitan las siguientes botellas de gas de calibración (se venden por separado):

- Cantidad 1 CO-200PPM-AL (70-0714-0531-4) Monóxido de carbono CO Cal Gas Cilindro de aluminio 34L 200 ppm (F)

- Cantidad 1 NO<sub>2</sub>-5PPM-AL (70-0714-0531-3) Dióxido de nitrógeno NO<sub>2</sub> Cal Gas Cilindro de aluminio 34L 5 ppm (F)

### Cal-Kit 2 Información

Varios detectores se pueden calibrar con un Cal-Kit. La única limitación es la cantidad de gas en el cilindro. El cilindro de 34 litros tiene aproximadamente 170 minutos de tiempo de ejecución de calibración continua. El cilindro de gas debe reemplazarse cuando el manómetro del regulador muestra 25 psi o menos.

**Nota:** Para obtener resultados óptimos de las pruebas, se sugiere que la unidad esté en aire limpio, con luz verde encendiéndose y en un flujo de aire ambiente bajo.

Es fundamental realizar la reducción a cero del sensor en aire limpio. En la situación o aplicación en la que no se puede garantizar la ausencia de gas objetivo (CO o NO<sub>2</sub>), se sugiere utilizar gas de calibración de aire cero (20,9% denitrógeno de equilibrio O<sub>2</sub>) para la reducción a cero del sensor.

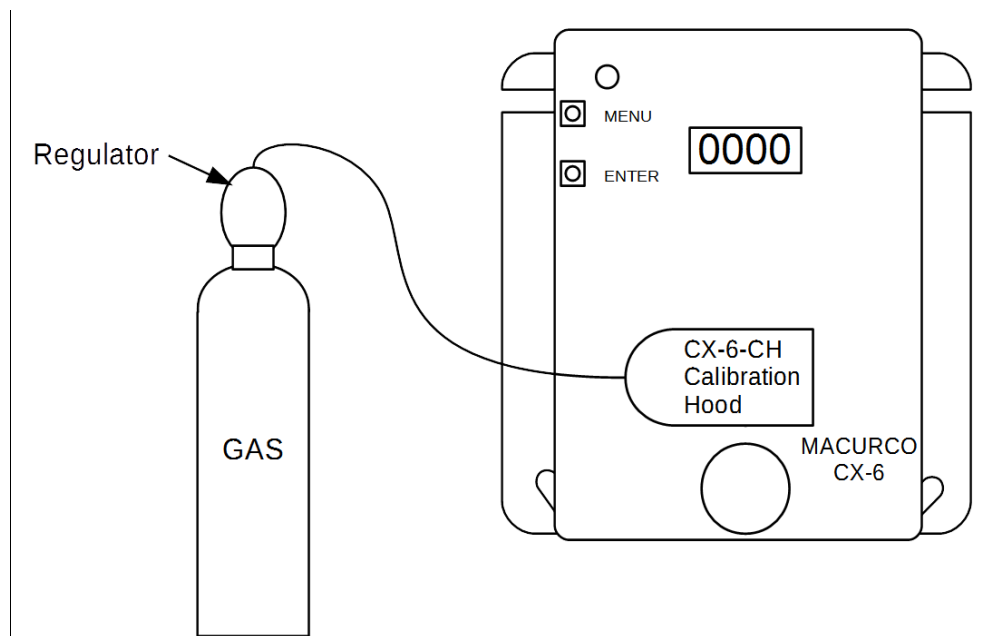


Figura 7-1 - Conexión del kit de calibración

## 7.3 Pruebas de gas

### 7.3.1 Prueba del relé del ventilador

1. Desmonte el tornillo Philips en la parte frontal del CX-xx. Desmonte la cubierta delantera.
2. Abra el FCK. Conecte el cilindro de gas al regulador.
3. Compruebe el manómetro del regulador. Si tiene 25 psi o menos, deberá reemplazar el bote de gas.
4. Monte el regulador, la manguera y la campana de calibración y coloque la campana de calibración sobre el sensor que se va a probar.

**NOTE:** El tiempo para activar el relé del ventilador depende de la configuración de retardo del relé del ventilador "Frd".

5. Encienda el regulador para iniciar el flujo de gas y espere con el gas aplicado continuamente.

6. Con la función de visualización activada, el CX-xx parpadeará entre la concentración actual de CO y NO<sub>2</sub>, o "0" (cero) en aire limpio. Cuando la concentración de gas alcanza el ajuste de relé del ventilador, la pantalla parpadeará entre "FAn" y "lectura de gas actual". Con la función de visualización desactivada, la pantalla no muestra la concentración de gas, pero mostrará "FAn" mientras el relé del ventilador está activado.

**NOTE:** Si el Fan Relay no se cierra en 2 minutos, hay cuatro posibilidades:

- a. El cilindro de gas está vacío, compruebe el manómetro. Sustituya el cilindro de gas si es de 25psi o menos.
  - b. La unidad necesita ser recalibrada (pasar por la recalibración y la re-prueba).
  - c. El detector necesita mantenimiento (unidad de retorno a la fábrica para el mantenimiento).
  - d. El detector tiene el relé Fan Rconfigurado para desactivar ("diS") o un nivel de concentración más alto que el gas de prueba. Ajuste el relé Fan Ra una concentración de gas inferior al gas de prueba y repita la prueba.
7. Retire el gas del sensor. Proceda a probar el relé de alarma o reemplace la cubierta superior.

### 7.3.2 Prueba del relé de alarma

1. Conecte el cilindro de gas al regulador.
2. Compruebe el manómetro. Si hay 25psi o menos el cilindro debe ser reemplazado.
3. Coloque la campana de calibración sobre el sensor.
4. Encienda el regulador para iniciar el flujo de gas. El relé de alarma debe activarse de acuerdo con la configuración.
5. Con la función de visualización activada y la concentración de gas alcanzando el ajuste de relé de alarma, la pantalla parpadeará entre "ALr" y "lectura de gas actual". El zumbador sonará indicando "Alarma" si el zumbador está encendido. Con la función de visualización apagada, la pantalla no muestra la concentración de gas, pero mostrará "ALr" cuando se active el relé de alarma.

**Nota:** Si el relé de alarma no funciona en 2 minutos, hay cuatro posibilidades:

- a. Cilindro de gas es empty. Compruebe el manómetro. Sustituya el cilindro de gas si es de 25 psi o menos.
  - b. La unidad necesita ser recalibrada (pasar por la recalibración y la re-prueba).
  - c. El detector necesita mantenimiento (unidad de retorno a la fábrica para el mantenimiento).
  - d. El detector tiene el relé de alarma configurado para desactivar ("diS") o un nivel de concentración superior al gas de prueba. Ajuste el relé de alarma a una concentración de gas inferior al gas de prueba y repita la prueba.
6. Retire el gas del sensor después de la prueba. Proceda a probar la salida de 4-20 mA o reemplace la cubierta superior.

### 7.3.3 Probando el bucle 4-20mA

1. Asegúrese de que el modo 4-20mA esté establecido en "High" para esta prueba.
2. Conecte el cilindro de gas al regulador.

3. Compruebe el manómetro. Si hay 25 psi o menos, el cilindro debe ser reemplazado.
4. Coloque la tapa del regulador sobre el sensor. Encienda el regulador para iniciar el flujo de gas.
5. El relé del ventilador debe activarse de acuerdo con la configuración.
6. El relé de alarma debe activarse de acuerdo con la configuración.
7. La salida de 4-20mA debería aumentar de 4mA en aire limpio a 20mA a 200 ppm de CO y 20mA a 20 ppm de NO<sub>2</sub>. Figura 3–1 Diagrama de salida de CO de y la Figura 3–2 Diagrama de salida de.

**Nota:** Si la salida de 4-20mA no aumenta en el plazo de 2 minutos, hay cuatro posibilidades:

- a. El cilindro de gas está vacío, compruebe el manómetro. Sustituya el cilindro de gas si es de 25 psi o menos.
  - b. La unidad necesita ser recalibrada (pasar por la recalibración y la re-prueba).
  - c. El detector necesita mantenimiento (unidad de retorno a la fábrica para el mantenimiento).
  - d. El detector tiene la opción 4-20 mA establecida en "OFF". Establezca la opción 4-20mA en "bAS" y repita la prueba.
8. Retire el gas del sensor. Vuelva a montar el CX-xx (asegúrese de que el LED esté alineado con el orificio de la caja frontal). Ya está.

#### 7.3.4 Prueba de monóxido de carbono en aerosol (solo monóxido de carbono)

El CME1-FTG es un gas de prueba de campo de monóxido de carbono en aerosol de 11L 500 ppm que se puede utilizar con el CX-xx. Este gas de prueba de campo permite a los instaladores realizar una prueba de funcionalidad rápida del sensor de CO. El caudal del CME1-FTG es de 10 Lpm por lo que tendrá aproximadamente un minuto de gas o lo suficiente para probar 20-30 sensores.

1. Las unidades a ensayar deben alimentarse continuamente durante un mínimo de 3 minutos antes de continuar.
2. Para obtener resultados óptimos de las pruebas, la unidad debe estar en aire limpio y en un flujo de aire ambiente bajo.
3. Compruebe que la luz indicadora de estado CX-xx esté iluminada, verde continuamente. Si no es así, no proceda con las pruebas. Consulte la sección 5.1 Diagnósticos a bordo
4. La opción de visualización debe establecerse en "On" y leer 0 ppm en aire limpio.
5. Con la cubierta CX-xx en, apunte la boquilla de la lata de aerosol en el área de la rejilla del sensor (debajo DE NO PINTAR) y presione durante 2 a 3 segundos.
6. Espere unos segundos. La pantalla digital debe subir indicando el aumento de la concentración de gas en el sensor confirmando un paso de la prueba rápida.

**Nota:** Si la pantalla no cambia en 10 segundos, hay cuatro posibilidades:

- a. Cilindro de gas está vacío, reemplazar el cilindro de gas.
  - b. La unidad necesita ser recalibrada (pasar por el Procedimiento de Calibración de Campo y volver a probar).
  - c. El detector necesita mantenimiento (unidad de retorno a la fábrica para el mantenimiento).
7. Espere a que la pantalla vuelva a 0 ppm y configure las opciones en la configuración deseada.

## 7.4 Procedimiento de calibración de campo

**NOTA:** Para obtener resultados de calibración óptimos, la unidad debe estar en aire limpio y en un flujo de aire ambiente bajo.

CX-xx tiene un menú de nivel superior "CAL" que se puede utilizar para realizar una calibración de campo. "tSC.C", "tSC.n", "000.C", "000.n", "Spn.C", "Spn.n" y "End" son submenús dentro del menú "CAL".

- **"tSC.C" y "tSC.n"** son de sólo lectura y representan el tiempo transcurrido desde la última calibración de cada sensor. Seleccione cualquiera de los submenús y mostrará un valor en el formato YY.MM. "MM" son para los meses y "YY" para el año. Por ejemplo, si el valor es 00,05, han pasado cero años y 5 meses desde la última vez que se calibraron las unidades.
- **"000.C" y "000.n"** se utilizan para iniciar una calibración cero para cada sensor respectivo. Siga los procedimientos a continuación para realizar una calibración cero.
- **"Spn.C" y "Spn.n"** se utilizan para iniciar una calibración de intervalo para cada sensor respectivo. Siga los procedimientos que se indican a continuación para realizar una calibración de intervalo.
- **El submenú "Fin"** se utiliza para salir del menú "CAL".

Una calibración de campo completa requiere una calibración cero y una calibración de span. Una calibración cero proporciona un valor de referencia al exponer el sensor a aire limpio. Una calibración de span expone el sensor a una concentración conocida de gas de prueba.

#### 7.4.1 Calibración cero para el sensor de CO

Para realizar una calibración cero para el sensor de CO,

1. Presione **Siguiente** 3 veces para llegar al menú "CAL"
2. Pulse **Intro**. La pantalla mostrará "tSC. C".
3. Pulse **Siguiente** 2 veces para llegar a "000.C" y pulse **Intro**.
4. La pantalla parpadeará entre '000.C' y la lectura de CO actual, es decir, "C 0".
5. Después de aproximadamente 45 segundos, la calibración cero se ha completado. Para una puesta a cero correcta, la pantalla parpadeará entre "PAS. C" y el CO actual que dice "C 0". Si la calibración cero falla, la pantalla mostrará FAil.C.
6. El LED verde parpadea durante el proceso. Cuando el LED verde vuelve a sólido, la calibración se completa.

#### 7.4.2 Calibración cero para el sensor NO<sub>2</sub>

Para realizar una calibración cero para el sensor NO<sub>2</sub>,

1. Presione **Siguiente** 3 veces para llegar al menú "CAL"
2. Pulse **Intro**. La pantalla mostrará "tSC.C".
3. Pulse **Siguiente** 3 veces.
4. La pantalla mostrará "000.n". Pulse **Intro**.
5. La pantalla parpadeará entre '000.n' y la lectura actual de NO<sub>2</sub>, es decir, "n 0.0".
6. Después de aproximadamente 45 segundos, la calibración cero se ha completado. Para una reducción a cero correcta, la pantalla parpadeará entre "PAS.n" y la lectura actual de NO<sub>2</sub> "n 0.0". Si la calibración cero falla, la pantalla mostrará FAil. n.
7. El LED verde parpadea durante el proceso. Cuando el LED verde vuelve a sólido, la calibración se completa.

#### 7.4.3 Calibración de span para sensor de CO

Para realizar una calibración de intervalo para el sensor de CO,

1. Desmonte el tornillo Philips en la parte delantera del CX-xx. Tire de la cubierta delantera de la unidad.
2. Monte el cilindro de gas CO y el regulador juntos.
3. Compruebe el manómetro del regulador. Si tiene 25 psi o menos, deberá reemplazar el bote de gas.

4. Coloque la campana de prueba desde el regulador sobre el sensor de CO.
5. Presione **Siguiente** 3 veces para llegar al menú "CAL"
6. Pulse **Intro**. La pantalla mostrará "tSC.C".
7. Presione **Siguiente** 4 veces para "Spn. C" (CO).
8. Pulse **Intro**. La pantalla parpadeará entre "GAS. C" y "200".
9. Comience a aplicar gas al sensor.  
**Nota:** El sensor buscará el gas durante 90 segundos. Si no se aplica ni se detecta ningún gas en ese tiempo, la pantalla volverá a "CAL".
10. Cuando el sensor detecta el gas, la pantalla parpadeará entre la "concentración de gas" y "SPn. C", entonces la calibración progresará, y la pantalla mostrará el nivel de gas durante un máximo de 165 segundos.
11. Cuando la calibración es exitosa, la pantalla parpadeará entre la "concentración de gas" y "PAS. C", a continuación, la pantalla mostrará el nivel de gas de calibración y se realiza la calibración.
12. Si la calibración falla, la pantalla parpadeará entre la "concentración de gas" y "FAil.C". Si esto ocurre, compruebe el manómetro del regulador. Si la presión es inferior a 25 psi, el flujo de gas puede no ser adecuado para calibrar correctamente la unidad. Si hay una presión adecuada en el cilindro, repita los pasos del 4 al 6. Si la unidad no puede calibrar dos veces, comuníquese con asistencia técnica: 1-877-367-7891.
13. Una vez pasada la calibración, retire el capó de calibración y desmonte el cilindro y el regulador.
14. Vuelva a montar el CX-xx (asegúrese de que el LED esté alineado con el orificio de la caja frontal). La calibración se ha completado.
15. Consulte Diagrama de flujo de calibración en el interior de la carcasa.

#### 7.4.4 Calibración de span para el sensor NO<sub>2</sub>

Para realizar una calibración de span para el sensor NO<sub>2</sub>,

1. Desmonte el tornillo Philips de la parte delantera del CX-xx. Tire de la cubierta delantera de la unidad.
2. Monte el cilindro de gas NO<sub>2</sub> y el regulador juntos.
3. Compruebe el manómetro del regulador. Si tiene 25 psi o menos, deberá reemplazar el bote de gas.
4. Coloque la campana de prueba desde el regulador sobre el sensor no<sub>2</sub>.
5. Presione **Siguiente** 3 veces para llegar al menú "CAL"
6. Pulse **Intro**. La pantalla mostrará "tSC.C".
7. Pulse **Siguiente** 5 veces para "Spn.n" (NO<sub>2</sub>).
8. Pulse **Intro**. La pantalla parpadeará entre "GAS. n" y "5.0".
9. Comience a aplicar gas al sensor.  
**Nota:** El sensor buscará el gas durante 90 segundos. Si no se aplica ni se detecta ningún gas en ese tiempo, la pantalla volverá a "CAL".
10. Cuando el sensor detecta el gas, la pantalla parpadeará entre la "concentración de gas" y "SPn.n", luego la calibración progresará y la pantalla mostrará el nivel de gas durante un máximo de 165 segundos.
11. Cuando la calibración es exitosa, la pantalla parpadeará entre la "concentración de gas" y "PAS.n", luego la pantalla mostrará el nivel de gas de calibración y se realiza la calibración.
12. Si la calibración falla, la pantalla parpadeará entre la "concentración de gas" y "FAil.n". Si esto ocurre, compruebe el manómetro del regulador. Si la presión es inferior a 25 psi, el flujo de gas puede no ser adecuado para calibrar correctamente la unidad. Si hay una presión adecuada en el cilindro, repita los pasos del 4 al 6. Si la unidad no puede calibrar dos veces, póngase en contacto con soporte técnico: 1-844-325-3050.
13. Una vez pasada la calibración, retire el capó de calibración y desmonte el cilindro y el regulador.

14. Vuelva a montar el CX-xx (asegúrese de que el LED esté alineado con el orificio de la caja frontal). La calibración se ha completado.
15. Consulte Diagrama de flujo de calibración en el interior de la carcasa.



## 8 Apéndice A – Tabla de figuras

Figure 3–1 Diagrama de salida de CO de 6 series 4-20 mA.....	139
.....	13
Figure 3–2 6-Series 4-20 mA NO2 Diagrama de salida.....	149
.....	14
Figure 3–3 Vista trasera de la serie 6 .....	1410
.....	14
Figure 3–4 Instalación típica de la serie 6 .....	1510
.....	15
Figure 3–5 Dispositivos múltiples de la serie 6 .....	1511
.....	15
Figure 3–6 Panel de control de alarmas de la serie .....	166 11
.....	16
Figure 3–7 Panel de control 12 de la serie 6 .....	16DVP-120
.....	16
Figure 3–8 Panel de alarma alternativo de la serie 6 .....	1712
.....	17
Figure 3–9 6-Series Horn &Strobe Combo Wiring.....	1713
.....	17
Figure 3–10 12-Series 4-20 mA DIAGRAMA DE SALIDA DE CO .....	1915
.....	19
Figure 3–11 12-Series 4-20 mA NO2 Diagrama de salida.....	2015
.....	20
Figure 3–12 Vista trasera de la serie 12 .....	2016
.....	20
Figure 3–13 Instalación típica de la serie 12 .....	2116
.....	21
Figure 3–14 Diagrama de dispositivos múltiples de la serie 12 .....	2117
.....	21
Figure 3–15 Panel de control de alarmas de la serie 12.....	2218
.....	22
Figure 3–16 Panel de control 18 de la serie 12 .....	22DVP-120
.....	22
Figure 3–17 Panel de alarma alternativo de la serie 12 .....	2319
.....	23

Figure 3–18 12-Series Horn &Strobe Combo Wiring..... 2319  
..... 23

Cuadro 5-1 – Tabla de código de problema ..... 3732  
..... 37

Cuadro 5-2 - Tabla de conversión hexadecimal ..... 3733  
..... 37

Figura 5-3 - Ubicación del sensor de reemplazo ..... 3934  
..... 39

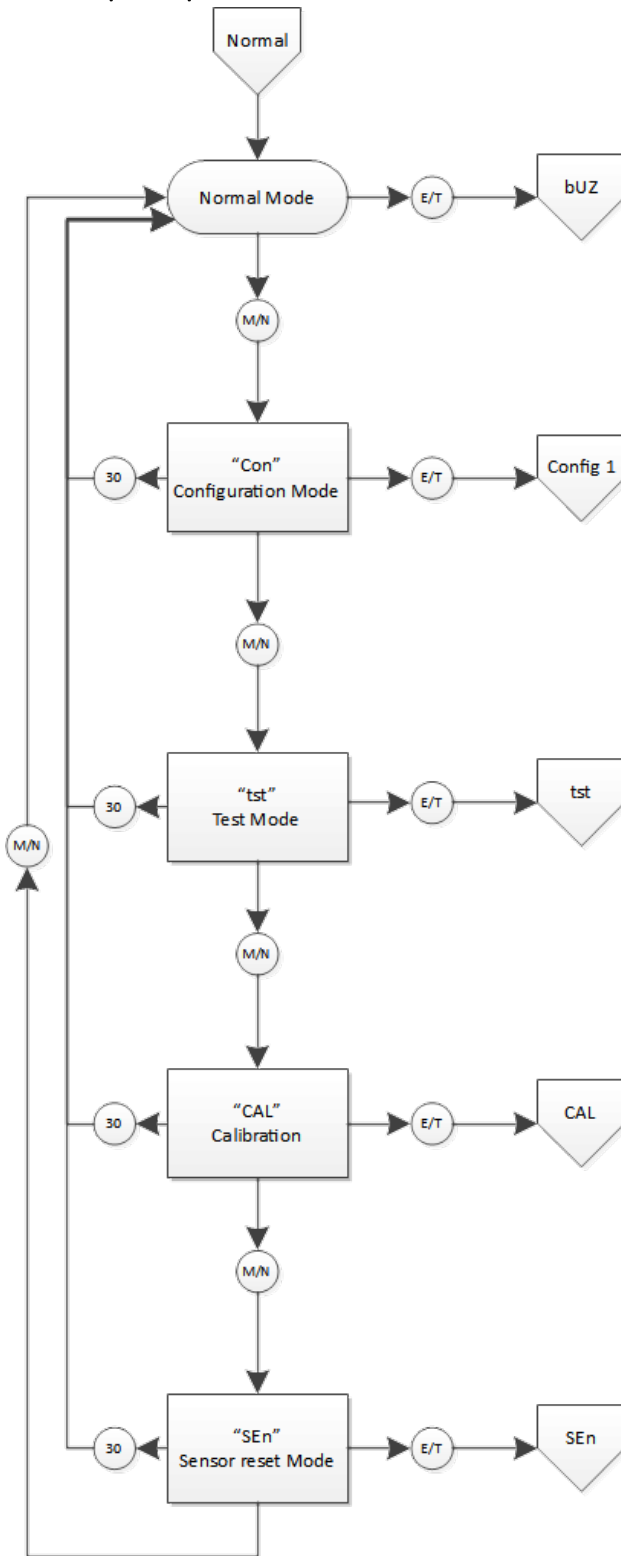
Figura 7-1 - Tabla..... 4237  
..... 42 del modo de prueba de operación

Cuadro 7-2 – Tabla..... 4237  
..... 42 del modo de prueba de la operación manual

Figure 7–1 - Conexión del kit de calibración ..... 4439  
..... 44




## 9 Apéndice B – Estructura de menú

### 9.1 Menú principal

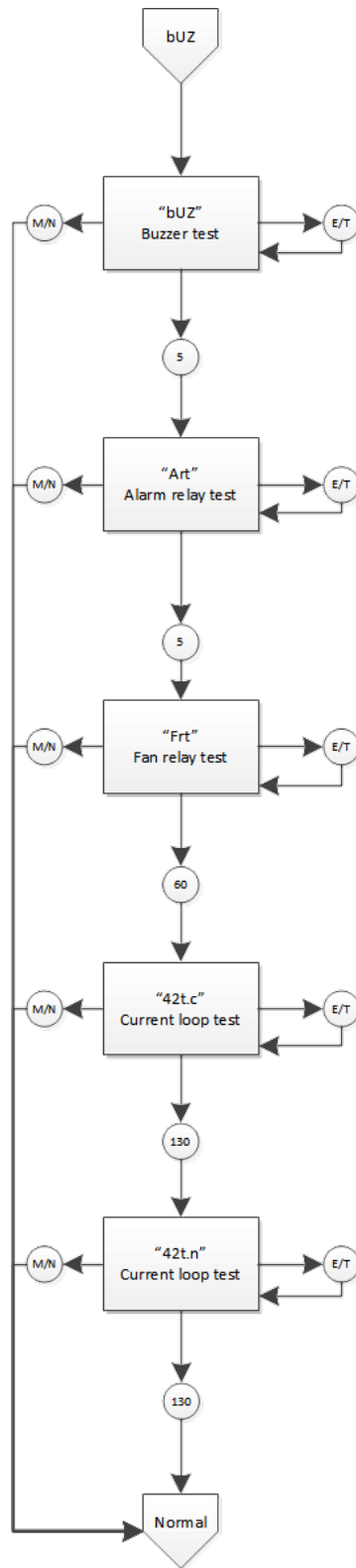


NOTES:  
1. Firmware version 2.01.

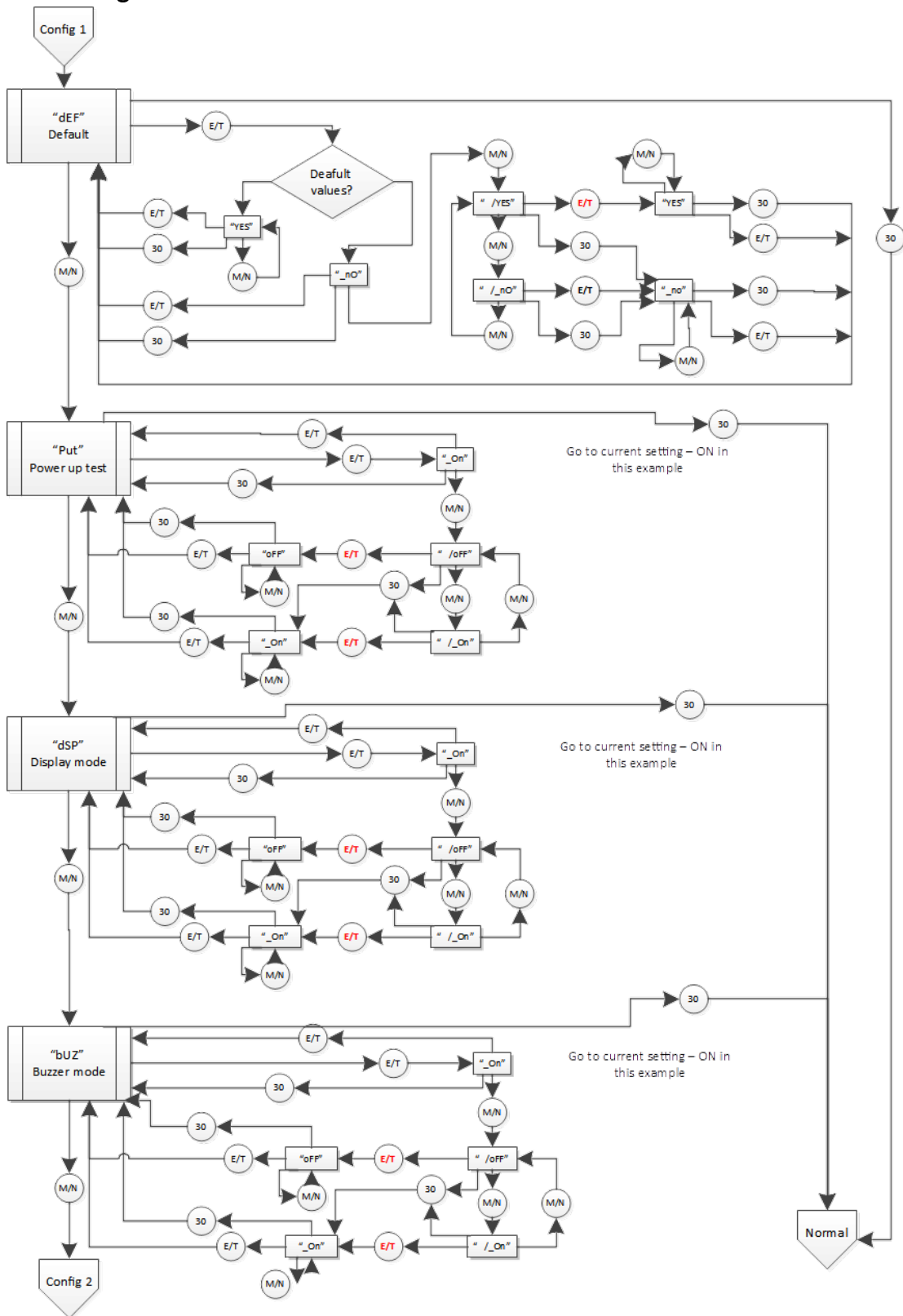
NOTES:  
1. Sensor settings are in the sensor settings spreadsheet. Any settings here are for demo purposes only.  
2. RED indicates where changes are made to the configuration.  
3. quotation marks are what is shown on the display. When there are two strings within quotation marks separated by a slash (e.g. " /\_On") this indicates display alternating between the strings.

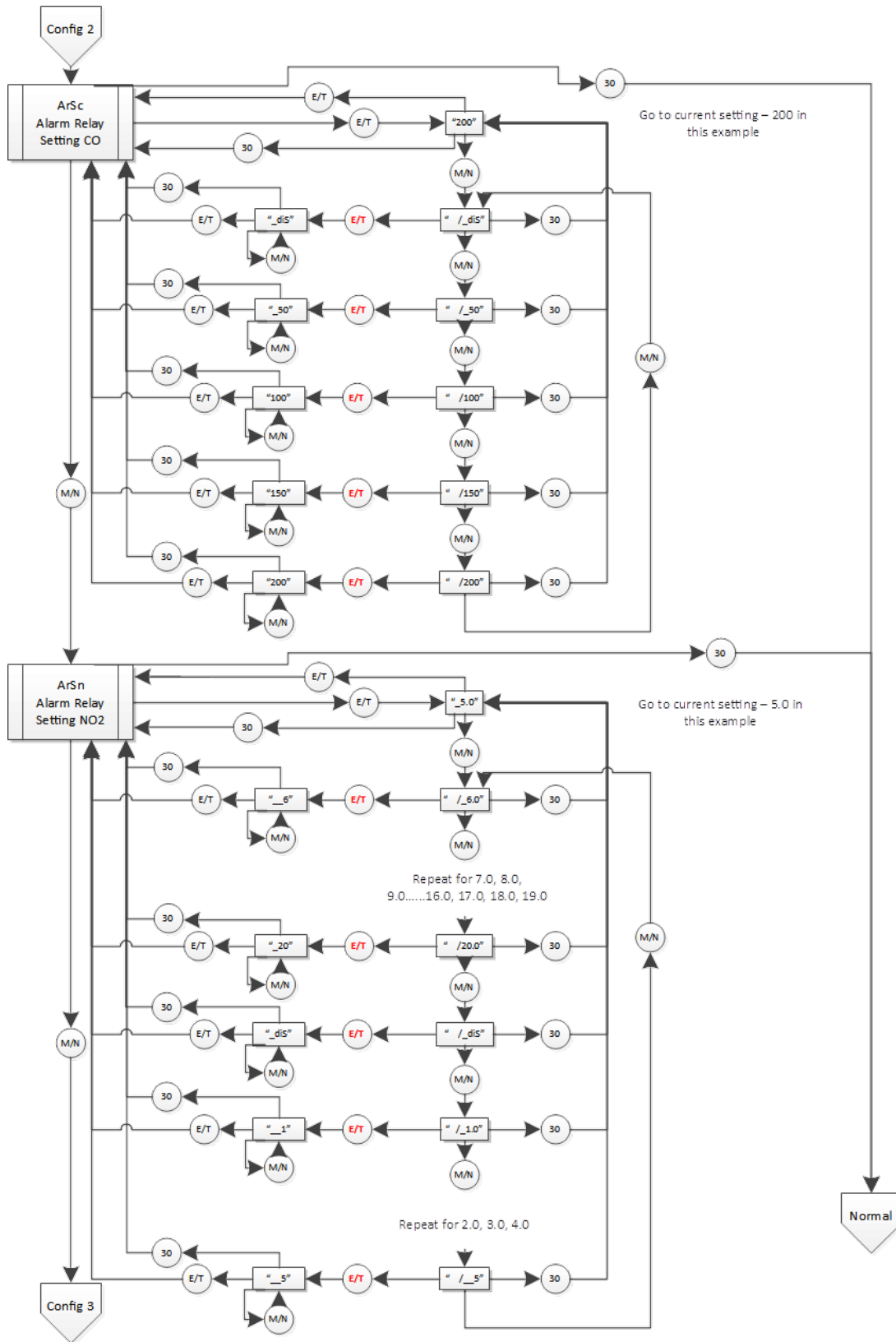
-  Menu / Next Button
-  Enter / Test Button
-  Wait for XX seconds

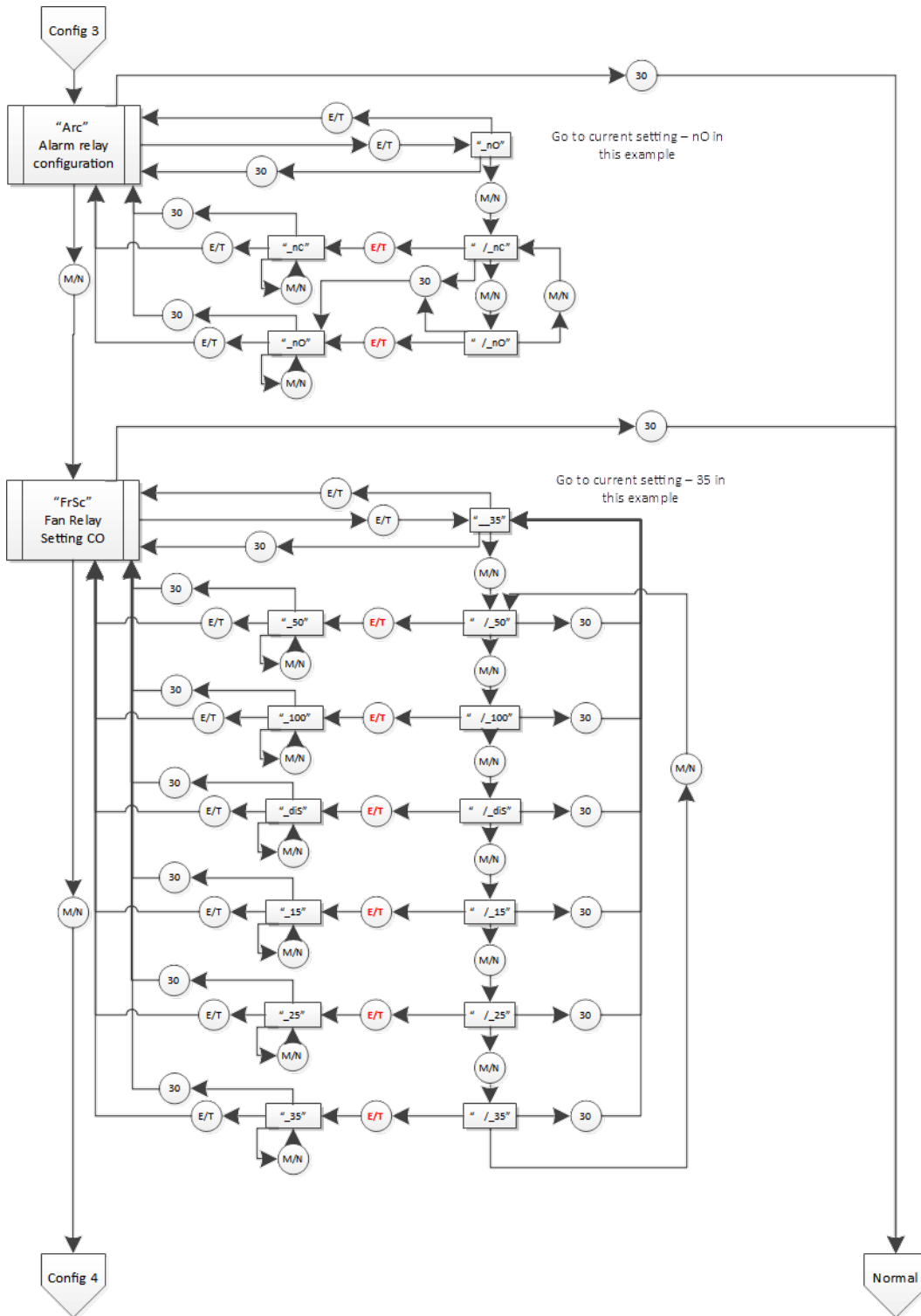
### 9.2 Menú de prueba automática "bUZ"

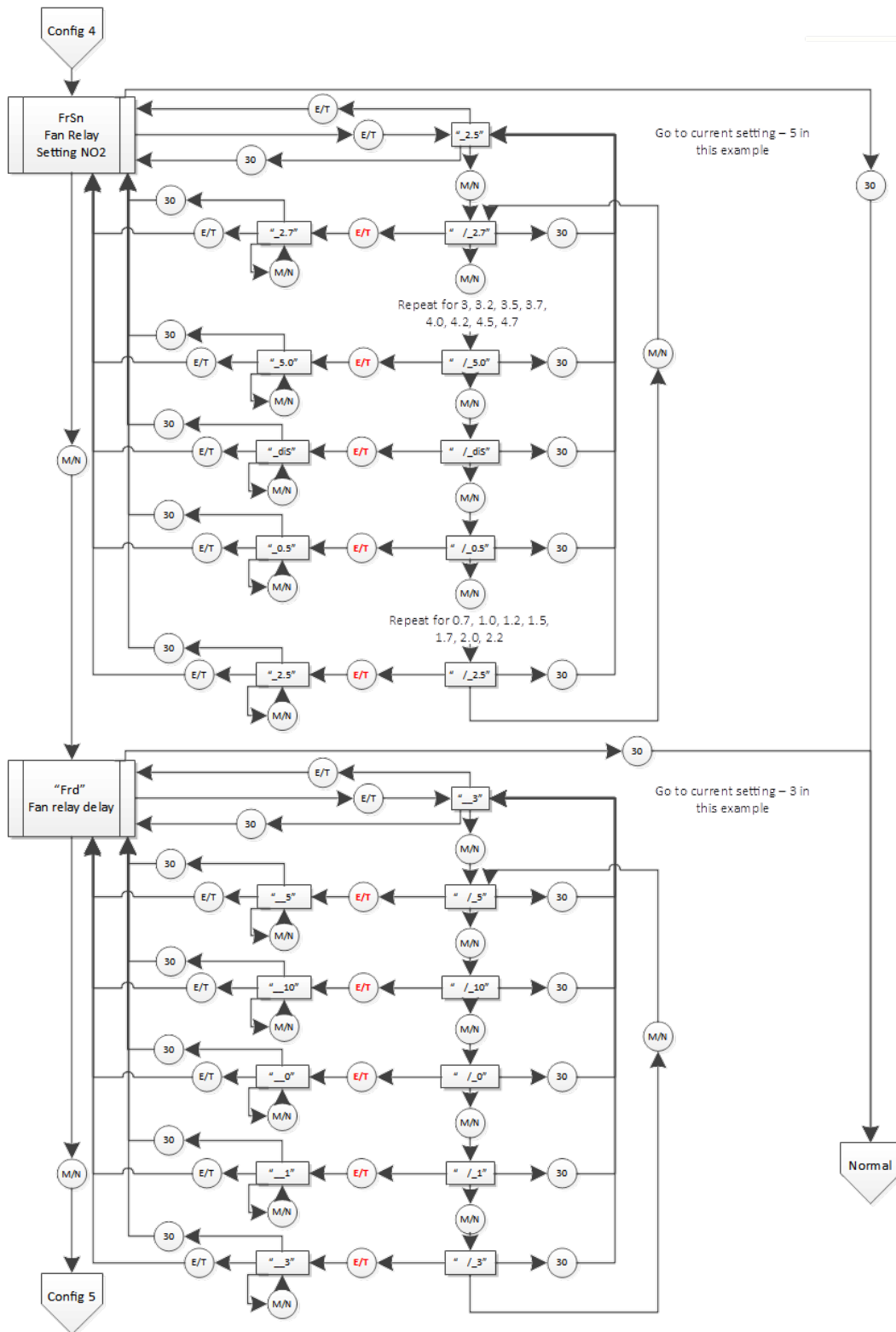


### 9.3 Menú de configuración "CON"

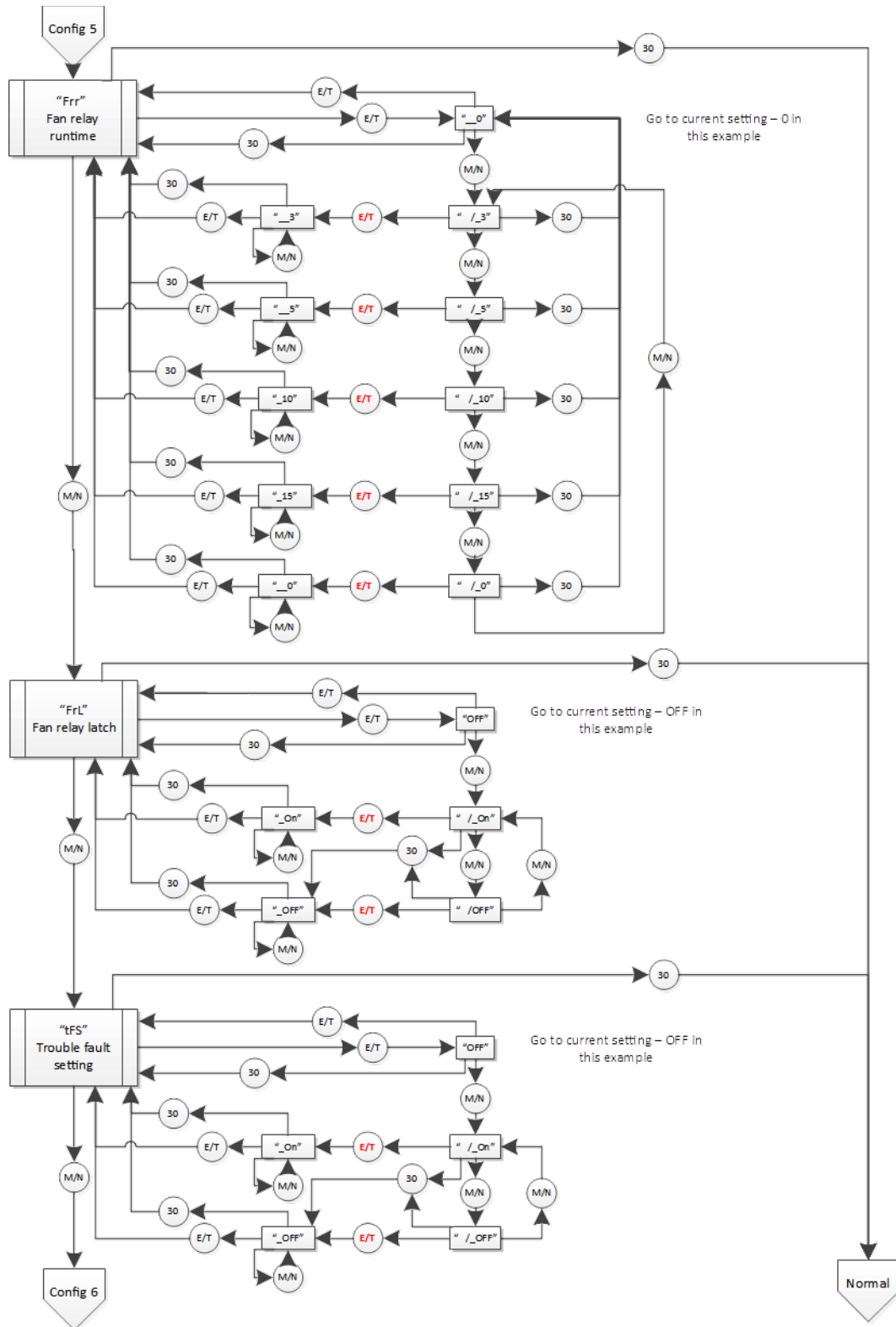


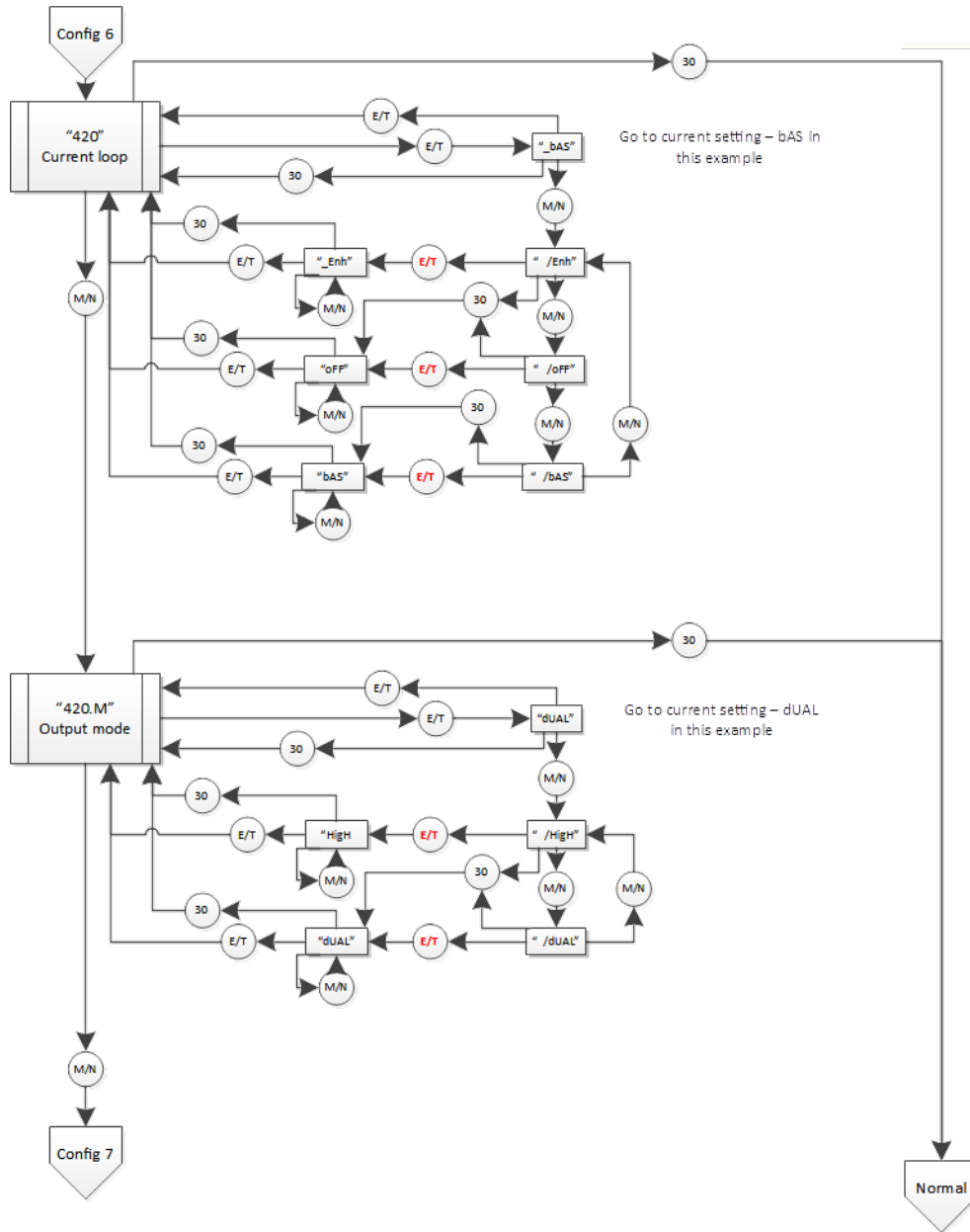


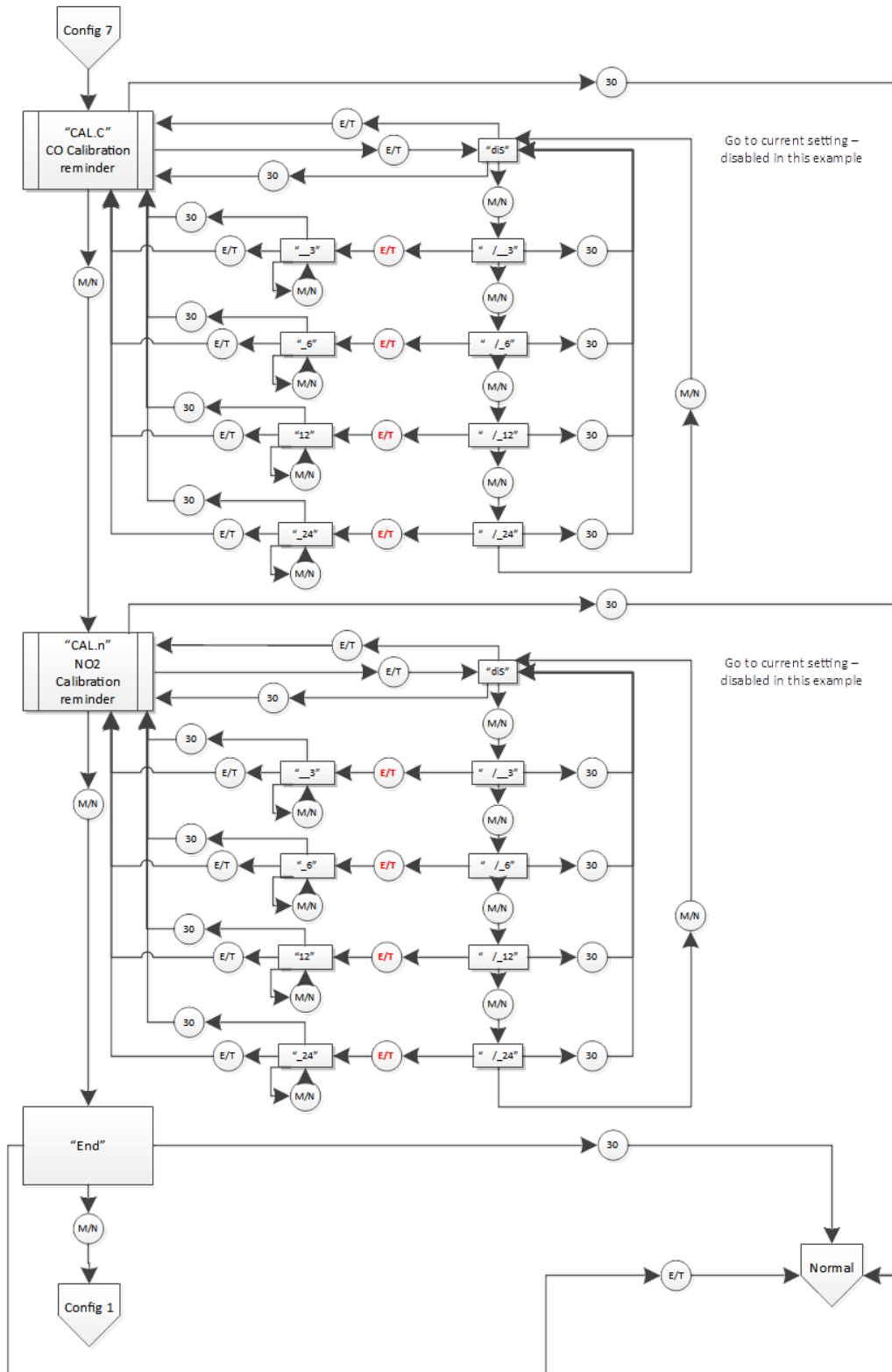




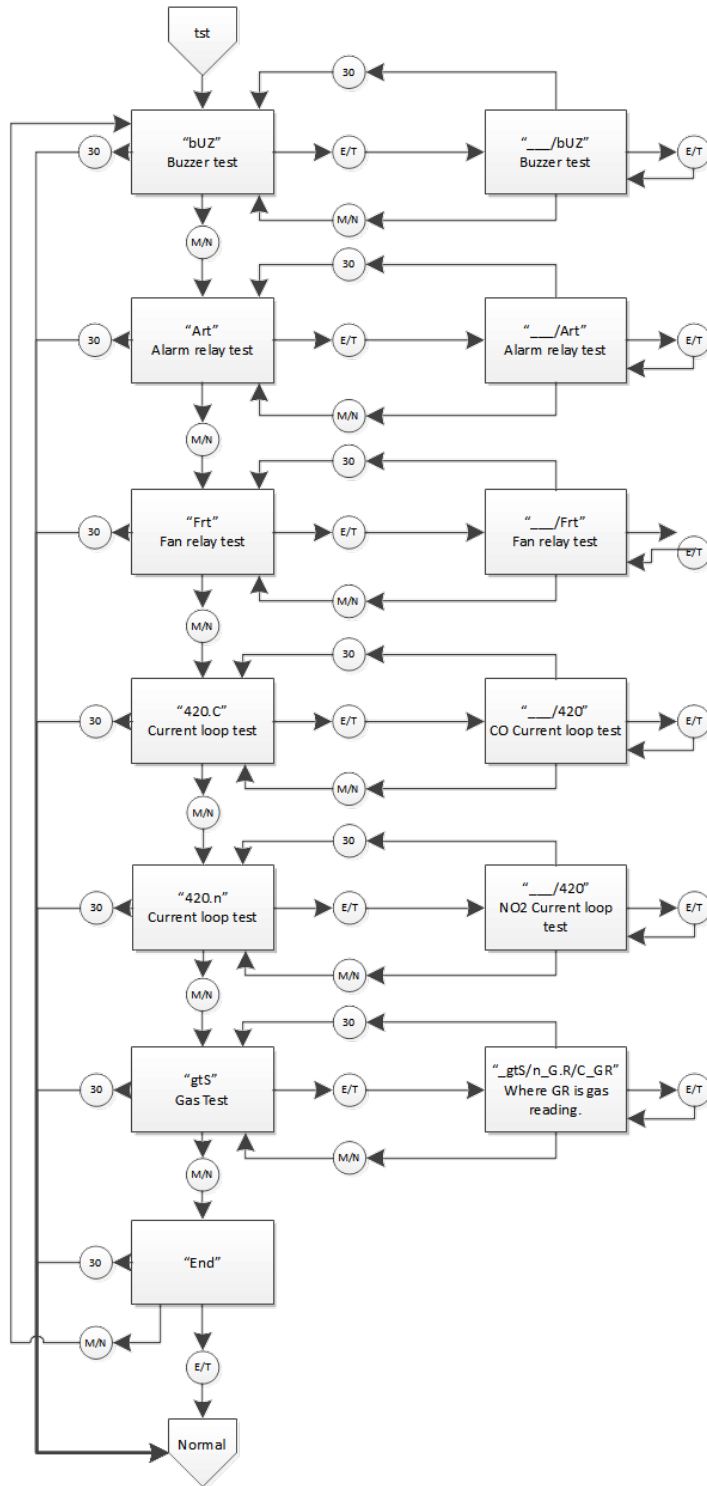




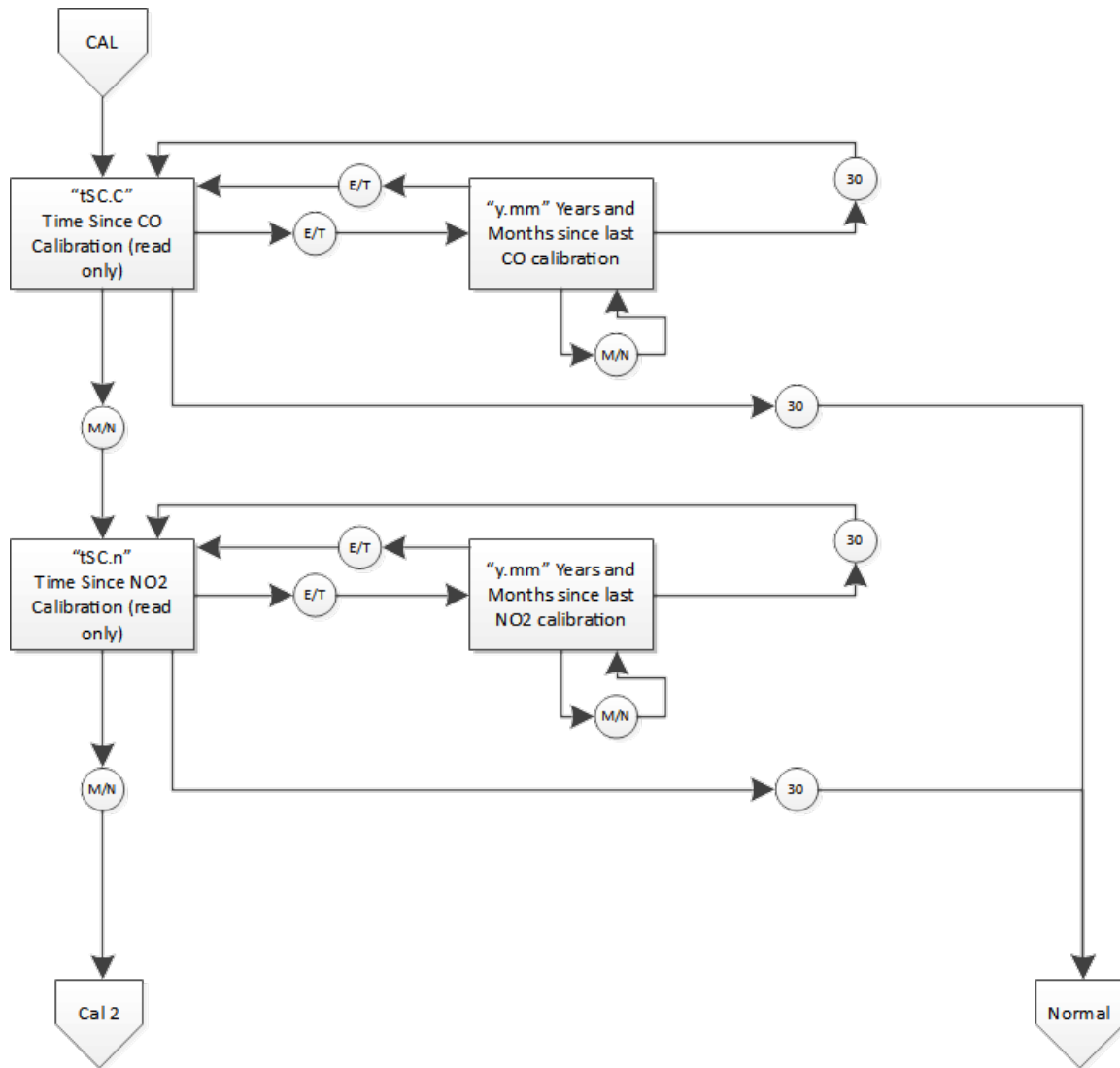


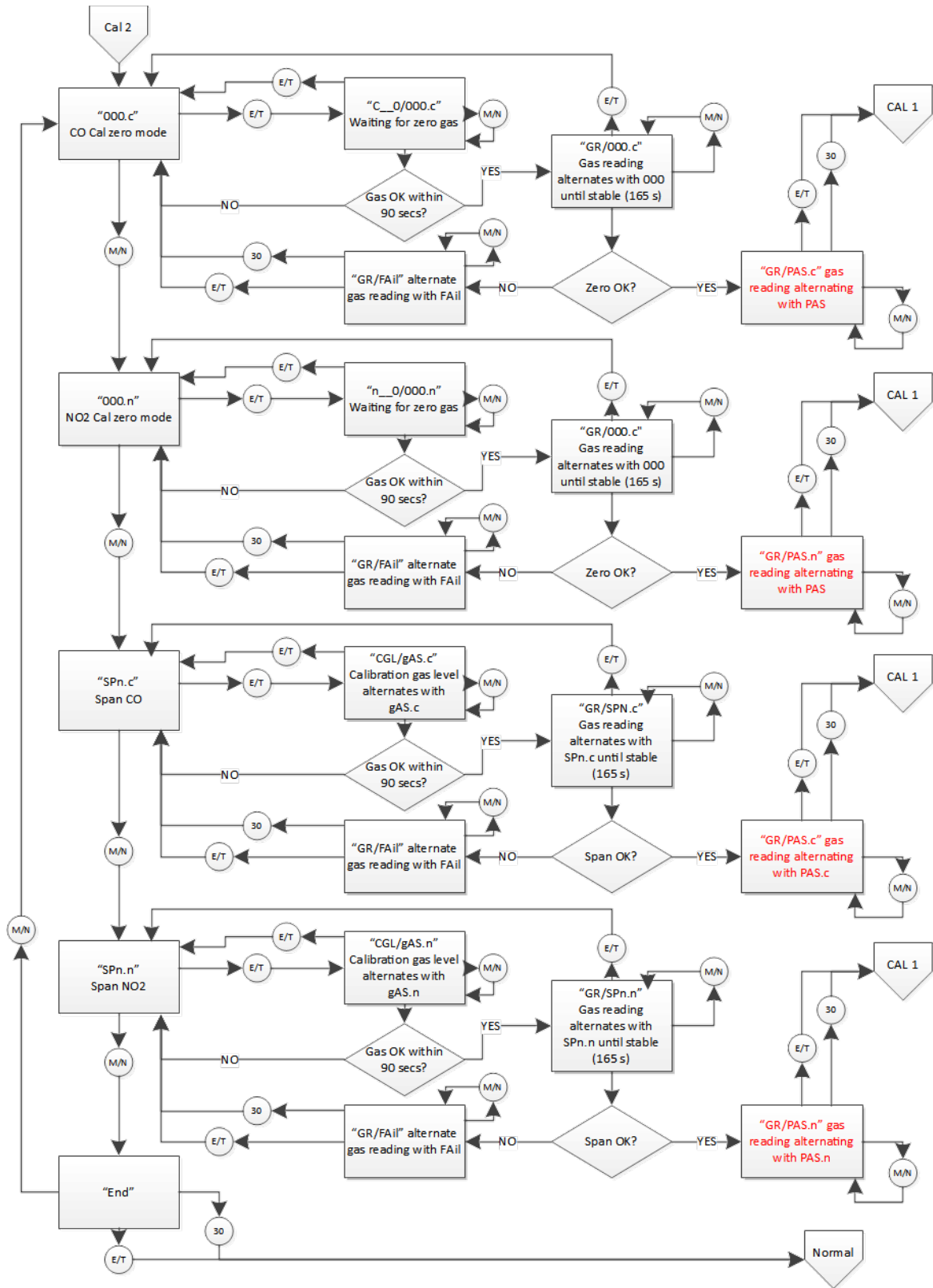


### 9.4 Seleccione el menú de prueba "tst"

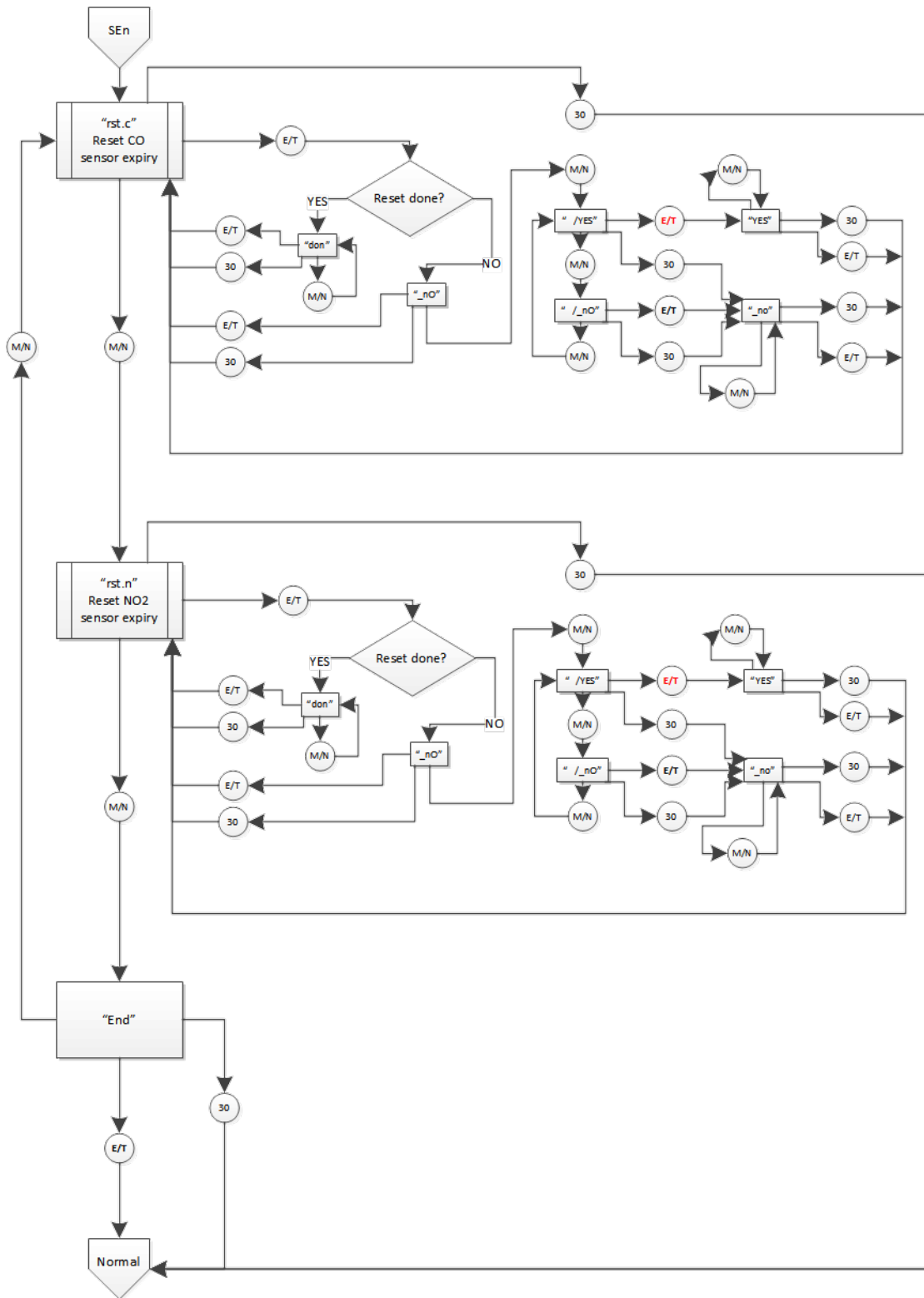


### 9.5 Menú CAL





### 9.6 Menú SEn



## 10 Macurco Gas Detection Product garantía limitada

Macurco garantiza que el detector de gas CX-xx estará libre de materiales defectuosos y mano de obra durante un período de dos (2) años a partir de la fecha de fabricación (indicado en una calcomanía en la PCB y en una etiqueta adhesiva en la parte posterior de la placa de montaje), siempre que se mantenga y utilice de acuerdo con las instrucciones y / o recomendaciones de Macurco. Si algún componente se vuelve defectuoso durante el período de garantía, será reemplazado o reparado de forma gratuita, si la unidad se devuelve de acuerdo con las instrucciones a continuación. Esta garantía no se aplica a las unidades que han sido alteradas o se ha intentado reparar, o que han sido objeto de abuso, accidental o de otro tipo. La garantía anterior sustituye a todas las demás garantías, obligaciones o responsabilidades expresas. LAS GARANTÍAS IMPLÍCITAS DE COMERCIABILIDAD E IDONEIDAD PARA UN PROPÓSITO PARTICULAR SE LIMITAN A UN PERÍODO DE DOS (2) AÑOS A PARTIR DE LA FECHA DE COMPRA. Macurco no será responsable de ningún daño incidental o consecuente por incumplimiento de esta o cualquier otra garantía, expresa o implícita, que surja de o esté relacionada con el uso de dicho detector de gas. La responsabilidad del fabricante o de su agente se limitará a la sustitución o reparación como se establece anteriormente. Los recursos únicos y exclusivos del Comprador son la devolución de los bienes y el reembolso del precio, o la reparación y sustitución de bienes o partes no conformes.

### Detección de gas macurco

3601 N. St. Paul Avenue  
Sioux Falls, SD 57104

#### Información de contacto de soporte técnico

**Teléfono:** 1-844-325-3050  
**Fax:** 1-605-951-9616  
**Correo electrónico:** support@macurco.com  
**Sitio web:** www.macurco.com/support/

#### Información general de contacto

**Teléfono :** 1-877-367-7891  
**Fax:** 1-605-951-9616  
**Correo electrónico :** info@macurco.com  
**Sitio web:** www.macurco.com

Rev – 1. 2.

Fecha de emisión: 6-23-2021

Nº de documento: 34-2900-0512-0

© Aerionics 2021. Todos los derechos reservados.

Macurco es una marca comercial de Aerionics, Inc.

