

MONOXIVENT[®]

Source Capture Systems

Operation and Maintenance Manual

15320 Telescopic Arm



MONOXIVENT - SOURCE CAPTURE SYSTEMS

1306 Mill St., Rock Island, IL 61201
877-608-4383 - info@monoxivent.com
monoxivent.com

Model 15320 Telescopic Arm Installation & Maintenance Instructions

- 1.** Read and understand all instructions prior to starting installation
- 2.** Inspect all equipment when delivered. Report and indicate any damage on freight bill.
- 3.** Remove packing material from the telescopic arm and inspect for hidden damage. If any hidden damage is found, notify the freight carrier immediately and arrange for the carrier to make an inspection.
- 4.** Install the telescopic arm in a location as directed by the owner. The wall bracket must be mounted to rigid building structural support members. Install the wall bracket at a height suitable to allow for full arm articulation and area coverage. The wall bracket must be installed plumb and level.
- 5.** Attach pre-assembled telescopic arm to wall bracket using the enclosed hardware. Make sure that the gap in the black nylon swivel ring is closed before tightening hardware.
- 6.** Check for proper arm articulation and rotation. Adjust friction pad pinch bolts at shoulder joint and nozzle as necessary.
- 7.** Slip flex hose over shoulder joint and nozzle and secure with the provided hose clamps.
- 8.** Again check for proper arm articulation and rotation. Remove hose and adjust as needed. Re-attach flex hose.

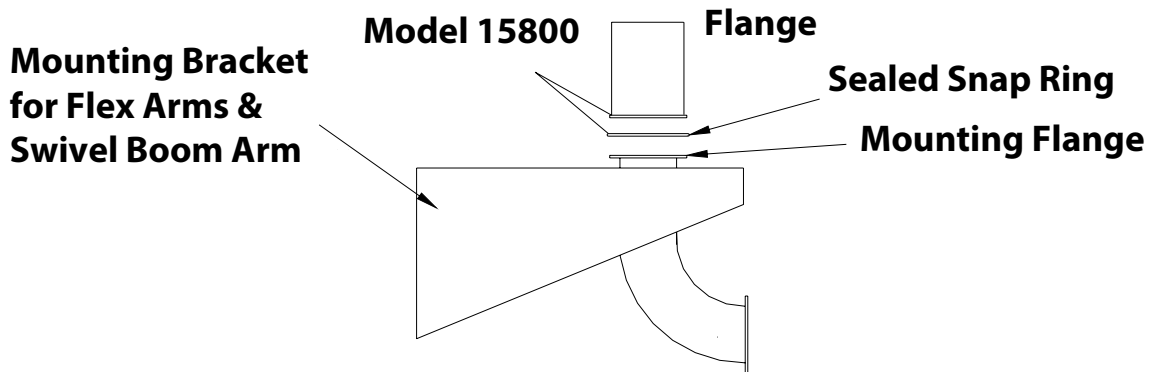
Operation

1. The 15320 telescopic arm will rotate 360 degrees around the swivel joint as well as articulate approximately 180 degrees at the shoulder joint. The nozzle will articulate up and down as well as side to side. The main feature of the 15320 arm is its' telescopic action. Simply pulling or pushing on the nozzle handle can adjust the length of the arm.
2. Before using the 15320 telescopic arm, open the damper in the nozzle.
3. Care should be taken when articulating the arm so as not to force the arm in a direction it was not meant to move, or damage will occur.

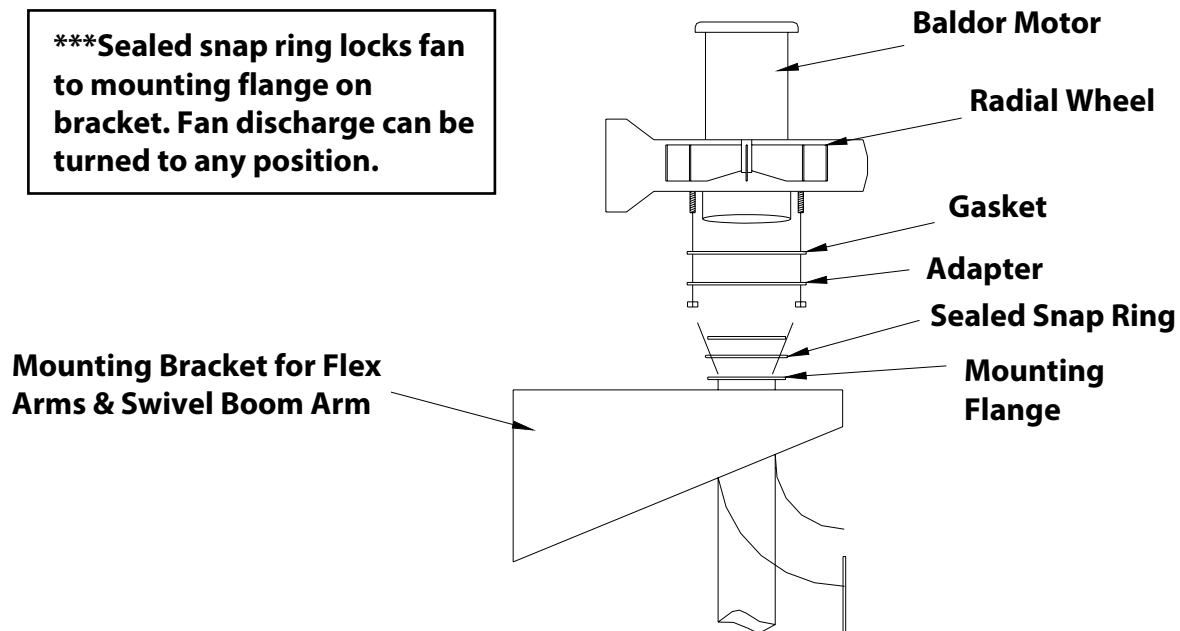
Maintenance

1. Check for proper operation of the swivel joint. Grease as necessary.
2. Adjust tension on pinch bolts at shoulder joint and nozzle joints as necessary for arm to hold position. Inspect friction pads for wear. Replace as required.
3. Inspect and clean flex hose. Replace flex hose if it shows signs of excessive wear, tearing, or pin holes.

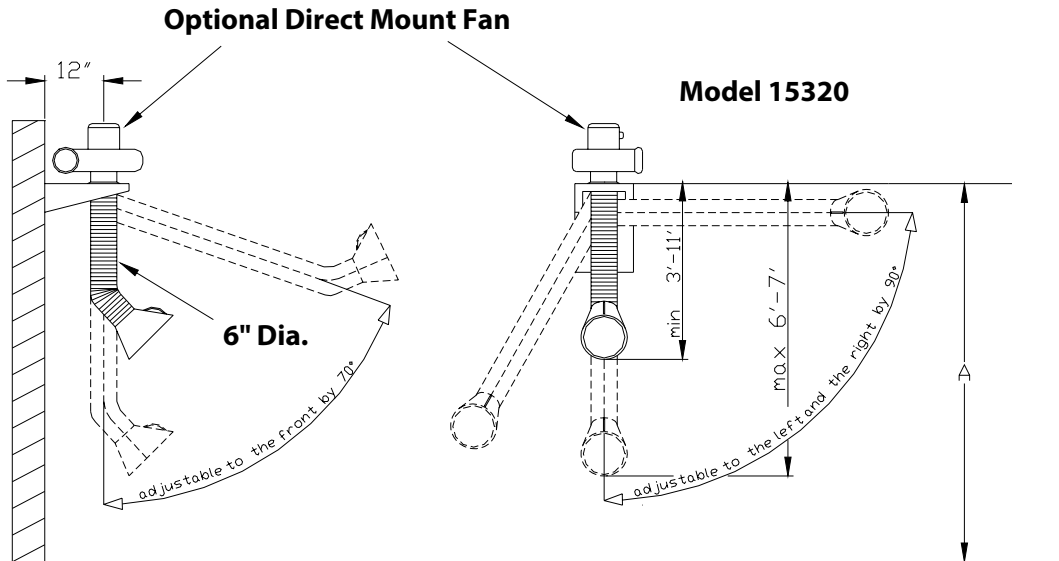
Connecting Hard Duct from Arm to Main Duct



Connecting Direct Mount Fan to Arm & Boom



Side/Front View



Exploded View

